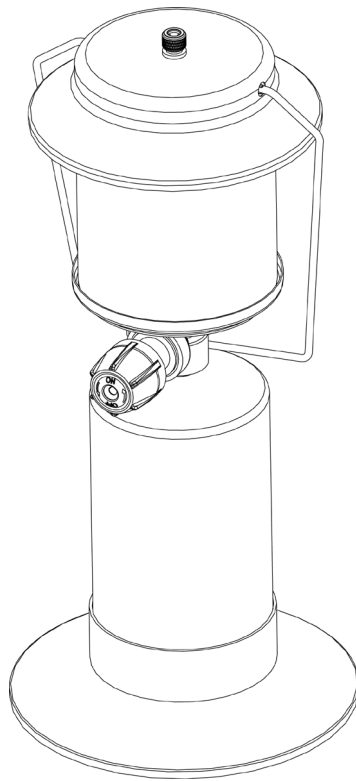




Outdoor LP Gas Lantern

Model No. GLL800W



 DANGER	CARBON MONOXIDE HAZARD
	<ul style="list-style-type: none"> • This appliance can produce carbon monoxide which has no odor. • Using it in an enclosed space can kill you. • Never use this appliance in an enclosed space such as a camper, tent, car or home.

 WARNING FOR YOUR SAFETY:
<p>For Outdoor Use Only (outside any enclosure)</p>

 WARNING FOR YOUR SAFETY:
<ol style="list-style-type: none"> 1. Improper installation, adjustment, alteration, service or maintenance can cause injury or property damage. 2. Read the installation, operation, and maintenance instructions thoroughly before installing or servicing this equipment. 3. Failure to follow these instructions could result in fire or explosion, which could cause property damage, personal injury, or death.

Save these instructions for future reference. If you are assembling this unit for someone else, give this manual to him or her to read and save for future reference.

Table of Contents	
Important Safeguards	Page 2
Exploded View & Hardware	3
Assembly Instructions	4
Operating Instructions	6
Connecting LP Gas Tank	6
Checking for Leaks	6
Lighting	6
Turning Off	6
Transporting	6
Cleaning and Care	6
Product Registration	7
Limited Warranty	7
Troubleshooting	7

The use and installation of this product must conform to local codes. In absence of local codes, use the *National Fuel Gas Code, ANSI Z223.1/NFPA 54, CAN/CGA-B149.1, Natural Gas and Propane Installation Code.*

California Proposition 65: Chemicals known to the State of California to cause cancer, birth defects, or other reproductive harm are created by the combustion of propane.



Manufactured in China for:
 Blue Rhino Global Sourcing, Inc
 Winston-Salem, NC USA
 1.800.762.1142, www.bluerhino.com

© 2008 Blue Rhino Global Sourcing, Inc. All Rights Reserved

DANGER



If you smell gas -

1. Do not attempt to light appliance.
2. Extinguish any open flame.
3. Disconnect from fuel supply.

WARNING



FOR YOUR SAFETY

Do not store or use gasoline or other liquids with flammable vapors in the vicinity of this or any other appliance.

▲ **DANGER:** Failure to follow the dangers, warning and cautions in this manual may result in serious bodily injury or death, or in a fire or an explosion causing damage to property.

▲ **WARNING:**

- ▲ This lantern is for outdoor use only, and shall not be used in a building, garage, or any other enclosed area.
- ▲ Do NOT operate, light or use this appliance within 8 feet of walls, structures or buildings.
- ▲ This lantern is NOT for commercial use.
- ▲ This lantern is for use with liquid propane (LP) gas only. The conversion to or attempted use of natural gas in this LP gas lantern is dangerous and will void your warranty.
- ▲ LP gas Characteristics:
 - a. LP gas is flammable and hazardous if handled improperly. Become aware of the characteristics before using any LP gas product.
 - b. LP gas is explosive under pressure, heavier than air, and settles and pools in low areas.
 - c. LP gas in its natural state has no odor. For your safety, an odorant is added that smells like rotten cabbage.
 - d. Contact with LP gas can cause freeze burns to skin.
- ▲ Do not store spare LP cylinder within 10 feet (3.05 m) of this appliance.
- ▲ An LP cylinder not connected for use shall not be stored in the vicinity of this or any other appliance.
- ▲ LP gas tank needed to operate. Only tanks marked "propane" may be used.
- ▲ The LP gas tank used with the lantern must be constructed and marked in accordance with the Specifications for LP-gas cylinders of the U.S. Department of Transportation (DOT) or *Transport Canada, CAN/CSA B339*.
- ▲ LP gas tank must be arranged for vapor withdrawal.
- ▲ Dented or rusted LP gas tanks may be hazardous and should be checked by your LP gas supplier prior to use.
- ▲ The LP gas tank should not be dropped or handled roughly.
- ▲ LP gas tanks must be stored outdoors out of the reach of children and must not be stored in a building, garage, or any other enclosed area. Your tank must never be stored where temperatures can reach over 125°F.
- ▲ Never attempt to attach this lantern to the self-contained LP gas system of a camper trailer, motor home, or house.
- ▲ The use of alcohol, or prescription or non-prescription drugs may impair the consumer's ability to properly assemble or safely operate the appliance.
- ▲ Never use lighter fluid, gasoline, kerosene, or alcohol with this product.
- ▲ Your lantern has been checked at all factory connections for leaks. Recheck all connections, as movement in shipping can loosen connections.
- ▲ Check for leaks even if your unit was assembled for you by someone else.
- ▲ Do not operate if gas leak is present. Gas leaks may cause a fire or explosion.
- ▲ You must follow all leak-checking procedures before operating. To prevent fire or explosion hazard when testing for a leak:
 - a. Always perform leak test before lighting the lantern and each time the tank is connected for use.
 - b. No smoking. Do not use or permit sources of ignition in the area while conducting a leak test.
 - c. Conduct the leak test outdoors in a well-ventilated area.
 - d. Do not use matches, lighters, or a flame to check for leaks.
 - e. Do not use lantern until any and all leaks are corrected. If you are unable to stop a leak, disconnect the LP gas supply. Call a gas appliance serviceman or your local LP gas supplier.
- ▲ Do not use in an explosive atmosphere. Keep lantern area clear and free from combustible materials, gasoline and other flammable vapors and liquids.
- ▲ Keep all combustible items and surfaces at least 21 inches (53 cm) away from the lantern at all times. DO NOT use this lantern or any gas product under any overhead or near any unprotected combustible constructions.
- ▲ It is essential to keep the lantern's valve compartment, burners, and circulating air passages clean. Inspect lantern before each use.
- ▲ Do not alter lantern in any manner.
- ▲ Do not use the lantern unless it is COMPLETELY assembled and all parts are securely fastened and tightened.
- ▲ This lantern should be thoroughly cleaned and inspected on a regular basis.
- ▲ Use only the regulator provided. The replacement regulator shall be that specified by the manufacturer.
- ▲ Use only Blue Rhino Global Sourcing, Inc. factory authorized parts. The use of any part that is not factory authorized can be dangerous. This will also void your warranty.
- ▲ Do not use this appliance without reading "Operating Instructions" in this manual.
- ▲ Do not touch metal parts of lantern until it has completely cooled (about 45 min.) to avoid burns, unless you are wearing protective gear (pot holders, gloves, BBQ mittens, etc.).
- ▲ Do not install or use in or on boats or recreational vehicles.
- ▲ When using, fire extinguishing materials shall be readily accessible.
- ▲ Do not use lantern in high winds.
- ▲ Never lean over the lantern when lighting.
- ▲ Do NOT use this lantern if any part has been under water. Immediately call a qualified service technician to inspect the appliance and to replace any part or control system and any gas control which has been under water.
- ▲ Do not leave a lit lantern unattended, especially keep children and pets away from lantern at all times.
- ▲ Allow the lantern to cool before storing.
- ▲ Storage of lantern indoors is permissible only if the tank is disconnected, removed from the lantern and properly stored outdoors.
- ▲ Do not attempt to disconnect the gas regulator from the tank or any gas fitting while the lantern is in use.
- ▲ Disconnect cylinder when not in use.
- ▲ Always use your lantern on a hard, non-combustible level surface. An asphalt or blacktop surface may not be acceptable for this purpose.
- ▲ Do not use directly on wooden decks and wooden picnic tables.
- ▲ Keep all electrical cords away from a hot lantern.
- ▲ Do not use lantern for indoor heating. TOXIC fumes can accumulate and cause asphyxiation.
- ▲ After a period of storage and/or nonuse, check for leaks, and burner obstructions.
- ▲ If lantern is not in use, the tank must be disconnected and stored in a proper location.
- ▲ Do not store a spare LP gas tank under or near this appliance.
- ▲ Please use protective gloves when assembling this product.
- ▲ Do not force parts together as this can result in personal injury or damage to the product.
- ▲ Deaths, serious injury or damage to property may occur if the above is not followed exactly.

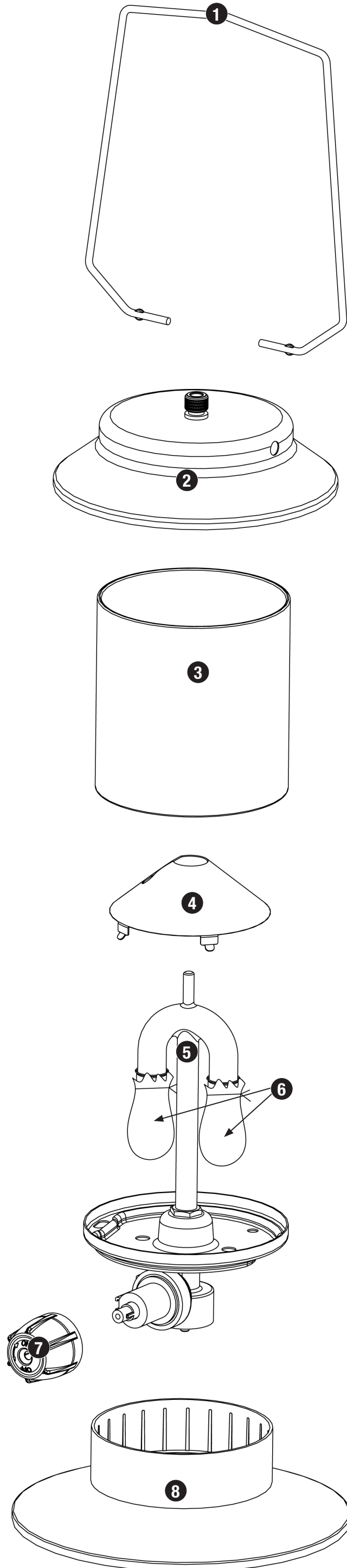
Contact 1.800.762.1142 for assistance. Do not return to place of purchase.

Parts List

1	Handle	55-09-291
2	Cap	55-09-288
3	Globe	55-09-294
4	Heat Shield	55-09-292
5	Engine Assembly/ Regulator*	55-09-290
6	Mantle (2)	55-09-293
7	Control Knob*	55-09-289
8	Base	55-09-287

* Pre assembled

Exploded View



Assembly Instructions

1

DO NOT RETURN PRODUCT TO STORE.

For assistance call **1.800.762.1142** toll free. Please have your owner's manual and serial number available for reference.

For Easiest Assembly:

- To avoid losing any small components or hardware, assemble your product on a hard level surface that does not have cracks or openings.
- Clear an area large enough to layout all components and hardware.
- When applicable, tighten all hardware connections by hand first. Once the step is completed go back and fully tighten all hardware.
- Follow all steps in order to properly assemble your product.

To complete assembly you will need:

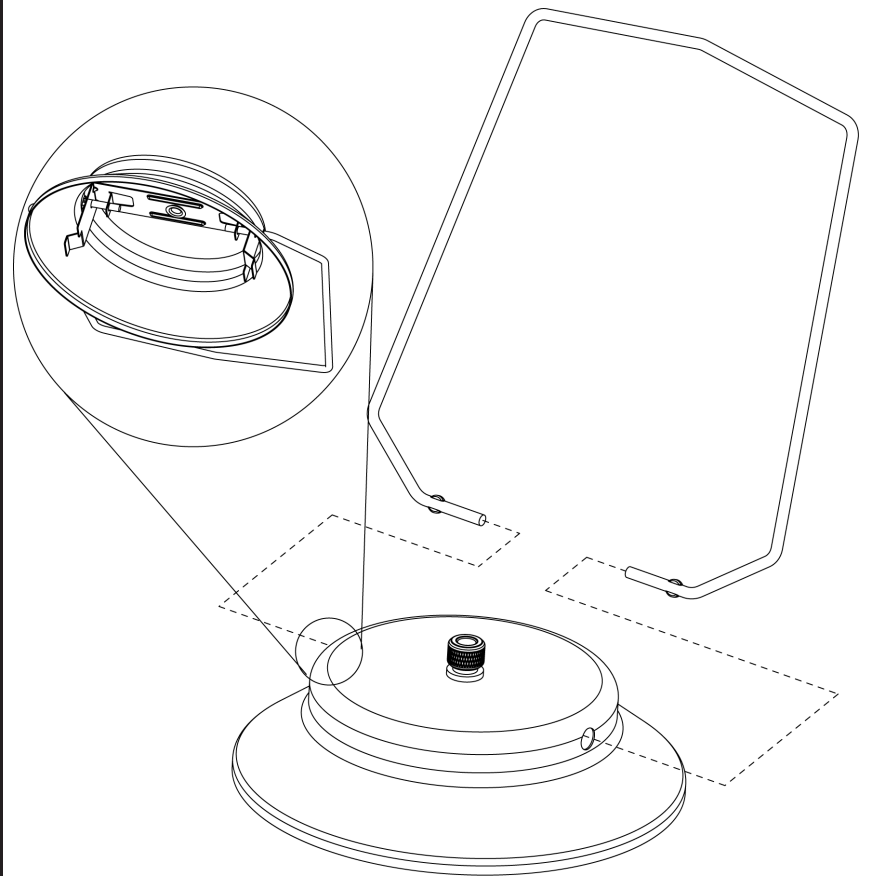
- (1) Leak Detection Solution (Instructions on how to make solution are included in "Operating Instructions" section)
- (1) 14.1 oz LP gas tank.

Note: You must follow all steps to properly assemble grill.

Typical assembly: approximately 5 minutes.

2

Attach Handle

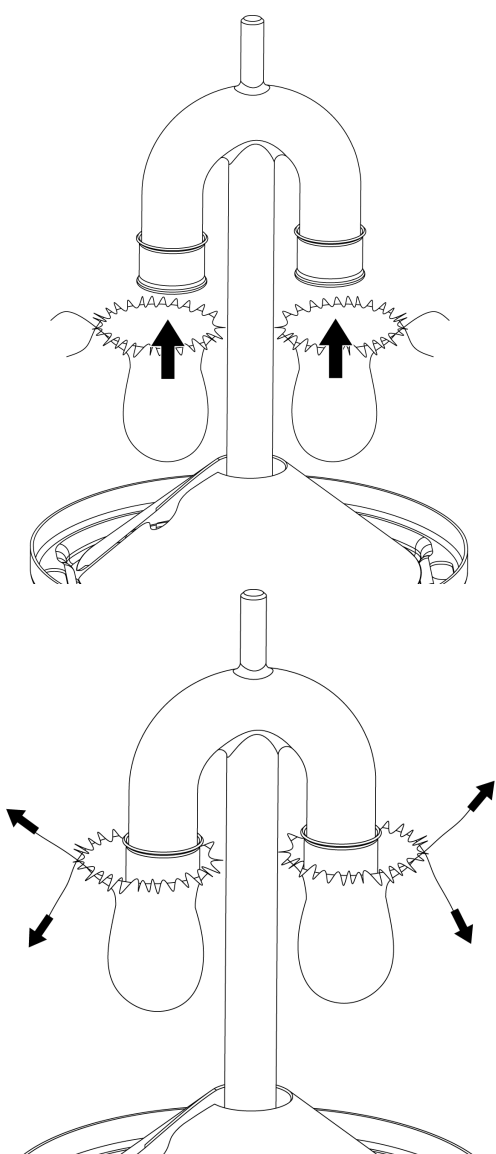


3

Attach Mantles

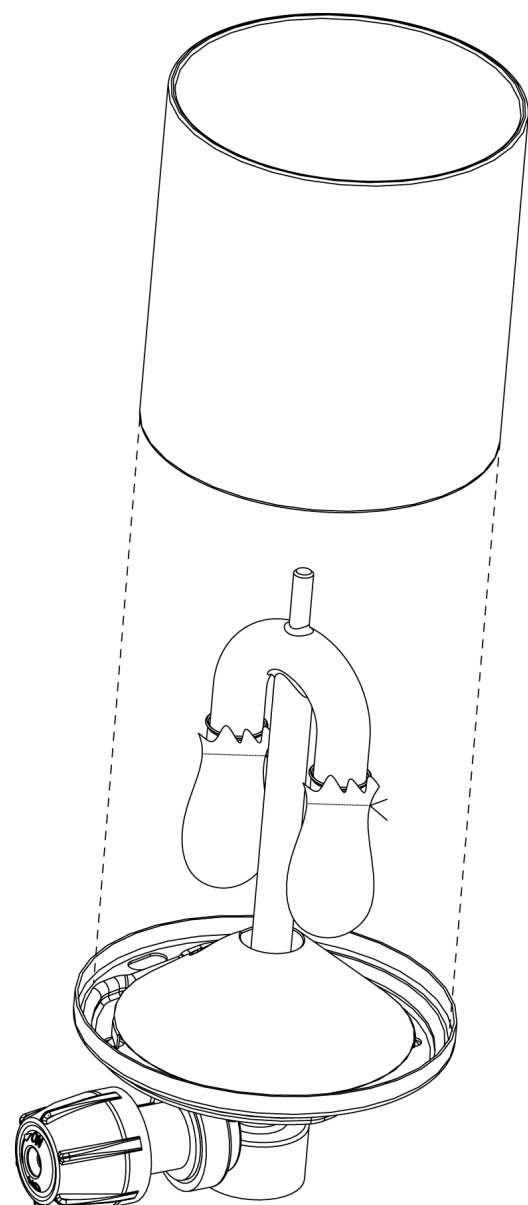
Note: Tie the mantles around grooves in burner.

Note: Evenly distribute folds on mantle. Cut off the extra string.



4

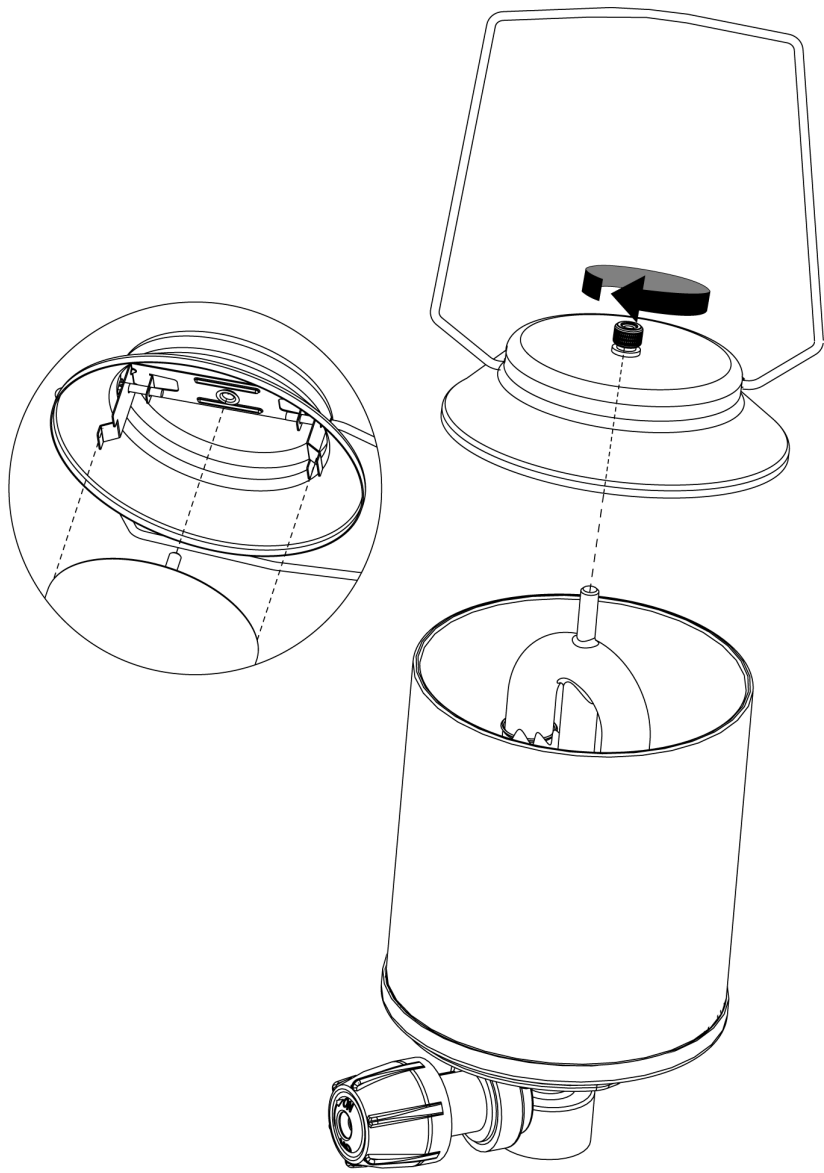
Insert Globe



Contact 1.800.762.1142 for assistance. Do not return to place of purchase.

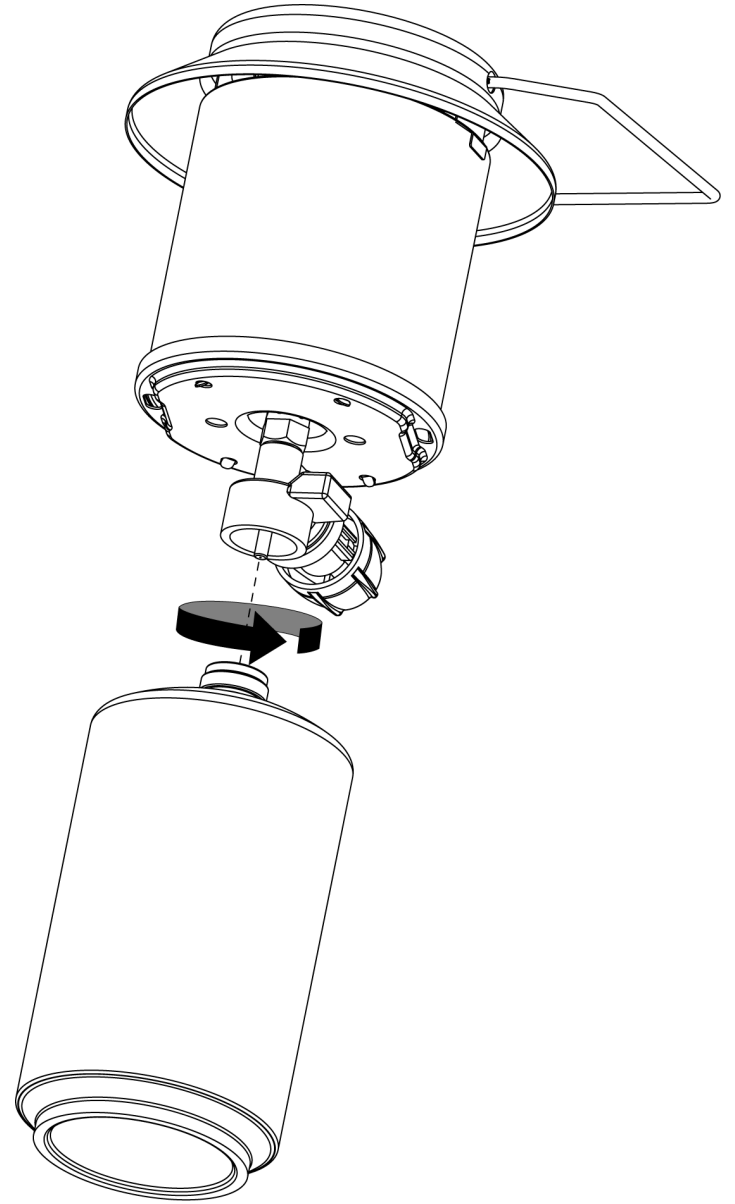
5

Attach Cap



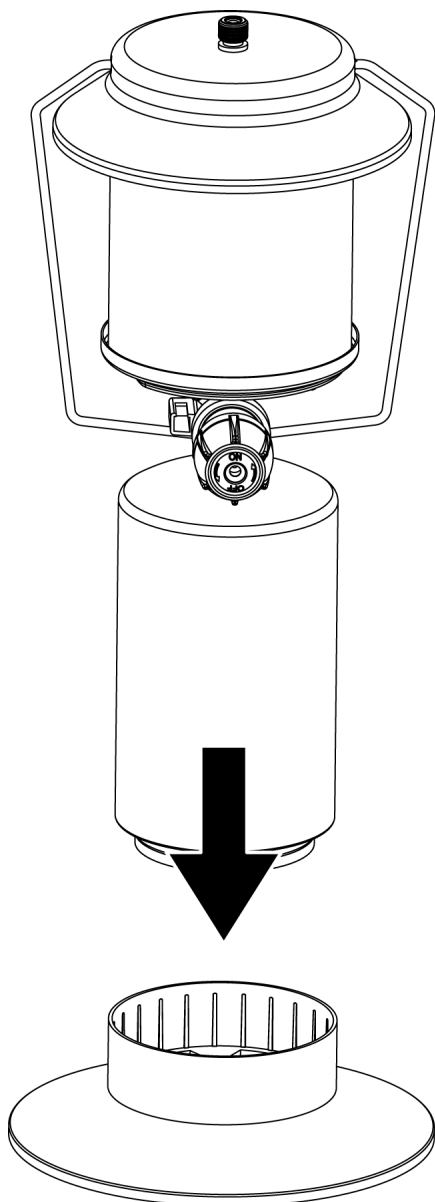
6

Attach LP Gas Tank



7

Insert Into Base



Operating Instructions

This lantern is designed to operate with a one pound 7-3/8" high disposable / 16.4 oz. or 14.1 oz. propane gas tank (DOT 39 Cylinder).

DO NOT ATTEMPT TO REFILL ANY ONE POUND (16.4 oz. or 14.1 oz.) PROPANE GAS TANKS!

Connecting Gas Tank

1. Make sure the control knob is in the "OFF" position. (Figure 1)
2. Lubricate the threads of the regulator valve with petroleum jelly, insert the gas tank into the regulator valve and hand-tighten firmly. (Figure 2)
3. Insert LP gas tank into the base.
4. Test for leaks

Checking for Leaks

Burner Connection

1. Make sure the control valve is securely fastened to the burner. (Figure 3)
If your unit was assembled for you, visually check the connection between the burner and control valve.

▲ WARNING: Failure to inspect this connection or follow these instructions could cause a fire or an explosion which can cause death, serious bodily injury, or damage to property.

2. If the burner pipe does not rest flush to the control valve, please contact 1.800.762.1142 for assistance.

Regulator / 1lbs. LP Gas Tank Connection

1. Make 2-3 oz. of leak solution by mixing one part liquid dishwashing soap with three parts water.
2. Make sure control knob is "OFF". (Figure 1)
3. Spoon several drops of solution, or use squirt bottle, at the LP gas tank to regulator connection. (Figure 3)
4. Inspect the solution at the connection, looking for bubbles.
 - If NO bubbles appear, the connections are secure.
 - If bubbles appear, you have a leak.
 - a. Loosen and retighten this connection, making sure the connection is secure.
 - b. Retest with solution.
 - If you continue to see bubbles after several attempts, disconnect propane source and contact 1.800.762.1142 for assistance.

Lighting

▲ DO NOT expose the lantern to flammable vapors or liquids during lighting.

1. Make sure all labels, packaging and protective films have been removed from the lantern.
2. Make sure there are no obstructions of airflow to the gas unit. Spiders and insects can nest within and clog the burner / venturi tube at the orifice.
A clogged burner tube can lead to a fire.
3. Control knobs must be in the "OFF" position. (Figure 1)
4. Attach the LP gas tank per the "Connecting Gas Tank" instructions.
5. Wearing Heat resistant gloves, position the lit long match or lit long butane lighter near the side of the mantles. (Figure 4)
 - a. Turn control knob counterclockwise to "ON".
 - b. Hold lit long match or lit long butane lighter next to mantle for up to 5 seconds.
 - c. Move lit long match or lit long butane lighter next to mantle.
 - d. Hold next to mantle for up to 5 seconds.
 - e. Remove long match/long butane lighter.
 - f. Repeat steps B - E for other mantle
6. If ignition does not occur in 5 seconds, turn burner control knob "OFF", wait 5 minutes and repeat lighting procedure.

Note: Once the mantle has been burned, it is very fragile. Be careful not to touch it with finger or match.

Figure 1

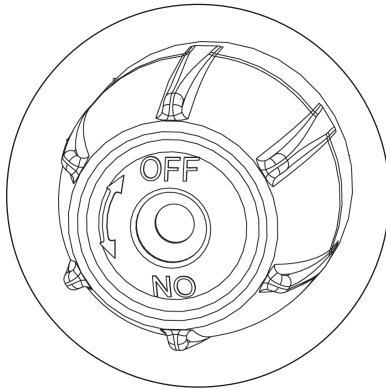


Figure 2

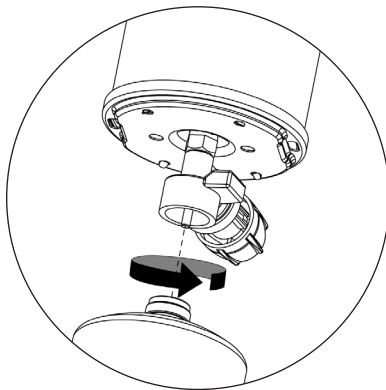


Figure 3

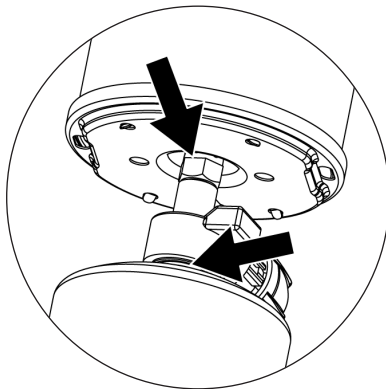
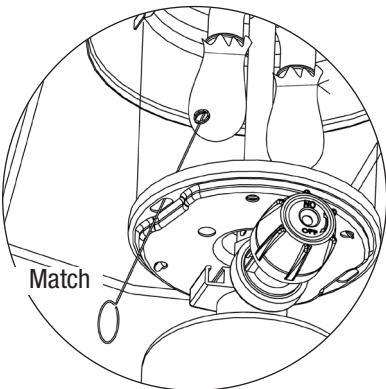


Figure 4



▲ Caution: If burner flame goes out during operation, immediately turn the gas "OFF" and let the gas clear for about 5 minutes before re-lighting.

Turning Off

1. Turn control knobs to the "OFF" position.
2. Remove LP gas tank and properly store tank.

Transporting

While Lantern is ON

1. Carefully carry the lantern by the handle.
2. Do not touch any of the lantern surfaces as they may be hot
3. Before setting the lantern down, make sure the tank is properly in the base.

While Lantern is OFF

1. The LP gas tank must be removed and stored properly.
2. Once the lantern is cooled, place the lantern and base in a plastic bag and secure the bag with a string.

▲ DO NOT COMPLETELY SEAL THE PLASTIC BAG.

Note: The plastic bag will help protect from insects.

Cleaning and Care

- ▲ CAUTION: All cleaning and maintenance should be done when lantern is cool and with the fuel supply disconnected.**
- ▲ CAUTION: DO NOT clean any lantern part in a self cleaning oven. The extreme heat will damage the finish.**
- ▲ CAUTION: Keep lantern clear and free from combustible materials, gasoline, and other flammable vapours and liquids.**
- ▲ CAUTION: Do NOT obstruct the flow of combustion and ventilation air.**

Notices

1. Abrasive cleaners will damage this product.
2. Never use oven cleaner to clean any part of lantern.
3. Do not clean any lantern part in a self cleaning oven. The extreme heat will damage the finish.

Inspecting

This lantern should be inspected on a regular basis to ensure product safety and longer product life.

▲ WARNING: Do NOT attempt to clean this lantern unless the flames are COMPLETELY out and unit is cool to the touch. (About 45 minutes).

1. Check burner to make sure it is secure.
2. Check venturi to make sure it is clear and free of spider nests.
3. Check all gas connections for leaks.
4. Check components for any signs of damage or rust.
5. If damage to any component is detected, do NOT operate until repairs are executed.

Cleaning Surfaces

▲ WARNING: Do NOT attempt to clean this lantern unless the flames are COMPLETELY out and unit is cool to the touch. (About 45 minutes).

▲ WARNING: Do NOT use oven cleaner or abrasive cleaners as they will damage this product.

1. Wipe surfaces clean with mild dishwashing detergent or baking soda.
2. For stubborn surfaces use a citrus based degreaser and a nylon scrubbing brush.
3. Rinse clean with water.

Contact 1.800.762.1142 for assistance. Do not return to place of purchase.

Product Registration

For faster warranty service, please register your product immediately at www.bluerhino.com or call 1.800.762.1142.

Limited Warranty

Blue Rhino Global Sourcing, Inc (“Vendor”) warrants to the original retail purchaser of this product, and to no other person, that if this product is assembled and operated in accordance with the printed instructions accompanying it, then for a period of one (1) year from the date of purchase, all parts in such product shall be free from defects in material and workmanship. Vendor may require reasonable proof of your date of purchase. Therefore, you should retain your sales slip or invoice. This Limited Warranty shall be limited to the repair or replacement of parts, which prove defective under normal use and service and which Vendor shall determine in its reasonable discretion upon examination to be defective. Before returning any parts, you should contact Vendor’s Customer Service Department using the contact information listed below. If Vendor confirms, after examination, a defect covered by this Limited Warranty in any returned part, and if Vendor approves the claim, Vendor will replace such defective part without charge. If you return defective parts, transportation charges must be prepaid by you. Vendor will return replacement parts to the original retail purchaser, freight or postage prepaid.

This Limited Warranty does not cover any failures or operating difficulties due to accident, abuse, misuse, alteration, misapplication, improper installation or improper maintenance or service by you or any third party, or failure to perform normal and routine maintenance on the product as set out in this owner’s manual. In addition, the Limited Warranty does not cover damage to the finish, such as scratches, dents, discoloration, rust or other weather damage, after purchase.

This Limited Warranty is in lieu of all other express warranties. Vendor disclaims all warranties for products that are purchased from sellers other than authorized retailers or distributors, including the warranty of merchantability or the warranty of fitness for a particular purpose. VENDOR ALSO DISCLAIMS AND ANY ALL IMPLIED WARRANTIES, INCLUDING WITHOUT LIMITATION THE IMPLIED WARRANTIES OF MERCHANTABILITY AND FITNESS FOR A PARTICULAR PURPOSE. VENDOR SHALL NO LIABILITY TO PURCHASER OR ANY THIRD PARTY FOR ANY SPECIAL, INDIRECT, PUNITIVE, INCIDENTAL, OR CONSEQUENTIAL DAMAGES. Vendor further disclaims any implied or express warranty of, and assumes no responsibility for, defects in workmanship caused by third parties.

This Limited Warranty gives the purchaser specific legal rights; a purchaser may have other rights depending upon where he or she lives. Some jurisdictions do not allow the exclusion or limitation of special, incidental or consequential damages, or limitations on how long a warranty lasts, so the above exclusion and limitations may not apply to everyone.

Vendor does not authorize any person or company to assume for it any other obligation or liability in connection with the sale, installation, use, removal, return, or replacement of its equipment, and no such representations are binding on Vendor.

Blue Rhino Global Sourcing, Inc
Winston-Salem, North Carolina USA
(800) 762-1142

Troubleshooting

Problem	Possible Cause	Prevention/Cure
Burner will not light with match	No gas flow.	Check if LP gas tank is empty.
	Obstruction of gas flow.	Clear burner.
	Spider webs or insect nest in burner tube.	Clean burner tube.
	Burner ports clogged or blocked.	Clean burner ports.

For more assistance please visit us online at www.bluerhino.com or call 1.800.762.1142 for immediate assistance.

Garantía limitada

Blue Rhino Sourcing, Inc (“el fabricante”) garantiza al comprador original, al detal, de este producto, y a ninguna otra persona, que si la unidad se arma y opera de acuerdo con las instrucciones impresas que la acompañan y por un periodo de un (1) año a partir de la fecha de compra, todas las piezas de este producto estarán libres de defectos en material y mano de obra. El fabricante podrá requerir prueba razonable de la fecha de compra. Por lo tanto, usted debe conservar el recibo de venta o la factura. Esta garantía limitada estará limitada a la reparación o reemplazo de las piezas que resulten defectuosas en condiciones de servicio y uso normal y las que un examen indique, a satisfacción del fabricante, que están defectuosas. Antes de devolver cualquier pieza, comuníquese con el Departamento de Servicio al Cliente (Customer Service Department) del fabricante. Si el fabricante confirma el defecto y aprueba el reclamo, el fabricante decidirá reemplazar tales partes sin costo alguno. Si se le pide que devuelva las partes defectuosas, los costos de transporte deberán ser prepagados. El fabricante devolverá las partes al cliente con costo de transporte o envío prepagados.

Esta garantía limitada no cubre fallas o dificultades de operación debidas a accidente, abuso, mal uso, alteración, empleo en usos inapropiados, instalación defectuosa o mantenimiento que devuelva la garantía limitada o falle en la realización de mantenimiento normal y rutinario como se prescribe en este manual del usuario.

Además, la garantía limitada no cubre daños al terminado de la unidad, tales como rasguños, abolladuras, descoloridos, oxidaciones y otros daños causados por la intemperie después de la compra de la unidad.

Esta garantía limitada reemplaza cualquier otra garantía. El fabricante no asume ninguna responsabilidad por garantías de productos vendidos por quienes no sean distribuidores o vendedores al detal autorizados. Esta exención de responsabilidad incluye cualquier garantía de comerciabilidad o la garantía de aptitud para un propósito en particular. EL FABRICANTE NO SE HACE RESPONSABLE POR NINGUNA GARANTIA IMPLICITA INCLUYENDO, SIN LIMITACIONES, LAS GARANTIAS IMPLICITAS DE COMERCIABILIDAD Y ADAPTABILIDAD A UN PROPOSITO PARTICULAR. EL FABRICANTE NO ASUME RESPONSABILIDAD ANTE EL COMPRADOR O ANTE CUALQUIERA TERCERA PERSONA POR DAÑOS ESPECIALES, INDIRECTOS, PUNITIVOS, INCIDENTALES O CONSEQUENCIALES. El fabricante, además, no asume responsabilidad por garantías implícitas o expresas por defectos de mano de obra causados por terceras personas.

Esta garantía limitada le da al comprador derechos legales específicos y el comprador puede tener otros derechos según el lugar donde el comprador o la compradora residan. Ciertas jurisdicciones no permiten limitaciones en cuanto a la duración de una garantía implícita, de manera que esta limitación puede no ser aplicable a usted.

El fabricante no autoriza a ninguna persona o compañía para asumir por el fabricante cualquier otra obligación a responsabilidad relacionada con la venta, instalación, uso, remoción, devolución o reemplazo de este equipo y cualquier representación de esta naturaleza no obliga al fabricante.

Blue Rhino Sourcing, Inc
 Winston-Salem, North Carolina 27105, EE.UU.
 (800)-762-1142

Limpieza y cuidado (continuación)

- Limpieza del quemador**
1. Apague el gas con la perilla de control y remueva el tanque de gas propano líquido.
 2. Remueva el regulador.
 3. Remueva las cocinillas de cocción y la placa de calentamiento.
 4. Remueva el quemador.
 5. Limpie el orificio de entrada del quemador con un cepillo pequeño de limpiar botellas o con chorro de aire comprimido.
 6. Remueva de la superficie del quemador todo residuo de comida o suciedad.
 7. Limpie cualquier puerto que encuentre tapado con un alambre rígido, tal como un sujetapapeles abierto.
 8. Examine el quemador para detectar daños – como rajaduras o huecos. Si encuentra algún daño reemplace el quemador.
 9. Vuelva a instalar el quemador. Vuelva a conectar el encendedor y coloque nuevamente el resguardo contra el viento y el regulador.
 10. Vuelva a colocar la rejilla del quemador.
 11. Haga una prueba de fugas.

Registro del producto

Para beneficiar del servicio de garantía más rápidamente, sírvase registrar su unidad inmediatamente visitando nuestro sitio Internet www.bluerhino.com o llamando al 1.800.762.1142.

Problema	
Causa posible	El quemador no se enciende con una cerilla.
No hay flujo de gas.	Compruebe si el tanque de propano líquido está vacío.
Obstrucción del flujo de gas.	Limpie el quemador.
Telarañas o nidos de insectos en el venturi.	Limpie el tubo del quemador.
Bocas del quemador atasgadas u obstruidas.	Limpie las bocas del quemador.
Para ayuda más detallada, sírvase visitar en www.bluerhino.com o llámanos al 1.800.762.1142 para ayudarlo inmediatamente.	

Resolución de problemas

Operating Instructions

Esta cocina ha sido diseñada para operar con un tanque de propano de una libra (450 g) (cilindro DOT 39), de 7-3/8 pulgadas (19 cm) de altura, desechable, de 14,1 onzas.

!NO TRATE DE LLENAR TANQUES DE PROPANO DE UNA LIBRA (14,1 onzas)!

Conectar el tanque de gas

1. Asegúrese de que el regulador y la válvula de control estén a la posición "OFF" (apagado), vea la Figura 1.

2. Lubrique la rosca de la válvula del regulador con vaselina de petróleo, introduzca el tanque de gas en la válvula del regulador y apriete con la mano la conexión firmemente (Figura 2).
3. Verifique que no han quedado fugas de gas.

Comprobar si hay fugas

1. Asegúrese de conectar adecuadamente la válvula de control al quemador.
- Si alguien armó la unidad para usted, verifique visualmente la conexión entre el tubo del quemador y la válvula de control.

!ADVERTENCIA: El no inspeccionar esta conexión o seguir debidamente estas instrucciones puede causar incendio o explosión ocasionando muerte, graves lesiones o daños a la propiedad.

2. Si el tubo del quemador no queda a ras con el orificio, por favor llame al 1.800.762.1142.

Conexión del regulador y del tanque de 1 libra (450 g)

1. Prepare unos 80 ml de solución para comprobar si hay fugas mezclando una parte de jabón líquido para lavar platos y tres partes de agua.

2. Asegúrese de que la perilla de control está en la posición "OFF" (apagado), vea la Figura 1.

3. Vierta varias gotas de la solución con una cuchara o una botella de exprimir en la conexión del regulador y del tanque de propano, vea la Figura 3.
4. Revise la solución en la conexión en busca de burbujas.

Si NO aparecen burbujas, la conexión es segura.

Si aparecen burbujas, hay una fuga.

- a. Afloje la conexión y vuelva a apretarla dejando segura la conexión.
- b. Haga otra prueba con la solución.

Si sigue observando burbujas después de varios intentos, desconecte la fuente de propano y llame al número de teléfono 1.800.762.1142 para solicitar asistencia técnica.

Encendido

!NO exponga la linterna a vapores ni líquidos inflamables al encenderla.

1. Verifique que todas las etiquetas, envolturas de protección y empaques han sido removidos de la cocina.

2. Asegúrese de que no hay nada que obstruya el flujo de aire en la unidad de gas. Arañas y otros insectos pueden formar sus nidos dentro y obstruir los orificios del quemador/tubo de venturi. Un tubo de quemador obstruido puede provocar un incendio debajo del aparato.
3. Las perillas de control deben estar en la posición "OFF" (apagado), vea la Figura 1.

4. Acople el tanque de gas propano líquido siguiendo las instrucciones descritas en la sección "Conexión del tanque de gas".

5. Usando guantes resistentes al calor, coloque un encendedor de butano largo o una cerilla larga encendida cerca del lateral de las camisas (vea la Figura 4).

- a. Gire la perilla de control en sentido antihorario a la posición "ON" (encendido).

- b. Mantenga un encendedor de butano largo o un fósforo largo encendido junto a la

- c. Mueva el encendedor de butano largo o un fósforo largo encendido junto a la camisa.

Limpeza y cuidado

!PRECAUCIÓN: Todas las operaciones de limpieza y mantenimiento deben realizarse con la cocina fría y con el suministro de combustible del tanque de propano líquido desconectado.

!PRECAUCIÓN: NO limpie ninguna pieza de esta cocina en un horno de limpieza automática. El calor extremo dañará el terminado.

!PRECAUCIÓN: Mantenga la cocina de campamento limpia y libre de materiales combustibles, gasolina y otros vapores y líquidos inflamables.

!PRECAUCIÓN: NO obstruya el flujo de combustión y aire de ventilación.

Avisos

1. No use productos de limpieza abrasivos pues dañarán este aparato.
2. No utilice nunca productos limpiadores para limpiar cualquier pieza de la cocina.
3. Nunca use ninguna pieza de esta cocina en un horno de limpieza automática. El calor extremo dañará el terminado.

Inspección

Esta cocina de campamento debe inspeccionarse con regularidad para garantizar la seguridad del producto y una larga vida útil.

!ADVERTENCIA: NO trate de limpiar esta cocina completamente apagada y la unidad menos que las llamas estén completamente apagadas y la unidad esté fría al tacto.

1. Revise el quemador para comprobar que esté seguro.

2. Revise el tubo venturi para asegurarse de que está limpio y libre de nidos de arañas.
3. Revise las conexiones de gas para asegurar que no hayan fugas.
4. Revise los componentes en busca de señales de daño o corrosión.
5. Si detecta daño en cualquiera de los componentes, NO opere el producto hasta que se hayan realizado las reparaciones.

Limpeza de las superficies

!ADVERTENCIA: NO intente limpiar esta cocina completamente apagada y la unidad menos que las llamas estén completamente apagadas y la unidad esté fría al tacto.

!ADVERTENCIA: NO use limpiador de horno ni limpiadores abrasivos, ya que estos causarán daño al producto.

1. Limpie las superficies con un detergente suave de lavado de platos o con soda de hornear.
2. En superficies de limpieza difícil, use un desengrasador a base de cítricos y un cepillo de nylon.
3. Enjuague las superficies con agua limpia.

Transporte

Mientras la linterna está ENCENDIDA (ON)

1. Transporte la linterna cuidadosamente sujetándola por la manija.

2. No toque ninguna de las superficies de la linterna, ya que pueden estar calientes.
3. Antes de colocar la linterna en su sitio, asegúrese de que el tanque esté instalado correctamente en la base.

Mientras la linterna está APAGADA (OFF)

1. El tanque de gas propano líquido debe retirarse y guardarse como es debido.
2. Una vez que la linterna se haya enfriado, coloque la linterna y la base dentro de una bolsa de plástico y cierre la bolsa con una cuerda.

Apagado:

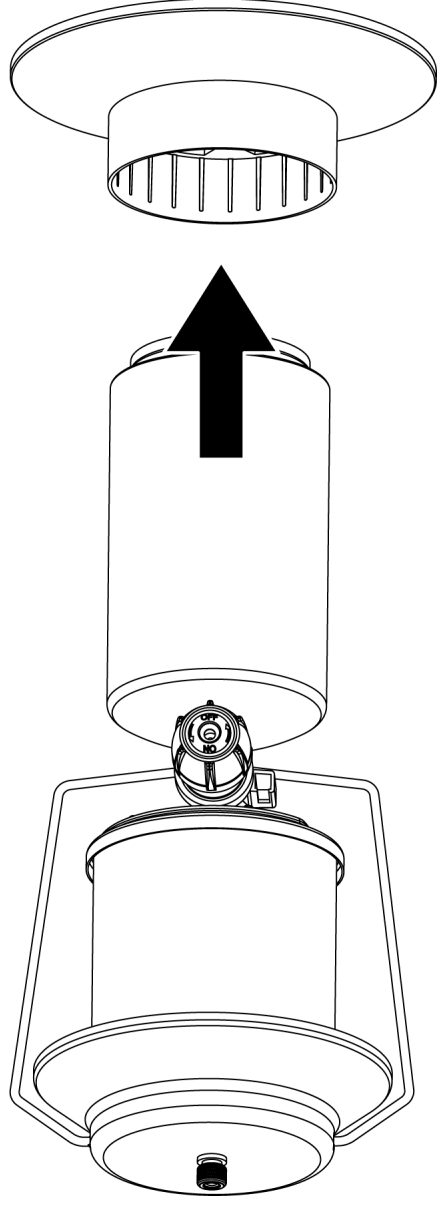
1. Gire la perilla de control a la posición "OFF" (apagado).
2. Remueva el tanque de gas propano líquido y guárdelo en un lugar apropiado.

Nota: Una vez que se haya quemado la camisa, se vuelve muy frágil. Tenga cuidado de no tocarla con el dedo o el fósforo

6. Si la linterna no se enciende en 5 segundos, gire la perilla de control a la posición "OFF" (apagado), espere 5 minutos y repita el procedimiento de encendido.

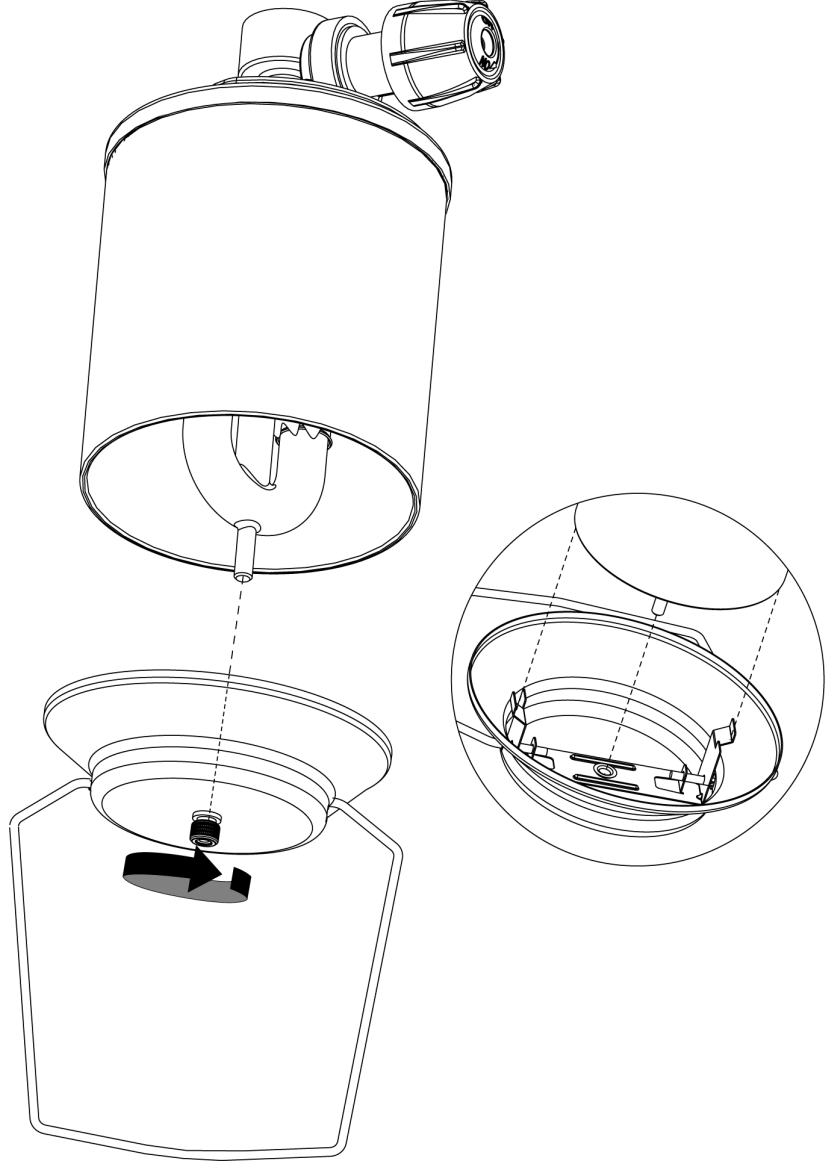
- d. Manténgalo junto a la camisa hasta por 5 segundos.
- e. Aleje el encendedor de butano largo o la cerilla larga.
- f. Repita los pasos B a E para la otra camisa.

7



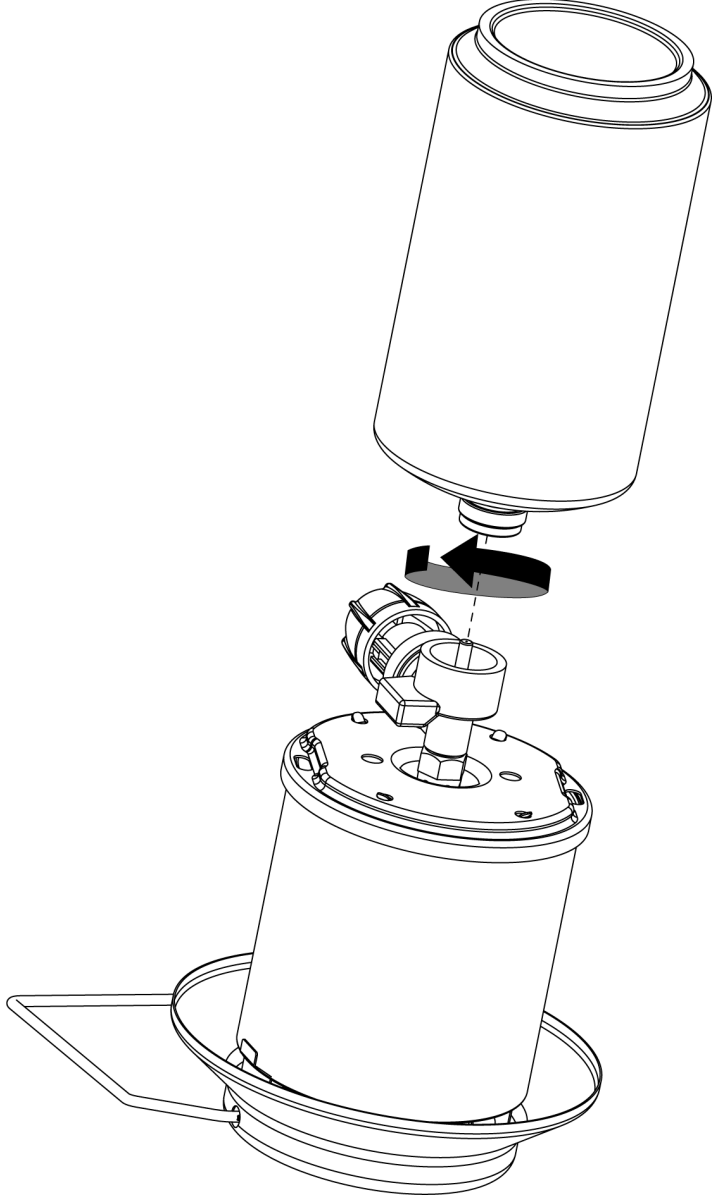
Inserte el ensamblaje en la base

5



Acople la tapa

6



Acople el tanque de gas propano líquido

1 NO DEVUELVA EL PRODUCTO AL LUGAR DE COMPRA.

Si necesita ayuda llame, sin cargo, al 1.800.762.1142. Por favor tenga a mano su manual y el número de serie de la unidad, para referencia.

Para facilitar el armado:

- Evite la pérdida de componentes pequeños o elementos de ferretería, armando el producto en un lugar de piso plano sin aberturas ni hendiduras.
- Despeje un área suficientemente grande para disponer todos los componentes y los elementos de ferretería.
- Cuando sea del caso, apriete a mano, en un principio, las conexiones de ferretería. Una vez que ha terminado el paso, apriete completamente todos los elementos de ferretería.
- Siga todos los pasos en el orden indicado para armar debidamente esta unidad.

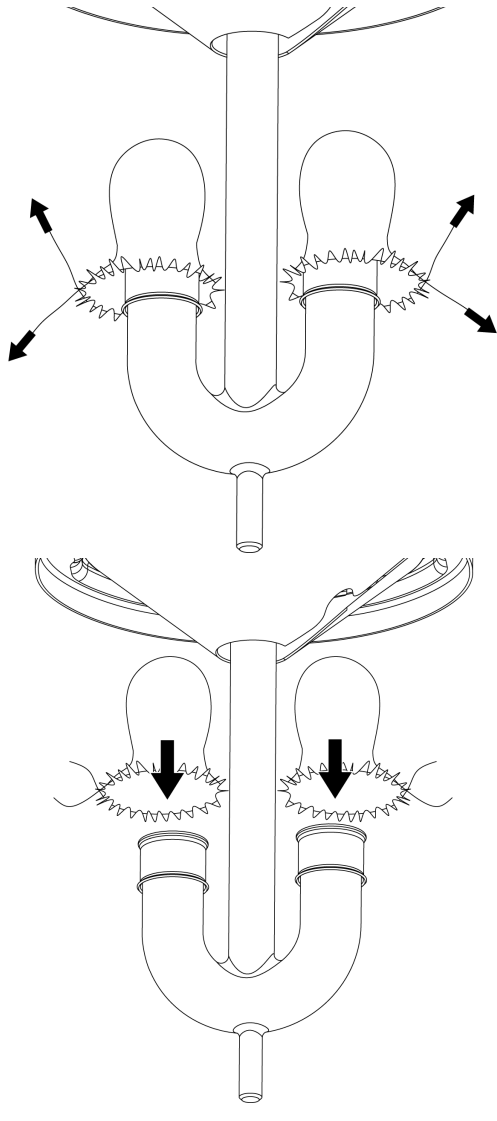
Para terminar el armado de la unidad necesitará:

- (1) solución para detección de fugas. Las instrucciones sobre cómo preparar esta solución se encuentran en la sección "Instrucciones de operación".
- (1) tanque de propano de 14,1 onzas

Nota: Es importante que siga en forma apropiada todos los pasos de armado de la parrilla.

Tiempo de armado estimado: 5 minutos.

1



3 Acople las camisas

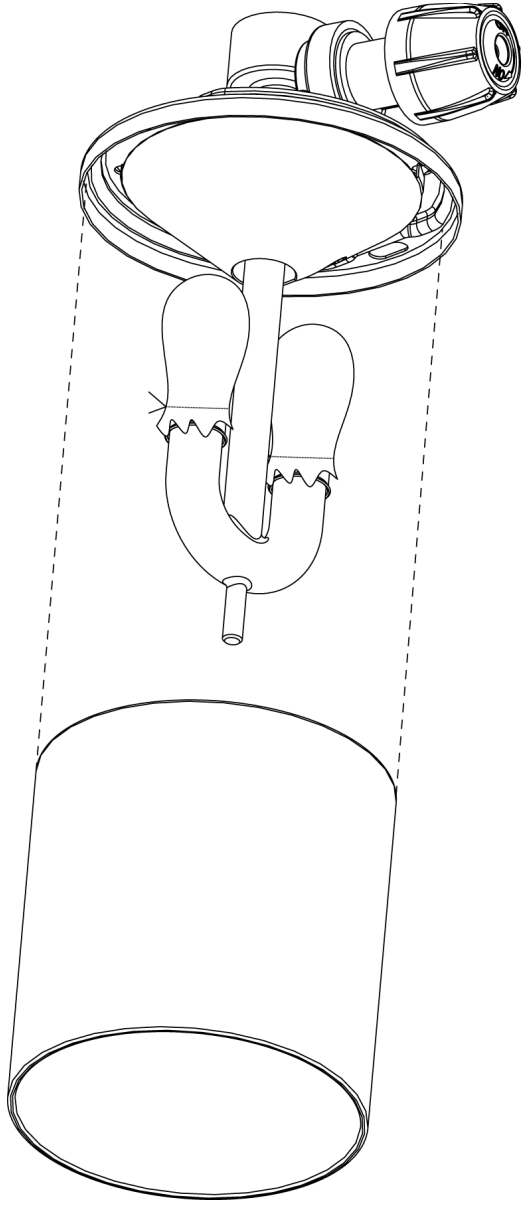
Nota: Amarre las camisas alrededor de las ranuras en el quemador.

Nota: Distribuya de manera pareja los pliegues de la camisa. Corte el exceso de cuerda.

3

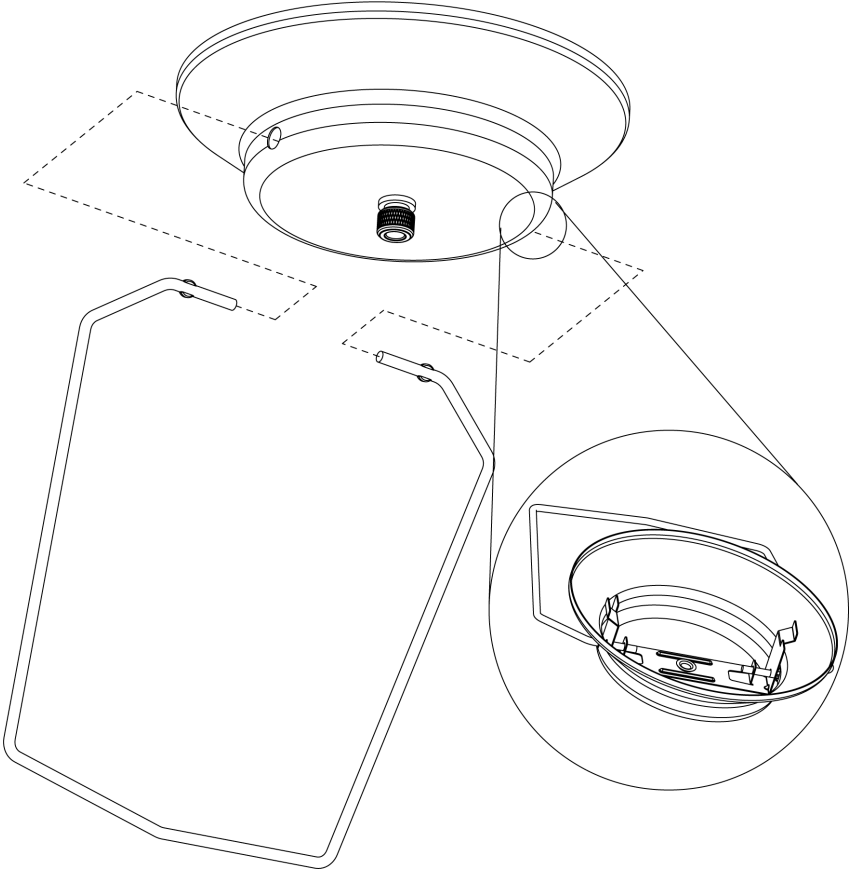
4

4 Inserte el globo



2

2 Acople la manija



Si necesita ayuda llame al 1.800.762.1142. No vuelva al lugar de compra.

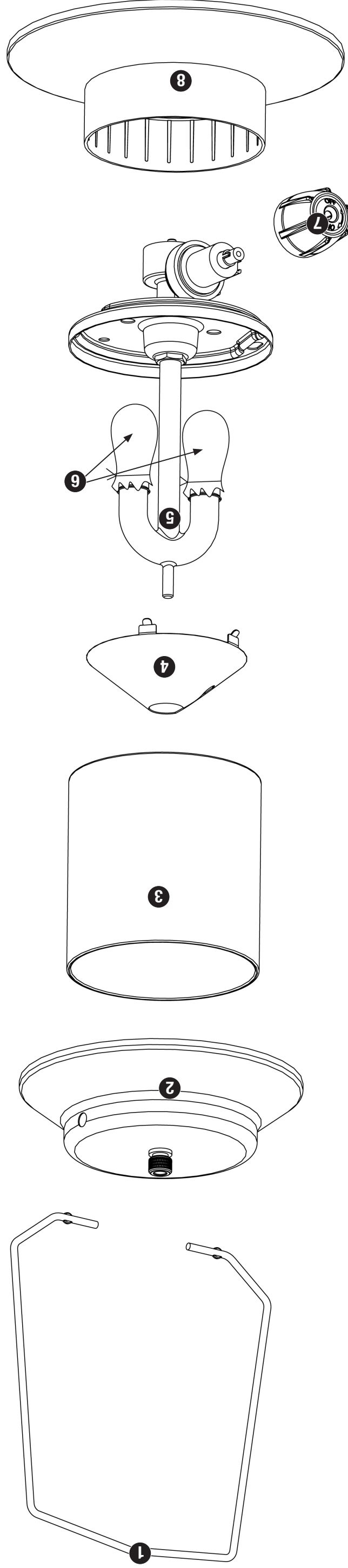


Diagrama de explosión

Lista de piezas

* Pre assembled	
55-09-291	1 Manija
55-09-288	2 Tapa
55-09-294	3 Globo
55-09-292	4 Cono de protección contra el calor
55-09-290	5 Conjunto del motor y regulador
55-09-293	6 Camisa (2)
55-09-289	7 Perilla de control
55-09-287	8 Base

Linterna a gas propano líquido para exteriores, Modelo no. 6LL800W

PELIGRO



1. No intente encender el aparato.
2. Apague cualquier llama activa.
3. Desconecte el aparato del suministro de combustible.

ADVERTENCIA



No guarde o use gasolina u otros líquidos o vapores inflamables cerca de esta unidad o de cualquier otro aparato.

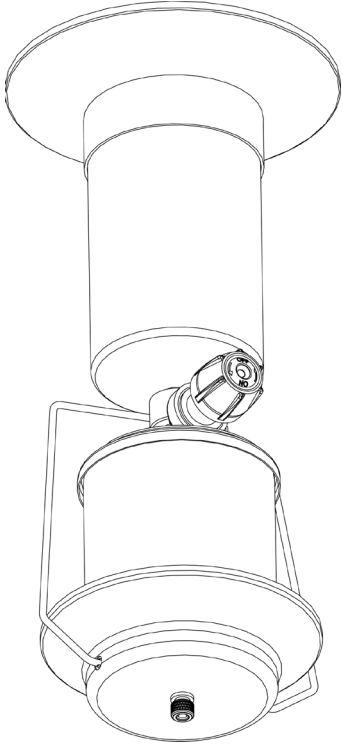
▲ **PELIGRO:** El no seguir los avisos de peligro, las advertencias y las precauciones de este manual, puede ocasionar un incendio o una explosión, con sus consecuentes daños a la propiedad, lesiones personales y hasta accidentes fatales.


- ▲ **ADVERTENCIA:**
 - ▲ Esta linterna es para ser usada al aire libre únicamente y no debe usarse en un edificio, garaje o cualquier otra área cerrada.
 - ▲ NO opere, encienda o use esta unidad a menos de 8 pies (2,43 m) de paredes estructuras o edificaciones.
 - ▲ Esta linterna de gas NO ha sido diseñada para uso comercial.
 - ▲ Esta linterna utiliza únicamente gas de propano líquido (PL) como combustible. El convertir o tratar de convertir esta linterna de gas propano líquido para ser usada con gas natural es peligroso e invalida la garantía de la unidad.
 - ▲ Características del propano líquido (PL):
 - a. El propano es inflamable y resulta peligroso si se manipula inadecuadamente. Antes de utilizar cualquier producto que emplee propano líquido, estudie detenidamente sus características.
 - b. El propano es un gas explosivo bajo presión, más denso que el aire y se asienta en pozos en zonas bajas.
 - c. En su estado natural, el propano no tiene ningún olor. Para su seguridad, se añade una esencia odorífera que huele a col podrida.
 - d. El contacto directo con el propano líquido puede causar quemaduras trias en la piel.
 - ▲ Nunca guarde un tanque adicional de propano debajo a menos de 10 pies (3,05 m) de esta unidad.
 - ▲ Un tanque de propano líquido que no esté conectado para su uso no se debe almacenar cerca de este o cualquier otro aparato.
 - ▲ Se requiere un tanque de gas propano para hacer funcionar este aparato. Únicamente tanques marcados "Propano" pueden usarse en esta unidad.
 - ▲ El tanque de gas propano líquido (PL) debe estar fabricado y comercializado según las Especificaciones para tanques de gas PL del Departamento de Transporte (DOT) de EE.UU. o del *Estandar nacional de Canada, CAN/CSA-B339.*
 - ▲ Verifique que el tanque de propano está colocado para facilitar la extracción de vapores.
 - ▲ Los tanques de propano líquido abollados u oxidados pueden ser peligrosos y deberían ser revisados por su proveedor de gas PL antes de utilizarlos.
 - ▲ No deje caer el tanque de gas propano líquido ni la manéje bruscamente. Los tanques de propano deben almacenarse en exteriores, en un lugar al aire libre siempre fuera del alcance de los niños y nunca en un garaje, edificio o espacio cerrado. Nunca almacene tanques de gas en un lugar en el que la temperatura supere los 125°F (51,5°C).
 - ▲ No intente nunca acoplar esta linterna al sistema de propano de un campero, de una casa móvil o de su propia casa. El uso de bebidas alcohólicas, medicamentos o drogas de farmacia puede afectar la habilidad del usuario para armar debidamente u operar en forma segura esta aparato.
 - ▲ No use nunca líquido para encendedor, gasolina, queroseno o alcohol con este aparato.
 - ▲ Todas las conexiones de gas de su linterna han sido verificadas en fábrica en cuanto a fugas de gas.
 - ▲ Pruebe la integridad de todas las conexiones ya que el movimiento en transporte puede aflojar algunas de ellas.
 - ▲ Verifique que no haya fugas aún si el aparato ha sido armado por otra persona.
 - ▲ No opere la unidad si hay una fuga de gas. Las fugas de gas pueden provocar un fuego o una explosión.
 - ▲ Antes de operar esta unidad, debe observar todos los procedimientos para verificar que no hay fugas de gas. Para evitar cualquier riesgo de fuego o de explosión al comprobar si hay fugas:
 - a. Compruebe siempre si hay fugas antes de encender la linterna, cada vez que el tanque de gas está conectado.
 - b. No fume. No use o permita fuentes de ignición en el área al comprobar si hay fugas.
 - c. Siempre compruebe si hay fugas en exteriores donde hay una buena ventilación.
 - d. No use cerillas o fósforos, encendedores o una llama para comprobar si hay fugas.
 - e. No use la linterna hasta que todas las fugas hayan sido reparadas. Si no puede parar una fuga, desconecte el tanque de propano. Llame a nuestro servicio de atención al cliente, a un técnico o a su proveedor de propano local.
 - ▲ No utilice el equipo en una atmósfera explosiva. Mantenga la zona de la linterna libre de materiales combustibles, gasolina y cualquier otro vapor o líquido inflamable.
- ▲ Mantenga todo material y superficies combustibles a por lo menos 53 cm (21 pulgadas) de la linterna en todo momento. NO use esta linterna debajo de aleros o cerca de construcciones combustibles que no estén debidamente protegidas.
- ▲ Es fundamental mantener limpio el compartimiento de la válvula de la linterna, los quemadores y los conductos de aire circulante. Inspeccione la linterna antes de cada uso.
- ▲ No altere la linterna de ninguna forma.
- ▲ No utilice la linterna a menos que esté **COMPLETAMENTE** montada y que todas las piezas estén bien fijadas y apretadas.
- ▲ Esta linterna debe limpiarse y verificarse completamente de manera regular.
- ▲ Utilice únicamente el regulador incluido. El regulador de de repuesto será el especificado por el fabricante.
- ▲ Use únicamente piezas autorizadas de fábrica de Blue Rhino Global Sourcing, Inc. El uso de cualquier pieza no autorizada de fábrica puede ser peligroso. Su uso invalida su garantía.
- ▲ No encienda esta unidad sin haber leído las instrucciones de operación que se encuentran en este manual.
- ▲ No toque las piezas de metal de la linterna hasta que no se haya enfriado completamente (alrededor de 45 minutos) para evitar quemaduras, a menos que usted tenga puestos elementos de protección tales como guantes o almohadilla para las ollas, guantes de barbacoa, etc.
- ▲ No instalar o utilizar en embarcaciones o vehículos de recreo.
- ▲ Cuando esté usando el aparato, tenga fácilmente accesibles los elementos para extinguir un incendio .
- ▲ No utilice la linterna si hace mucho viento.
- ▲ Nunca se apoye sobre la linterna cuando la está encendiendo.
- ▲ NO use esta linterna si alguna de sus partes se ha sumergido en agua. Llame inmediatamente a un técnico de servicio certificado para que inspeccione el producto y para que reemplace cualquier pieza del sistema de control o cualquier control de gas que se haya sumergido en agua.
- ▲ NO deje una linterna encendida sin vigilancia, especialmente, mantenga los niños y las mascotas lejos de la linterna en todo momento.
- ▲ Deje que la linterna se enfríe antes de moverla o guardarla.
- ▲ El almacenamiento del aparato en un espacio cerrado sólo está permitido si el tanque está desconectado, desmontado del aparato y guardado al aire libre.
- ▲ No trate de desconectar el regulador de gas del tanque, o cualquier otro accesorio de la línea de gas, mientras esté usando la linterna.
- ▲ Desconecte el tanque de gas cuando no lo esté utilizando.
- ▲ Coloque siempre la linterna sobre una superficie firme, nivelada y no combustible. Una superficie de asfalto o de pavimento puede que no sea adecuada para este propósito.
- ▲ No coloque la linterna directamente sobre el suelo de terrazas de madera ni sobre mesas de madera para picnic.
- ▲ Mantenga todos los cables eléctricos lejos de una linterna caliente.
- ▲ No use la linterna para cocinar adentro o calentar el ambiente. Los gases TOXICOS pueden acumularse y provocar la asfixia.
- ▲ Después de un periodo de almacenamiento o de falta de uso de la unidad, verifique que no haya fugas u obstrucciones en el quemador e inspeccione la manguera para detectar zonas gastadas o cortes en ella.
- ▲ Si la linterna no se está usando, el gas debe cerrarse en el tanque de suministro.
- ▲ Nunca guarde un tanque adicional de propano debajo o cerca de esta linterna.
- ▲ Por favor, use guantes de protección cuando esté armando este producto.
- ▲ No trate de forzar las piezas juntas pues esto puede ocasionar lesiones o dañar el producto.
- ▲ El no seguir exactamente las instrucciones dadas arriba puede producir daños a la propiedad, lesiones serias y hasta fatales.


MANUAL DEL USUARIO


Linterna a gas propano líquido para exteriores

Modelo no. GLL800W



 <p>PELIGRO</p>	<p>PELIGRO DE MONOXIDO DE CARBONO</p> <ul style="list-style-type: none"> • Esta unidad produce monóxido de carbono el cual es inodoro. • El usarla en un espacio cerrado puede ser mortal. • Nunca use esta unidad en un espacio cerrado tal como en un campero, una tolda, un automóvil o en la casa.
-------------------------------------------------------------------------------------------------------------	------------------------------------------------------------------------------------------------------------------------------------------------------------------------------------------------------------------------------------------------------------------------------------------------------------------------------------------------

 <p>ADVERTENCIA</p>	<p>PARA SU SEGURIDAD:</p> <p>Solamente para uso en exteriores (fuera de cualquier recinto)</p>
-----------------------------------------------------------------------------------------------------------------	------------------------------------------------------------------------------------------------------------------

 <p>ADVERTENCIA</p>	<p>PARA SU SEGURIDAD:</p> <ol style="list-style-type: none"> 1. Una instalación, ajuste, alteración, reparación o mantenimiento inadecuados pueden causar lesiones o daños a la propiedad. 2. Lea atentamente las instrucciones de instalación, funcionamiento y mantenimiento del equipo antes de instalarlo, ponerlo en marcha o darle servicio. 3. El no seguir estas instrucciones puede ocasionar un incendio o una explosión, con sus consecuentes daños a la propiedad, lesiones personales y hasta accidentes fatales.
-----------------------------------------------------------------------------------------------------------------	------------------------------------------------------------------------------------------------------------------------------------------------------------------------------------------------------------------------------------------------------------------------------------------------------------------------------------------------------------------------------------------------------------------------------------------------------------------------------------------------------------------------------------------------------------------------

Conserve estas instrucciones para futuras consultas. Si esta montando esta unidad para otra persona, entregue este manual para futuras consultas.

Índice	
Salvaguardias importantes	2
Diagrama de explosión y elementos de ferretería	3
Instrucciones de armado	4
Instrucciones de operación	6
Conectar el tanque de gas	6
Comprobar si hay fugas	6
Encendido	6
Apagado	6
Transporte	6
Limpieza y cuidado	6
Registro del producto	7
Garantía limitada	7
Resolución de problemas	7

El uso e instalación de este producto debe realizarse de acuerdo con los códigos locales. Si no existen códigos locales, use las normas siguientes: *Código Nacional para Gas y Combustible, ANSI Z223.1/NFPA 54, Código de Instalación de Gas Propano y Gas Natural, CSA/CGA B149.1.*

Proposición 65 de California: La combustión del propano crea productos químicos considerados por el Estado de California como causantes de cáncer, malformaciones congénitas u otros daños reproductivos.



Fabricado en China para:
Blue Rhino Global Sourcing, Inc
Winston-Salem, NC 27104 EE.UU.
1.800.762.1142, www.bluerhino.com

© 2007 Blue Rhino Global Sourcing, Inc. Todos los derechos reservados.