



IMI CORNELIUS INC.
One Cornelius Place
Anoka, MN 55303-6234
Telephone (800) 238-3600
Facsimile (612) 422-3232

Service Manual

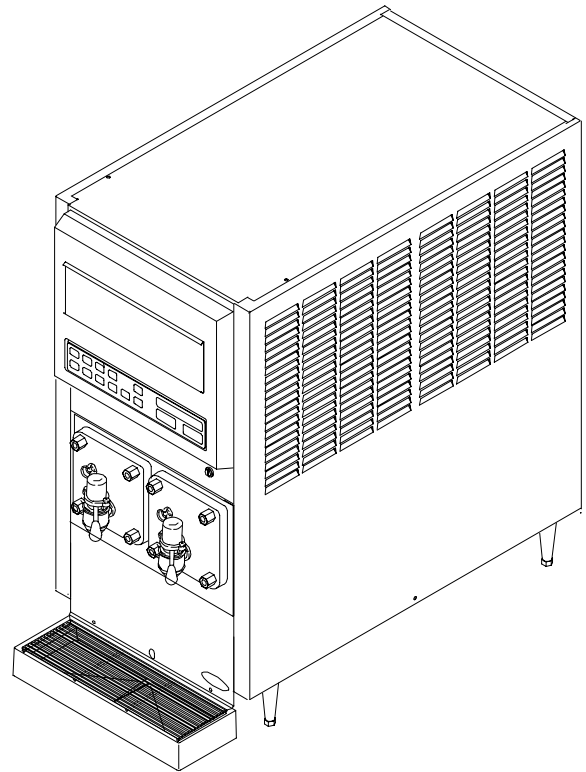
FCB OVERCOUNTER POST-MIX DISPENSER WITH V3+FEATURES (R-404A REFRIGERANT)

IMPORTANT:

TO THE INSTALLER.

It is the responsibility of the Installer to ensure that the water supply to the dispensing equipment is provided with protection against backflow by an air gap as defined in ANSI/ASME A112. 1.2-1979; or an approved vacuum breaker or other such method as proved effective by test.

Water pipe connections and fixtures directly connected to a potable water supply shall be sized, installed, and maintained according to Federal, State, and Local laws.



Part No. 312028000
November 14, 1994
Revised: March 11, 1997
Control Code A-B-C-D

THIS DOCUMENT CONTAINS IMPORTANT INFORMATION

This Service Manual must be read and understood before starting to install or operate this equipment.

TABLE OF CONTENTS

	Page
GENERAL DESCRIPTION	1
GENERAL DESCRIPTION	1
UNIT DESCRIPTION	1
THEORY OF OPERATION	2
DEFROST SYSTEMS	3
MANUAL DEFROST SYSTEM	3
AUTOMATIC DEFROST SYSTEM	3
“SLEEP” (SLEEP TIME)	4
“WAKE UP” (WAKE UP TIME)	4
INSTALLATION	7
UNPACKING AND INSPECTION	7
IDENTIFICATION OF LOOSE-SHIPED PARTS	7
ELECTRICAL POWER REQUIREMENTS	8
60 HZ UNIT	8
50 HZ UNIT	8
SELECTING LOCATION	8
INSTALLING UNIT	9
INSTALLING LEVELING LEGS	9
INSTALLING DRIP TRAY SUPPORTS (ITEM 7) AND (ITEM 8)	9
INSTALLING DRIP TRAY DRAIN HOSE KIT (ITEM 10)	9
PREPARING UNIT FOR CONNECTION TO SYRUP, CO ₂ , AND CITY PLAIN WATER SOURCES	9
INSTALLING PRIMARY CO ₂ REGULATOR ASSEMBLY ON CO ₂ CYLINDER	10
CONNECTING SOFT DRINK TANKS CO ₂ LINES TO PRIMARY CO ₂ REGULATOR ASSEMBLY	10
PREPARING UNIT SYRUP INLET LINES FOR CONNECTION TO SOFT DRINK TANKS	10
CONNECTING CO ₂ SOURCE LINE TO UNIT CO ₂ INLET LINE	10
CONNECTING CITY PLAIN WATER SOURCE LINE TO UNIT	11
CONNECTING ELECTRICAL POWER CIRCUIT TO THE UNIT	11
PREPARATION FOR OPERATION	12
TURNING ON ELECTRICAL POWER TO UNIT	12
TURNING ON CO ₂ SUPPLY TO THE UNIT	12
ADJUSTING PRIMARY CO ₂ REGULATOR	12
ADJUSTING PRODUCT BLENDER TANKS SECONDARY CO ₂	12
ADJUSTING CARBONATOR SECONDARY CO ₂ REGULATOR	12
STARTING FCB AND ADJUSTING WATER-TO-SYRUP “RATIO” (BRIX) OF DISPENSED PRODUCT	13
FILLING FREEZE CYLINDERS WITH PRODUCT	14
CHECKING UNIT FOR SYRUP, CO ₂ , OR PLAIN WATER LEAKS	14
PLACING UNIT IN OPERATING LOCATION	15
ADJUSTING BEATER MOTOR CURRENT (EITHER SIDE)	15

TABLE OF CONTENTS (cont'd)

	Page
ADJUSTMENT AND PROGRAMMING MAIN MENU SELECTIONS, COMPONENTS "DIAGNOSE" (DIAGNOSTIC MODE), AND "TOTALS"(DISPLAYED CYCLES AND HOURS TOTALS) INTO UNIT	16
PROGRAMMING MAIN MENU SELECTION ONTO MESSAGE DISPLAY	16
SETTING CLOCK (TIME OF DAY)	16
PROGRAMMING "DEFROST" (AUTOMATIC) SETTINGS INTO UNIT ...	17
PROGRAMMING "SLEEP" (SLEEP TIME) INTO UNIT	18
PROGRAMMING "WAKE UP" (WAKE UP TIME) INTO UNIT	19
PROGRAMMING POINT OF SALE MESSAGE DISPLAY	19
ADJUSTING "VIS SET" (PRODUCT VISCOSITY) OF DISPENSED PRODUCT	20
"VIS READ" (ACTUAL VISCOSITY READOUT) OF PRODUCT IN FREEZE CYLINDERS	20
DISPLAYED EVAPORATOR REFRIGERATION COILS INLETS AND COMMON OUTLET SENSORS TEMPERATURES	20
"VOLTAGE" (DISPLAYED VOLTAGE READOUT)	22
PROGRAMMING COMPONENTS "DIAGNOSE" (DIAGNOSTIC MODE) INTO UNIT	22
DISPLAYING "TOTALS" (DISPLAYED CYCLES AND HOURS TOTALS) ONTO MESSAGE DISPLAY	23
PROGRAMMING FREEZE CYLINDERS BEATER "MOTORS" INTO UNIT ELECTRONICS	23
PROGRAMMING PROPER REFRIGERANT TYPE INTO UNIT ELECTRONICS	25
DISPLAYED ERROR CONDITIONS	26
OPERATOR'S INSTRUCTIONS	27
CONTROL PANEL ASS'Y SWITCHES AND DISPLAYED MESSAGES	27
CONTROL PANEL ASS'Y SWITCHES	27
CONTROL PANEL ASSEMBLY DISPLAY MESSAGES	28
FREEZE CYLINDERS MANUAL OR AUTOMATIC DEFROST SYSTEMS	29
MANUAL DEFROST SYSTEM	29
AUTOMATIC DEFROST SYSTEM	29
"SLEEP" (SLEEP TIME) OPERATION	30
"WAKE UP" (WAKE UP TIME)	30
FACEPLATE RELIEF VALVES	30
PRODUCT SAMPLE VALVES	30
PRODUCT SHUTOFF VALVES	30
PRIMARY CO2 REGULATOR	30
SECONDARY CO2 REGULATORS	30
CARBONATED WATER FLOW REGULATORS	30
SYRUP FLOW REGULATORS	31
DISPENSING VALVES	31
DISPENSED PRODUCT CONDITIONS	31
"OVERRUN", AS APPLIED TO FROZEN CARBONATED BEVERAGES ..	31
OPERATING CHARACTERISTICS	32
OPERATING UNIT	32

TABLE OF CONTENTS (cont'd)

	Page
REPLENISHING SYRUP SUPPLY	32
PRODUCT FLAVOR CHANGE	33
CHECKING CO2 SUPPLY	33
CLEANING AND SANITIZING	33
DAILY CLEANING	33
SANITIZING	33
CLEANING CONDENSER COIL	33
LUBRICATION	33
ADJUSTMENTS	34
CARBONATED WATER FLOW RATE	34
WATER-TO-SYRUP "RATIO" (BRIX) OF DISPENSED PRODUCT	34
CO2 REGULATORS	34
ADJUSTING BEATERS MOTORS CURRENTS	34
PROGRAMMING MAIN MENU SELECTIONS ONTO MESSAGE DISPLAY	34
SETTING "CLOCK" (TIME OF DAY)	34
PROGRAMMING "DEFROST" (AUTOMATIC) SETTINGS INTO UNIT ..	34
PROGRAMMING "SLEEP" (SLEEP TIME) INTO UNIT	35
PROGRAMMING "WAKE UP" (WAKE UP) TIME INTO UNIT	35
PROGRAMMING POINT OF SALE MESSAGE DISPLAY	35
ADJUSTING "VIS SET" (PRODUCT VISCOSITY) OF DISPENSED	
PRODUCT	35
"VIS READ" (ACTUAL VISCOSITY READOUT) OF PRODUCT IN	
FREEZE CYLINDERS	35
DISPLAYED EVAPORATOR REFRIGERATION COILS INLETS AND	
COMMON OUTLET SENSORS TEMPERATURES	35
"VOLTAGE" (DISPLAYED VOLTAGE READOUT)	35
PROGRAMMING COMPONENTS "DIAGNOSE" (DIAGNOSTIC MODE)	
INTO UNIT	35
DISPLAYING "TOTALS" (DISPLAYED CYCLES AND HOURS TOTALS)	
ONTO MESSAGE DISPLAY	35
PROGRAMMING FREEZE CYLINDERS BEATER "MOTORS" INTO UNIT	
ELECTRONICS	36
DISPLAYED ERROR CONDITIONS	36
PROGRAMMING PROPER REFRIGERANT TYPE INTO UNIT	
ELECTRONICS	36
WATER STRAINER SCREEN AND DOUBLE LIQUID CHECK VALVE	
MAINTENANCE	36
CLEANING CO2 GAS CHECK VALVES	36
SERVICE AND MAINTENANCE	37
PREPARING UNIT FOR SHIPPING, STORING, OR RELOCATING	37
PERIODIC INSPECTION	37
REMOVAL OF TOP PANEL, BACK PANEL, SIDE PANELS, AND FRONT	
ACCESS PANEL	37
TOP PANEL	37
BACK PANEL	37

TABLE OF CONTENTS (cont'd)

	Page
SIDE PANELS	37
FRONT ACCESS PANEL	38
OPENING AND CLOSING FRONT ACCESS DOOR	38
OPENING FRONT ACCESS DOOR	38
CLOSING FRONT ACCESS DOOR	38
LUBRICATION	38
CARBONATOR WATER PUMP MOTOR	38
SERVICING DISPENSING VALVES CAGED O-RINGS AND FREEZE CYLINDERS DRIVE SHAFT/ SEAL ASSEMBLIES	38
CLEANING CONDENSER COIL	43
ADJUSTMENTS	43
ADJUSTING PLAIN WATER PRESSURE REGULATOR	43
ADJUSTING CARBONATED WATER FLOW RATE	43
ADJUSTING CO2 REGULATORS	47
ADJUSTING BRIX (WATER-TO-SYRUP) "RATIO" OF DISPENSED PRODUCT	48
PRODUCT CARBONATION ADJUSTMENT	49
CLEANING AND SANITIZING	49
DAILY CLEANING OF UNIT	49
SANITIZING SYRUP SYSTEMS	49
YEARLY OR AFTER WATER SYSTEM DISRUPTION	52
SERVICING CARBONATOR WATER PUMP WATER STRAINER SCREEN	52
SERVICING CARBONATOR WATER PUMP DOUBLE LIQUID CHECK VALVE	53
REPLENISHING SYRUP SUPPLY	54
REPLENISHING CO2 SUPPLY	55
SYRUP FLAVOR CHANGE	55
CLEANING CO2 GAS CHECK VALVES	57
REPLACING FREEZE CYLINDER BEATER DRIVE MOTOR	57
ADJUSTING CARBONATOR TANK LIQUID LEVEL	58
TROUBLESHOOTING	63
TROUBLESHOOTING CONTROL PANEL SWITCHES AND FAULT MESSAGES	63
ONE OR MORE CONTROL PANEL SWITCHES NOT OPERATING.	63
ALL CONTROL PANEL SWITCHES NOT OPERATING.	63
CONTROL PANEL SWITCHES CANNOT BE DEACTIVATED.	64
PARTIAL MESSAGE OR DULL (POORLY ILLUMINATED) DISPLAY.	64
ONE OR MORE FAULT MESSAGES NOT OPERATING.	64
ALL FAULT MESSAGES NOT OPERATING.	64
"CO2 OUT" FAULT MESSAGE GOES ON DURING OPERATION.	65
"H2O OUT" FAULT MESSAGE GOES ON DURING OPERATION.	65
"SYRUP 1" OR "SYRUP 2" FAULT MESSAGE GOES ON DURING OPERATION.	65
"ERROR 1" OR "ERROR 2" FAULT MESSAGE GOES ON DURING OPERATION.	65

TABLE OF CONTENTS (cont'd)

	Page
FREEZE CYLINDER AUTOMATIC DEFROST CYCLE DOES NOT OPERATE.	65
UNIT DOES NOT GO OFF AUTOMATIC DEFROST CYCLE.	65
MANUAL DEFROST CYCLE DOES NOT OPERATE WHEN “DEFROST” SWITCH IS PRESSED.	65
MANUAL DEFROST CYCLE DOES NOT OPERATE WHEN “DEFROST” SWITCH IS PRESSED. (CONT'D)	66
DEFROST CYCLE DOES NOT CANCEL AFTER PRESSING “CANCEL DEFROST ” SWITCH.	66
TROUBLESHOOTING PRODUCT BLENDER TANKS AND CARBONATOR ...	66
CARBONATOR WATER PUMP MOTOR WILL NOT OPERATE.	66
CARBONATOR WATER PUMP WILL NOT SHUT OFF.	67
ERRATIC CARBONATOR WATER PUMP CYCLING.	67
TROUBLESHOOTING DISPENSED PRODUCT	67
BRIX (WATER-TO-SYRUP) “RATIO” TOO LOW.	67
BRIX (WATER-TO-SYRUP) “RATIO” TOO HIGH.	67
IMPROPER PRODUCT DISPENSED.	67
PRODUCT WILL NOT DISPENSE OUT OF DISPENSING VALVE, IN ONLY SMALL AMOUNTS, OR ONLY LIQUID.	67
FREEZE CYLINDER DOES NOT REFILL AT ALL TIMES WHEN DISPENSING.	67
FROZEN PRODUCT CONSISTENCY VARIES EXCESSIVELY.	68
CYLINDER FREEZE-UP.	68
WARRANTY	88

LIST OF FIGURES

FIGURE 1. FCB OVERCOUNTER POST-MIX DISPENSER	3
FIGURE 2. FLOW DIAGRAM	5
FIGURE 3. CONTROL PANEL ASS'Y	13
FIGURE 4. MASTER AND RELAY CIRCUIT BOARD	21
FIGURE 5. OPERATING CONTROLS	39
FIGURE 6. UNIT INTERNAL COMPONENTS	40
FIGURE 7. SELF-CLOSING DISPENSING VALVE	41
FIGURE 8. FREEZE CYLINDER CUTAWAY VIEW	44
FIGURE 9. SERVICING BEATER MOTOR DRIVE SHAFT/SEAL ASSEMBLY .	45
FIGURE 10. BEATERS AND SCRAPER BLADES INSTALLATION	46
FIGURE 11. LIQUID CHECK VALVE ASSEMBLY	53
FIGURE 12. WATER STRAINER SCREEN AND DOUBLE LIQUID CHECK VALVE	56
FIGURE 13. CO2 GAS CHECK VALVE	57
FIGURE 14. CARBONATOR LIQUID LEVEL CONTROL SWITCH ADJUSTMENT	59
FIGURE 15. REFRIGERATION FLOW DIAGRAM	60
FIGURE 16. WIRING DIAGRAM	61
FIGURE 17. OVERCOUNTER FCB POST-MIX DISPENSER	70
FIGURE 18. SECONDARY CO2 REGULATOR COMPONENTS	73

TABLE OF CONTENTS (cont'd)

Page

LIST OF FIGURES (CONT'D)

FIGURE 19. CONTROL BOX COMPONENTS	73
FIGURE 20. SECONDARY CO2 REGULATOR ASS'Y	74
FIGURE 21. TUBE ASSEMBLY	74
FIGURE 22. TUBE ASSEMBLY	74
FIGURE 23. CO2 REGULATOR ASSEMBLY	75
FIGURE 24. CHECK VALVE ASSEMBLY	75
FIGURE 25. BLENDER AND TUBING COMPONENTS	76
FIGURE 26. TUBING ASSEMBLY (CARB WATER)	77
FIGURE 27. TUBING ASSEMBLY (SYRUP)	77
FIGURE 28. TUBING ASSEMBLY (BLENDER TO FREEZE CYLINDER)	77
FIGURE 29. TUBING ASSEMBLY (WATER SOLENOID TO BLENDER)	78
FIGURE 30. TUBING ASSEMBLY (REGULATOR TO BLENDER)	78
FIGURE 31. DOUBLE CHECK VALVE ASSEMBLY	78
FIGURE 32. SOLENOID VALVE ASSEMBLY	79
FIGURE 33. BLENDER COMPONENTS	80
FIGURE 34. CONTROL BOX AND DISPLAY PANEL COMPONENTS	81
FIGURE 35. FACEPLATE ASSEMBLY	82
FIGURE 36. DISPENSING VALVE ASSEMBLY	83
FIGURE 37. CARBONATOR COMPONENTS	84
FIGURE 38. TUBING ASSEMBLY	84
FIGURE 39. DRIP TRAY DRAIN KIT	84
FIGURE 40. CARBONATOR TANK AND LINKAGE ASSEMBLY	85
FIGURE 41. PUMP AND MOTOR ASS'Y	86
FIGURE 42. BEATER MOTOR DRIVE SHAFT/SEAL ASS'Y	87

LIST OF TABLES

TABLE 1. DESIGN DATA	1
TABLE 2. ACCESSORIES AND TOOLS	2
TABLE 3. LOOSE-SHIPED PARTS	7
TABLE 4. MAIN MENU SELECTIONS	17
TABLE 5. DIP SWITCH FUNCTIONS	18
TABLE 6. MOTOR SELECT	19
TABLE 7. POINT OF SALE DISPLAY MESSAGES	19
TABLE 8 "TOTALS" (DISPLAYED CYCLES AND HOURS TOTALS) MENU	24
TABLE 9 DISPLAYED ERROR CONDITIONS	25

GENERAL DESCRIPTION

IMPORTANT: To the user of this manual – This manual is a guide for installing, operating, and maintaining this equipment. Refer to Table of Contents for page location of information pertaining to questions that arise during installation, operation, service and maintenance, or troubleshooting this equipment.

These Units *must* be installed and serviced by a qualified Service Person. These Units contain no User serviceable parts.

Warranty Registration Date (to be filled out by customer)
Model Number:
Serial Number:
Install Date:
Local Authorized Service Center:

GENERAL DESCRIPTION

This section gives the description, theory of operation, and design data for the FCB (Frozen Carbonated Beverage) Overcounter Post-Mix Dispenser with V3+ Features (hereafter referred to as a Unit).

UNIT DESCRIPTION

The Unit (see Figure 1) consists basically of two freeze cylinders each containing an internal beater driven by an electric motor, one refrigeration system with a 2-horsepower compressor, one carbonator which feeds both carbonator-blender tanks, a timer-controlled automatic hot-gas defrost system to defrost the freeze cylinders, and interconnecting tubing, components, and fittings necessary to regulate, transfer, and dispense product.

The components are attached to a steel frame and are enclosed in a steel cabinet. The cabinet sides and back panels are easily removed and the front access door may be opened to facilitate installation and service and maintenance. A transparent faceplate, with an integral relief valve and a removable self-closing dispensing valve, is mounted on front of each freeze cylinder. A drip tray, with cup rest, is located directly below the dispensing valves.



CAUTION: Before shipping, storing, or relocating Unit, syrup systems must be sanitized and all sanitizing solution must be purged from syrup systems. All water must also be purged from plain and carbonated water systems. A freezing ambient environment will cause residual sanitizing solution or water remaining inside Unit to freeze, resulting in damage to internal components.

Table 1. Design Data

Unit Part Numbers:	
60 HZ Unit	416136XXXX
50 HZ Unit	496136XXXX
Overall Dimensions:	
Height	32 inches
Width	19 inches
Depth W/O Drip Tray	31 1/8 inches
Depth W/Drip Tray	36 inches
Shipping Weight (approx)	420 pounds

Table 1. Design Data (cont'd)	
Refrigeration System:	
Compressor Horsepower	2 H.P.
Refrigerant Type And Charge	See Unit Nameplate
Ambient Operating Temperature	40° F to 100° F
Electrical Requirements:	
Operating Voltage	See Unit Nameplate
Operating Current	See Unit Nameplate
Table 2. Accessories and Tools	
ACCESSORIES	
Installation kits	1155
Cup Holder	511005000
Cup Holder	511006000
CO ₂ Changeover Kit	511035000
GENERIC FLAVOR TABS	
Cola	1085
Cherry	1086
Orange	1087
Grape	1088
Lemon-Lime	1089
Strawberry	1090
Banana	1091
SERVICE TOOLS	
3-gallon Sanitizing Tank	281884000
Spanner Wrench, Dispensing Valve	322859000
Refractometer, 0-30 Scale	511004000
Wrench, Rear Seal Housing	2899
Tool, Drive/Coupler Adjustment Gauge	3810

THEORY OF OPERATION

(see Figure 2)

A CO₂ cylinder delivers carbon dioxide (CO₂) gas to an adjustable primary CO₂ regulator assembly which is attached to the cylinder. The primary CO₂ regulator assembly in turn delivers CO₂ gas to adjustable secondary CO₂ regulators inside the Unit and also to two soft drink tanks. CO₂ is delivered from the adjustable secondary CO₂ regulators to the carbonator tank and also to product-blender tanks inside the Unit. CO₂ gas pressure pushes syrup out of the soft drink tanks through the syrup sold-out switches, through adjustable syrup flow regulators, through electrically operated syrup solenoid valves, and on to the product blender tanks. At the same time, plain water passes through the water pressure regulator and is pumped into the carbonated water tank by the water pump and is carbonated by CO₂ gas pressure also entering the tank. Carbonated water is pushed by CO₂ gas pressure from the carbonated water tank, through adjustable carbonated water flow regulators, through electrically operated carbonated water solenoid valves, and on to the product blender tanks. Carbonated water and syrup enter the tanks properly proportioned (blended) for desired BRIX of dispensed product by adjustment of the syrup flow regulators.

From product blender tanks, product is pushed by the CO₂ gas into the freeze cylinders. The beater in each freeze cylinder is driven by an electric motor. Scraper blades, attached to the beaters, scrape product from the cylinder walls as product enters the freeze cylinders and is frozen.

Transparent faceplate, attached to the front of each freeze cylinder, includes a self-closing dispensing valve and a spring-loaded relief valve that protects freeze cylinder from accidental over pressure. The relief valve is also used to bleed CO₂ gas pressure from the freeze cylinder to atmosphere when filling the cylinder with product. Electronic sensing on each freeze cylinder motor provides a means of adjusting viscosity (consistency) of the dispensed product to suit customer preference.

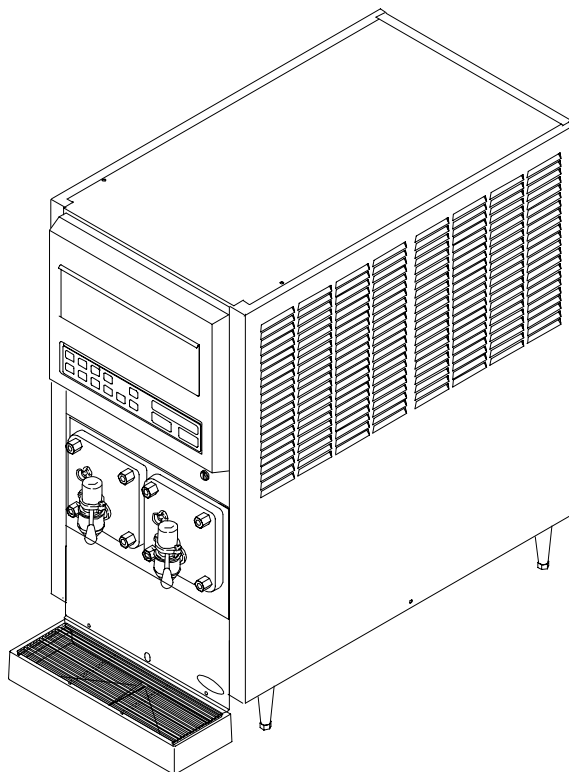


FIGURE 1. FCB OVERCOUNTER POST-MIX DISPENSER

DEFROST SYSTEMS

The Unit is equipped with both manual and automatic hot-gas defrost systems. The automatic defrost system may be programmed into the Unit to occur up to nine different times a day with a minimum of two hours between defrost time settings or the system may be completely turned off.

MANUAL DEFROST SYSTEM

The Manual hot-gas defrost system may be activated at any time by pressing the “DEFROST” switch on front of the Unit. Refrigeration compressor will operate for a short time, then both freeze cylinders will go into defrost for approximately 60 seconds. At the end of the manual defrost cycle, the Unit will return to normal operation. Manual defrost may be cancelled at any time by pressing the “CANCEL DEFROST” switch.

AUTOMATIC DEFROST SYSTEM

The automatic hot-gas defrost system may be programmed into the Unit to occur up to nine different times a day with a minimum of two hours between defrost settings. At the start of each automatic defrost cycle, refrigeration compressor will operate for 30 seconds to pump freon out of the freeze cylinders evaporator coils.

After freon has been pumped out of the freeze cylinders evaporator coils, No. 1 freeze cylinders only will go into defrost cycle for approximately 7 minutes, then will return to normal operation. This ends the automatic defrost cycle of the No. 1 freeze cylinder. No. 2 freeze cylinder will defrost 30 minutes after the start of No. 1 freeze cylinder. The next automatic defrost cycle will occur according to the time programmed into the Unit. Automatic defrost may be cancelled at any time by pressing the “CANCEL DEFROST” switch.

“SLEEP” (SLEEP TIME)

“SLEEP” (SLEEP TIME) may be programmed into Unit to allow Unit to go into sleep time (Unit shut down, freeze cylinders beaters and refrigeration systems not operating). At start of sleep time, refrigeration compressor will operate for 30 seconds to pump freon out of freeze cylinders evaporator coils, then No. 1 freeze cylinder will go into defrost for 60 seconds. After No. 1 freeze cylinder has defrosted, No. 2 freeze cylinder will go into defrost for 60 seconds. At the end of No. 2 freeze cylinder defrost, Unit will shut down and go into sleep time.

“WAKE UP” (WAKE UP TIME)

“WAKE UP” (WAKE UP TIME) may be programmed into the Unit to allow Unit to resume normal operation at a desired time. When programmed wake up time is reached, an alarm will sound for a short duration, then Unit will resume normal operation.

NOTE: Automatic defrost, sleep time, and wake up time may be used in any combination together or separately.

*WATER PRESSURE REGULATOR IS FACTORY ADJUSTED TO 45-PSI AND SHOULD NOT BE READJUSTED.

**SYRUP SOLD-OUT SWITCHES ARE FACTORY ADJUSTED AND SHOULD NOT BE READJUSTED.

LINE LEGEND

- CO₂ —————
- PLAIN WATER ————
- CARB WATER - - - - -
- SYRUP —————
- PRODUCT - - - - -

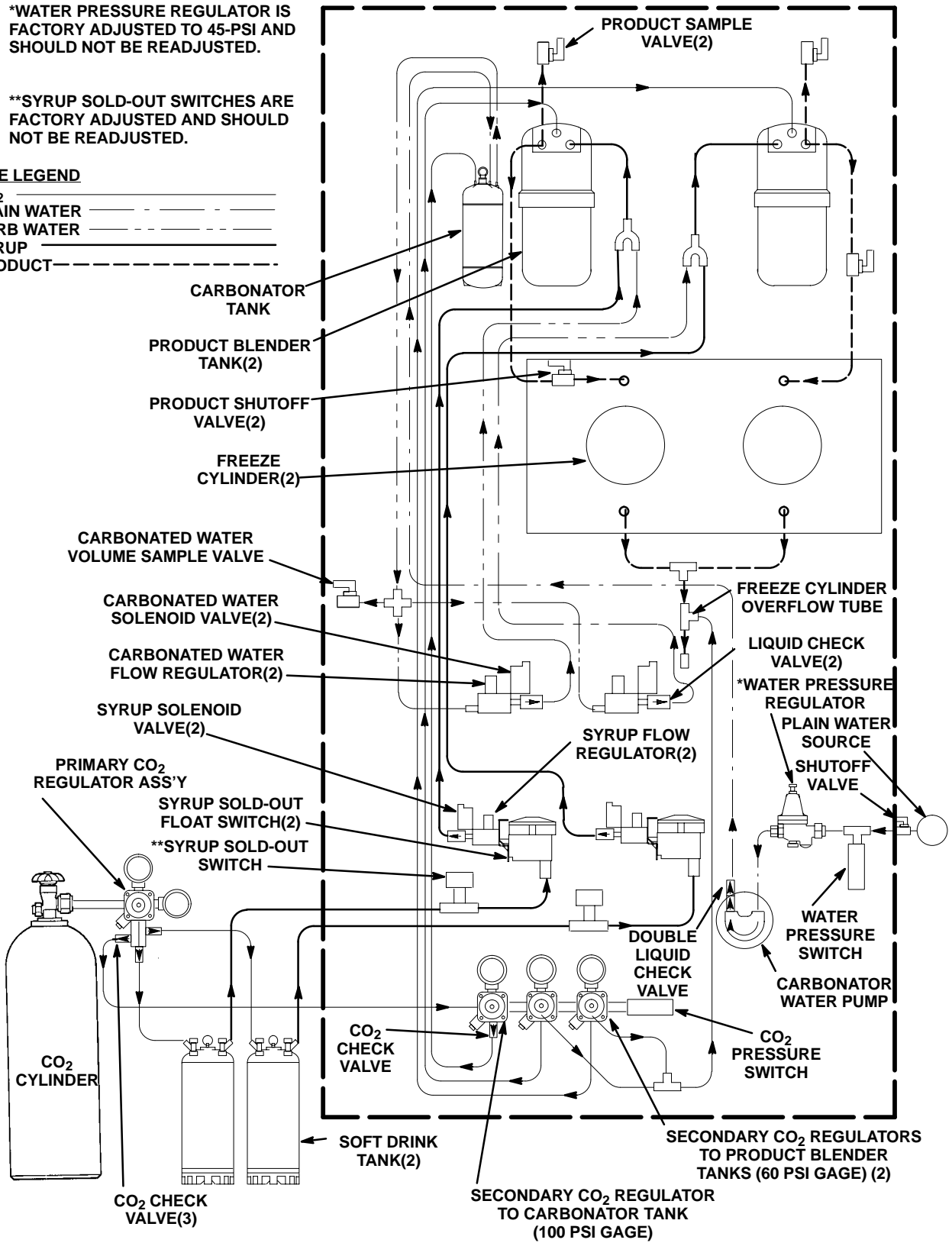


FIGURE 2. FLOW DIAGRAM

THIS PAGE LEFT BLANK INTENTIONALLY

INSTALLATION

This section covers unpacking and inspection, installing Loose-Shipped Parts, selecting location, installing Unit, preparing for operation, and operation.

UNPACKING AND INSPECTION

(see Figure 5)

NOTE: The Unit was thoroughly inspected before leaving the factory and the carrier has accepted and signed for it. Any damage or irregularities should be noted at time of delivery (or not later than 15 days from date of delivery) and immediately reported to the delivering carrier. Request a written inspection report from a Claims Inspector to substantiate any necessary claim. File claim with the delivering carrier, not with IMI Cornelius Inc.

1. After Unit has been unpacked, remove shipping tape and other packing material.
2. Remove Unit sides and back panels as instructed.
3. Remove shipping bolts that secure Unit to skid, then remove skid.
4. Unpack Loose-Shipped Parts. Make sure all items are present and in good condition.

Table 3. Loose-Shipped Parts			
Item No.	Part No.	Name	Qty.
1	178025100	Tapered Gasket, White	4
2	322859000	Spanner Wrench, Dispensing Valve	1
3	325216000	Cleaning Brush	1
4	311304000	Tapered Gasket, Black	1
5	317660000	Cup Rest	1
6	325282000	Thread Cutting Screw, Hex Hd.; No. 8 by 18 by 1/2-in. long	2
7	2738	Drip Tray Support, Left	1
8	2739	Drip Tray Support, Right	1
9	317659029	Drip Tray	1
10	326002000	Kit, Drip Tray Drain Hose	1
11	2899	Wrench, Rear Seal Housing	1
12	3810	Tool, Drive/Coupler Adjustment Gauge	1
13	324252000	Leveling Leg	4
14	3247	Spacer, White	2
15	3221	Front Access Panel	1
16	3108	Thread Cutting Screw, Phil Pan Hd; No. 10 by 32 by 1-in. long	2

IDENTIFICATION OF LOOSE-SHIPED PARTS

1. Tapered gaskets, white (item 1) are used to seal connections when connecting Unit product inlet lines to product tanks and connecting Unit CO₂ inlet line to CO₂ source.
2. Spanner wrench, dispensing valve (item 2) is used to remove shank nuts securing dispensing valves to faceplates.

3. Cleaning brush (item 3) is used to clean faceplate relief valves passages.
4. Tapered gasket, black (item 4) is used to seal connection when connecting plain water source line to Unit water inlet line.
5. Drip tray supports (item 7 and item 8) are to be installed on front of Unit (See Figure 5) and secured with thread cutting screws (item 6) and thread cutting screw (item 16).
6. Cup rest (item 5) is to be installed in drip tray (item 9), then drip tray is to be installed on drip tray supports.
7. Drip tray drain hose kit (item 10) is to be installed on drip tray as instructed in Instructions provided in the Kit.
8. Wrench, rear seal housing (item 11) is used to remove the drive shaft/seal assembly from inside the freeze cylinder.
9. Tool, drive/coupler adjustment gauge (item 12) is used for servicing the beater motor drive shaft/ seal assembly (See Figure 9).
10. Leveling legs (item 13) are to be installed on bottom of the Unit.
11. Front access panel (item 15) is to be installed on front of the Unit (See Figure 5) and secured with white spacers (item 14) and screws (item 16). Spacers are to be installed between the front panel and the unit frame.

ELECTRICAL POWER REQUIREMENTS

IMPORTANT: Before connecting electrical power to the Unit, refer to nameplate and note if Unit is to be operated with 50 or 60 Hz power source.

60 HZ UNIT

IMPORTANT: Power circuit voltage across L₁ and L₂ terminals on contactor inside lower electrical control box, with refrigeration compressor operating, *must* be in range of 198-253 VAC, 60 Hz single-phase for proper operation.

A properly grounded 198-253 VAC, 60 Hz single-phase electrical circuit connected through a 30-amp minimum-rated disconnect switch (not provided) fused at 30-amperes (slow-blow) or circuit connected through an equivalent HACR circuit breaker must be available to be connected to the electrical box located in lower back side of the Unit. ALL WIRING MUST CONFORM TO NATIONAL AND LOCAL CODES. MAKE SURE UNIT IS PROPERLY GROUNDED.

50 HZ UNIT



DANGER: To avoid possible fatal electrical shock or serious injury to the Operator, it is required that an ELCB (earth leakage circuit breaker) be installed in the electrical power circuit for all 50-Hz Units.

IMPORTANT: Power circuit voltage across L₁ and L₂ terminals on contactor inside lower control box, with refrigeration compressor operating, *must* be in range of 209-253 VAC, 50 Hz single-phase for proper operation.

A properly grounded 209-253 VAC, 50 Hz single-phase electrical circuit connected through a 30-amp minimum-rated disconnect switch (not provided) fused at 30-amperes (slow-blow) must be available to be connected to the electrical box located in the lower back side of the Unit.

SELECTING LOCATION

IMPORTANT: Unit operating ambient temperature *MUST NOT EXCEED* 100°F. Operating ambient in excess of 100°F will automatically void the factory warranty and will eventually result in Unit failure. Several means are available to achieve proper ambient temperature and air circulation around the Unit, which are wall air intake grilles and ceiling exhaust fans, air conditioning, etc. Consult local codes.

Locate the Unit so the following requirements are satisfied.

1. Close to a filtered plain water inlet supply line with a minimum water pressure of 12-psig.

NOTE: The FCB Dispenser refrigeration system is equipped with a condenser coil that is cooled by two condenser coil fans. Circulating air, required to cool the refrigeration system's condenser coil, is drawn in through the grilled panel on the right-hand side and is exhausted out through the opposite side grilled panel. Restricting air circulation through the Unit will decrease its cooling efficiency.

2. When installing Unit in its operating position, *do not* allow obstructions to block sides, top, and front of the Unit which will block off cooling air intake to the inside of the Unit. Air flow through the Unit *must* be present to provide adequate cooling for the refrigeration system.



CAUTION: Do not place or store anything on top of the Unit.

Locate the Unit to provide the following clearances:

Top of Unit	Open (24-inches min.)
Back side	0-inches
Sides	6-inches (min)
Front	Open

INSTALLING UNIT



CAUTION: This Unit is intended for indoor installation *only*. Do not install this Unit in an outdoor environment which would expose it to the outside elements.

IMPORTANT: After Unit has been placed in operating position, *make sure* it is sitting in a level position on a surface that provides adequate support and stability.

INSTALLING LEVELING LEGS

Very carefully, tilt Unit up and install LEVELING LEGS (item 13) on four corners of the Unit base.

INSTALLING DRIP TRAY SUPPORTS (ITEM 7) AND (ITEM 8)

1. Install DRIP TRAY SUPPORT, LEFT (item 7) and DRIP TRAY SUPPORT, RIGHT (item 8) on front of the Unit and secure with SCREWS (item 6). See Figure 5.
2. Place DRIP TRAY (item 9) on drip tray supports.
3. Place CUP REST (item 5) in drip tray.

INSTALLING DRIP TRAY DRAIN HOSE KIT (ITEM 10)

Install DRIP TRAY DRAIN HOSE KIT (item 10) on Unit as instructed in Installation Instructions provided with the Kit.

PREPARING UNIT FOR CONNECTION TO SYRUP, CO₂, AND CITY PLAIN WATER SOURCES

Route coiled up syrup, CO₂, and plain water lines out through the hole provided in the Unit base.

INSTALLING PRIMARY CO₂ REGULATOR ASSEMBLY ON CO₂ CYLINDER

(see Figure 2)



WARNING: To avoid personal injury and/or property damage, always secure CO₂ cylinder in upright position with a safety chain to prevent it from falling over. Should the valve become accidentally damaged or broken off, CO₂ cylinder can cause serious personal injury.



WARNING: CO₂ displaces oxygen. Strict attention *must* be observed in the prevention of CO₂ (carbon dioxide) gas leaks in the entire CO₂ and soft drink system. If a CO₂ gas leak is suspected, particularly in a small area, *immediately* ventilate the contaminated area before attempting to repair the leak. Personnel exposed to high concentration of CO₂ gas will experience tremors which are followed rapidly by loss of consciousness and suffocation.

1. Unscrew protector cap (with chain attached) from CO₂ cylinder valve. Open CO₂ cylinder valve slightly counterclockwise to blow any dirt or dust from outlet fitting before installing primary CO₂ regulator, then close valve.
2. Remove shipping plug from primary CO₂ regulator assembly coupling nut and make sure gasket is in place inside nut. Install regulator assembly on CO₂ cylinder so gages can be easily read, then tighten coupling nut. DO NOT OPEN CO₂ CYLINDER VALVE AT THIS TIME.

CONNECTING SOFT DRINK TANKS CO₂ LINES TO PRIMARY CO₂ REGULATOR ASSEMBLY

(see Figure 2)

1. Connect soft drink tanks CO₂ lines to primary CO₂ regulator manifold assembly as shown in Figure 2.
2. Install gas quick disconnects on ends of soft drink tanks CO₂ lines. DO NOT CONNECT CO₂ LINES TO TANKS AT THIS TIME.

PREPARING UNIT SYRUP INLET LINES FOR CONNECTION TO SOFT DRINK TANKS

(see Figure 2)

1. Route Unit syrup inlet lines labeled No. 1 and No. 2 to soft drink tanks location.
2. Install liquid quick disconnects on ends of Unit syrup inlet lines. DO NOT CONNECT SYRUP LINES TO SOFT DRINK TANKS AT THIS TIME.

CONNECTING CO₂ SOURCE LINE TO UNIT CO₂ INLET LINE

(see Figure 2)

1. Connect and route a CO₂ source line from the primary CO₂ regulator up to the Unit.

2. Connect the CO₂ source line to the Unit CO₂ inlet line. DO NOT TURN ON THE CO₂ SOURCE AT THIS TIME.

CONNECTING CITY PLAIN WATER SOURCE LINE TO UNIT

NOTE: The Units require connection to a city plain water source line with a minimum water pressure of 12-psig. IMI Cornelius Inc. recommends that a water shutoff valve and water filter be installed in the City plain water source line (see Figure 2). A Cornelius Water Filter (P/N 313860000) and Quick Disconnect Set (P/N 313867000) are recommended.

1. Connect and route city plain water source line up to the Unit.
2. Before connecting the City plain water source line to the Unit, open shutoff valve in City plain water source line for a period of time to flush out any metal shavings, then close valve.
3. Connect the city plain water source line to the Unit plain water inlet line. Seal connection with tapered gasket, black(item 4). Do not open the city plain source line support valve at this time.

CONNECTING ELECTRICAL POWER CIRCUIT TO THE UNIT

(see Figure 16)



WARNING: Make sure Unit 30-amp (60 Hz Unit) or 50-amp (50 Hz Unit) minimum-rated disconnect switch (not provided) or equivalent HACR circuit breaker is in “OFF” position.

60 HZ Unit.

IMPORTANT: Power circuit voltage across L₁ and L₂ terminals on the contactor inside the lower electrical control box, with refrigeration compressor operating, must be in the range of 198-253 VAC, 60 Hz single-phase for proper operation. Use No. 10 AWG copper wire, or larger, depending upon line length, in suitable conduit or BX sheath. **POWER CIRCUIT TO UNIT *MUST* BE MADE UP OF COPPER CONDUCTORS AND ALL WIRING *MUST* CONFORM TO NATIONAL AND LOCAL CODES.**

50 HZ Unit.

IMPORTANT: Power circuit voltage across L₁ and L₂ terminals on the contactor inside the lower electrical control box, with refrigeration compressor operating, *must* be in the operating range of 209-253 VAC, 50 Hz single-phase for proper operation.

1. Remove cover from electrical box located in lower back side of the Unit.



WARNING: The Unit must be electrically grounded to avoid possible fatal electrical shock or serious injury to the operator. A green screw, with lock washer, is provided inside the electrical box to connect power circuit ground wire, which will electrically ground the Unit.

2. Connect electrical power circuit from a 30-amp (60 Hz Unit) or 30-amps (50 Hz Unit) minimum-rated disconnect switch (not provided) fused at 30-amps (60 Hz Unit) or 30-amps (50 Hz Unit) (slow-blow) or through an equivalent HACR circuit breaker to electrical wires inside the electrical control box. Secure the connections with red wire nuts. **MAKE SURE GROUND WIRE IS CONNECTED TO GREEN GROUND SCREW INSIDE THE ELECTRICAL BOX.**
3. Install the electrical box cover and secure with screws.

PREPARATION FOR OPERATION

TURNING ON ELECTRICAL POWER TO UNIT

Turn on electrical power to the Unit. Operational status of the Unit is now being displayed as fault messages on the control panel message display. The following fault messages will be continuously displayed at 2-second intervals until necessary operation requirements are satisfied.

- “OFF 1” (Beater Motor No. 1 not operating)
- “OFF 2” (Beater Motor No. 2 not operating)
- “H₂O OUT” (No water supply to Unit)
- “CO₂ OUT” (No CO₂ gas supply to Unit)
- “SYRUP 1” (No syrup supply to Unit No. 1 syrup system)
- “SYRUP 2” (No syrup supply to Unit No. 2 syrup system)

TURNING ON CO₂ SUPPLY TO the UNIT

1. Open CO₂ cylinder valve slightly to allow lines to slowly fill with gas, then open valve fully to backseat valve. Back-seating valve prevents leakage around valve shaft.

ADJUSTING PRIMARY CO₂ REGULATOR

IMPORTANT: If bag-in-box syrup supply system will be connected to the Unit instead of soft drink tanks, primary CO₂ regulator (see Figure 2) *must* be adjusted to no less than 80-psi.

1. Adjust primary CO₂ regulator (see Figure 2) by turning regulator adjusting screw to the right (clockwise) until regulator pressure reads 80 to 100-psig. “OUT OF CO₂” warning light on control panel message display should have gone out.
2. Using a flat blade screwdriver, turn lock counterclockwise to unlock the front access door (see Figure 5), then open the door for access to the product blender tanks relief valves (see Figure 6).
3. Pull up on product blender tanks relief valves (see Figure 6) to purge air from tanks.

ADJUSTING PRODUCT BLENDER TANKS SECONDARY CO₂

Check product blender tanks secondary CO₂ regulators with 60-psi gages (see Figures 2 and 6) for pressure setting which should be set at 25 to 30-psi for best textured product. If further adjustment is necessary, adjust as instructed.

ADJUSTING CARBONATOR SECONDARY CO₂ REGULATOR

IMPORTANT: The carbonator secondary CO₂ regulator must be adjusted 25-psi higher or more above the product blender tanks secondary CO₂ regulators pressure settings. Carbonated water and syrup pressures must be able to overcome and vent product blender tanks head pressures while tanks are filling with carbonated water and syrup. Carbonator tank secondary CO₂ regulator not adjusted high enough will cause decreased flow of carbonated water into the blender tanks, which will increase brix of the dispensed product.

1. Adjust carbonator secondary CO₂ regulator, with 100-psi gage, by turning regulator adjusting screw to the right (clockwise) until gage reads 50 to 60-psi.
2. Pull up on carbonator tank relief valve plastic cover to purge air from tank.

STARTING FCB AND ADJUSTING WATER-TO-SYRUP “RATIO” (BRIX) OF DISPENSED PRODUCT

1. Open shutoff valve in city plain water line connected to the Unit. Check for water leaks and tighten or repair leaks if evident. “H₂O OUT” fault message should have gone out but “SYRUP 1”, and “SYRUP 2” fault messages will continue to be displayed.

IMPORTANT: Product shutoff valves, located in lines leading from product blender tanks to freeze cylinders (see Figure 2 and 6), must be closed at this time. Closing valves prevents product from filling freeze cylinders while checking BRIX of product in product blender tanks.

2. Close product shutoff valves, located in lines leading from product blender tanks to freeze cylinders, to prevent product from entering cylinders.

IMPORTANT: The following CO₂ and liquid disconnects disconnecting and connecting procedure for soft drink tank replacement or filling soft drink tank in place must be performed in order as follows:

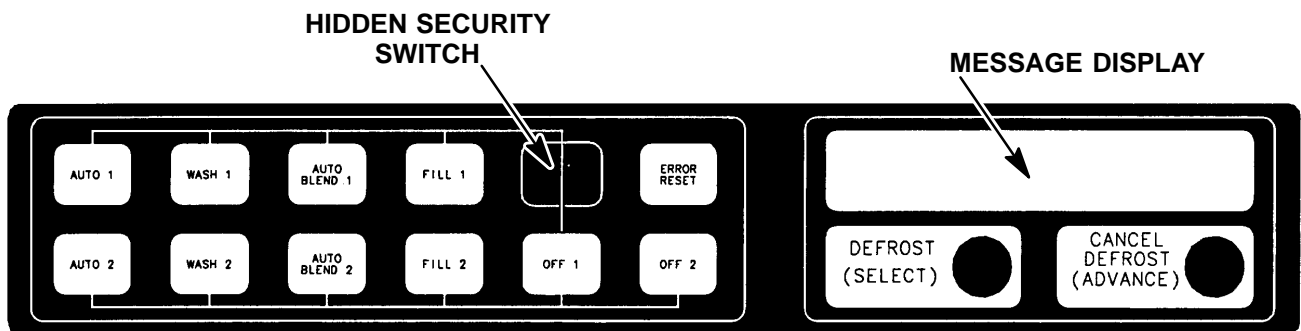


FIGURE 3. CONTROL PANEL ASS'Y

To disconnect soft drink tank from Unit syrup system.

- A. Disconnect liquid disconnect from soft drink tank. **NOTE – Disconnecting liquid quick disconnect from soft drink tank first prevents syrup from backflowing through Unit syrup flow regulator which may alter regulator adjustment.**
- B. Second, disconnect CO₂ quick disconnect from soft drink tank.

To connect soft drink tank into Unit syrup system.

- A. First, connect CO₂ quick disconnect to soft drink tank to pressurize the tank.
 - B. Second, connect liquid quick disconnect to the soft drink tank.
3. Pressurize soft drink tanks containing syrup, then connect tanks into Unit syrup systems. “OFF 1”, “OFF 2”, “SYRUP 1”, and “SYRUP 2” fault messages will continue to be displayed.
 4. The following steps A through J are instructions for adjusting the Water-to-Syrup “Ratio” (BRIX) of the dispensed product on one of the systems.

NOTE: The Unit control panel assembly is equipped with a hidden “SECURITY SWITCH” located between “FILL 1” and “ERROR RESET” control switches (see Figure 3). Pressing in and holding the “SECURITY SWITCH” for 3 seconds deactivates the control switches preventing tampering with Unit normal operation. To reactivate the control switches, press in and hold the “SECURITY SWITCH” for 3 seconds.

NOTE: The adjustable carbonated water flow regulators (see Figure 2 and 12) located in their respective systems, control carbonated water flow rate to the product blender tanks. The water flow regulators are factory adjusted at 1.3 ± 0.05 oz/second and should not normally require adjustment. If adjustment is necessary, adjust as instructed.

- A. Press “FILL 1” switch to fill No. 1 syrup system sold-out float. “SYRUP 1” fault message will go out and “FILL 1” fault message will come on. “OFF 1”, “OFF 2”, and “SYRUP 2” fault messages will continue to be displayed.

- B. Press “AUTO BLEND 1” switch to fill No. 1 system product blender tank with product. “FILL 1” fault message will go out when “AUTO BLEND 1” switch is pressed. When product blender tank is full, press “FILL 1” switch to prevent more product from entering tank. “OFF 1”, “OFF 2”, and “SYRUP 2” fault messages will continue to be displayed.
- C. Open No. 1 product blender tank product sample valve (see Figure 2 and 6) and take sample (approximately 6-ounces) of product in a cup or glass.

NOTE: Temperature compensated hand-type refractometers (P/N 511004000) are available from The Cornelius Company.

- D. Check product BRIX with a temperature compensated hand-type refractometer. BRIX should read 13 ± 1. If BRIX is not within tolerance, adjust white syrup flow regulator for No. 1 syrup system as follows:
- E. Turn regulator adjusting screw to the left (counterclockwise) no more than 1/8-turn at a time to reduce syrup flow rate or turn screw to the right (clockwise) no more than 1/8-turn to increase flow rate.
- F. Place container under No. 1 product sample valve. Open valve to purge product out of product blender tank, line, and valve, then close valve. “OFF 1”, “OFF 2”, and “SYRUP 2” will continue to be displayed.
- G. Press “AUTO BLEND 1” switch to run new batch of product into product blender tank. When product blender tank is full, press “FILL 1” switch to prevent more product from entering product blender tank. “OFF 1”, “OFF 2”, and “SYRUP 2” fault messages will continue to be displayed.
- H. Repeat steps C and D preceding to check product sample for BRIX.
- I. Repeat steps F through H preceding until proper BRIX adjustment is achieved.
- J. Repeat steps A through I preceding to adjust BRIX of dispensed product on No. 2 system. After completing BRIX adjustment on No. 2 system, only the “OFF 1” and “OFF 2” fault messages should continue to be displayed.

NOTE: Syrup systems may be sanitized at this time as instructed.

FILLING FREEZE CYLINDERS WITH PRODUCT

1. Open product shutoff valves, located in lines leading from product blender tanks to freeze cylinders.
2. Press “AUTO BLEND 1” and “AUTO BLEND 2” switches to begin filling freeze cylinders. Open freeze cylinders faceplates relief valves to bleed air from cylinders while filling with product, then close valves. Do not relieve freeze cylinder pressure too fast or product will foam excessively in cylinder and lose carbonation.

CHECKING UNIT FOR SYRUP, CO₂, OR PLAIN WATER LEAKS

1. Inspect the entire Unit and the entire system for syrup, CO₂, or plain water leaks and repair if evident.
2. Install the Unit back and side panels.
3. Install Unit front access panel (see Figure 5) and secure with THREAD CUTTING SCREWS (item 16) and WHITE SPACERS (ITEM 14).
4. Close front access door, then use a flat blade screwdriver to turn lock clockwise to lock the door.

PLACING UNIT IN OPERATING LOCATION

IMPORTANT NOTICE

The FCB Dispensers manufactured prior to the models documented in this manual were elevated in the front (dispensing valve side) 1/4 to 3/8-inch higher than the back when placing the Unit in operating position to eliminate gas pockets being trapped inside the freeze cylinders. Due to a redesign of the foam pack in the models documented in this manual, elevating the front of the Dispenser is no longer required. The Dispenser must be leveled at time of placing in operating location.

1. Disconnect electrical power from Unit at the electrical power source disconnect switch.

IMPORTANT: When installing Unit in its operating position, *do not* allow obstructions to block sides, top, and front of the Unit which will block off cooling air intake to the inside of the Unit. Air flow through the Unit *must* be present to provide adequate cooling for the refrigeration system. Refer to **SELECTING LOCATION** for sides, top, and front clearances to be observed when placing Unit in operating position.

2. Referring to the preceding NOTE, *very carefully*, place the Unit in operating location.
3. *Make sure* the Unit is sitting level. The Unit may be leveled by using a carpenter's level and adjusting the four leveling legs installed on the Unit during installation.
4. Restore Unit to operation by connecting electrical power at the electrical power source disconnect switch.

ADJUSTING BEATER MOTOR CURRENT (EITHER SIDE)

Adjusting beater motor current (either side) procedure is very important and *must* be performed as instructed. Be sure you fully understand the instructions before performing the current adjustments or doing any preventative maintenance current readings check.

Any current adjustments or preventative maintenance current readings check on the beater motor current (either side) must be performed with both freeze cylinders fully defrosted. A partially defrosted freeze cylinder will cause false current readings to be displayed on the message display. Adjust beater motor current (either side) as follows:

1. Using a flat blade screwdriver, turn lock counterclockwise to unlock the front access door (see Figure 5), then open the door.
2. Remove four screws securing the upper electrical control box cover (control box located on back of the front access door). Remove cover for access to the master circuit board (see Figure 4).
3. Place No. 4 "BEATER MOTOR CURRENT READOUT" switch on DIP SWITCH assembly on master circuit board (see Figure 4) in "ON" position. Both freeze cylinders beater motors will operate and beaters motors current ratings will be displayed on message display.
4. Display should be adjusted to read $A150 B150 \pm 2$ by adjusting MOTOR CURRENT ADJUSTMENTS located on No. 1 and No. 2 relay circuit boards (see Figure 4). These figures will fluctuate slightly with variations in line voltage and motor loads.
5. After completion of adjusting beater motor current to $A150 B150 \pm 2$, make sure No. 5 "MOTOR CURRENT SELF-CALIBRATION" switch on DIP SWITCH assembly on master circuit board (see Figure 4) is in "OFF" position. No. 5 switch in "OFF" position allows the "MOTOR CURRENT" SELF-CALIBRATION" electronics to automatically self-calibrate the beaters motors currents at completion of each defrost cycle.



CAUTION: IF NO. 4 “BEATER MOTOR CURRENT READOUT” SWITCH ON DIP SWITCH assembly is placed in “ON” position and beater motor current readings were A155 B145 and switch was then placed back in “OFF” position without readjusting to A150 B150 ± 2, the beater motor current has just been reset at A155 B145. Operating the FCB Dispenser at these current readings may have serious effects on its operation.

ANY TIME THE NO. 4 “BEATER MOTOR CURRENT READOUT” SWITCH ON DIP SWITCH ASSEMBLY IS PLACED IN “ON” POSITION, THE BEATER MOTOR CURRENT READINGS MUST BE RE-ADJUSTED TO A150 B150 ± 2 AS INSTRUCTED. THEN, SWITCH MUST BE PLACED BACK IN THE “OFF” POSITION.

6. Close front access door, then use a flat blade screwdriver to turn lock clockwise to lock the door.
7. Install FRONT ACCESS PANEL (item 15) and SPACERS (item 14) and secure with THREAD CUTTING SCREWS (item 16). MAKE SURE SPACERS ARE INSTALLED BETWEEN THE FRONT ACCESS PANEL AND THE UNIT FRAME (SEE FIGURE 5).

ADJUSTMENT AND PROGRAMMING MAIN MENU SELECTIONS, COMPONENTS “DIAGNOSE” (DIAGNOSTIC MODE), AND “TOTALS”(DISPLAYED CYCLES AND HOURS TOTALS) INTO UNIT

NOTE: The Unit control panel switches are as shown in Figure 3.

The following instructions outline adjustments and programming main menu selections, components “DIAGNOSE” (DIAGNOSTIC MODE), and “TOTALS” (DISPLAYED CYCLES AND HOURS TOTALS) into the Unit.

NOTE: Plain water, CO₂ and syrup supplies to Unit must be satisfied to turn off “H₂O OUT”, “CO₂ OUT”, “SYRUP 1”, and “SYRUP 2” fault messages on message display before adjustments and programming procedures can be performed on the Unit.

PROGRAMMING MAIN MENU SELECTION ONTO MESSAGE DISPLAY

The MAIN MENU SELECTIONS (see Table 4) may be brought up on the message display as follows:

1. Press “AUTO 1”, “WASH 1”, and “BLEND 1” control switches (see Figure 3) at the same time and hold them pressed for a minimum of 1/2 second to bring up MAIN MENU SELECTIONS on message display. The word “CLOCK” will appear on display. You are now in the MAIN MENU SELECTIONS as shown in 4To advance through the MENU SELECTIONS, repeatedly press the “CANCEL DEFROST” (ADVANCE) switch. Once you reach the desired selection, press the “DEFROST” (SELECT) switch to lock in on the selection.

NOTE: To exit MENU SELECTION and return to MAIN MENU SELECTIONS, press “ERROR RESET” (RESET) switch. Press “ERROR RESET” (RESET) switch again to exit from MAIN MENU SELECTIONS.

SETTING CLOCK (TIME OF DAY)

NOTE: The CLOCK (TIME OF DAY) must be programmed into Unit before “DEFROST” (AUTOMATIC), “SLEEP” (SLEEP TIME), and “WAKE UP” (WAKE UP TIME) can be programmed into the Unit.

Program “CLOCK” (TIME OF DAY) into Unit as follows:

1. Refer to PROGRAMMING MAIN MENU SELECTIONS ONTO MESSAGE DISPLAY and bring up “CLOCK” on display. Press “DEFROST” (SELECT) switch to lock in on selection.
2. Press “CANCEL DEFROST” (ADVANCE) switch to bring up flashing hour number on display.
3. Press “CANCEL DEFROST” (ADVANCE) switch to advance hours on display to desired hour. Press “DEFROST” (SELECT) switch to lock in hour on display.

MENU SELECTIONS	MESSAGE DISPLAY (EXAMPLE READOUTS)
“CLOCK” (TIME OF DAY) see note below	<u>C</u> _ <u>1</u> <u>2</u> : <u>0</u> <u>0</u> <u>A</u>
“DEFROST” (AUTOMATIC)	<u>3</u> <u>D</u> <u>1</u> <u>0</u> : <u>0</u> <u>0</u> <u>A</u>
“SLEEP” (SLEEP TIME)	<u>S</u> <u>1</u> <u>2</u> : <u>3</u> <u>0</u> <u>A</u> _
“WAKE UP” (WAKE UP TIME)	<u>W</u> _ <u>0</u> <u>7</u> : <u>1</u> <u>5</u> <u>A</u>
“VIS SET” (PRODUCT VISCOSITY SETTING)	<u>1</u> <u>2</u> _ _ _ _ <u>1</u> <u>0</u>
“VIS READ” (ACTUAL VISCOSITY READOUT)	<u>1</u> <u>6</u> _ _ _ _ <u>1</u> <u>1</u>
“SENSORS” (TEMPERATURES READOUT)	<u>7</u> <u>5</u> * <u>7</u> <u>5</u> * <u>7</u> <u>5</u>
“VOLTAGE” (DISPLAYED VOLTAGE READOUT)	<u>V</u> <u>R</u> <u>M</u> <u>S</u> * <u>2</u> <u>3</u> <u>0</u>
“DIAGNOSE” (DIAGNOSTIC MODE)	See Programming Components Diagnose into Unit.
“TOTALS”	See Table 7 and programming “TOTALS” (DISPLAYED CYCLES AND HOURS TOTALS) into unit.
“MOTORS” (BEATER MOTOR MANUFACTURER)	See Table 6
“REF TYPE” (REFRIGERANT TYPE)	See PROGRAMMING PROPER REFRIGERANT TYPE INTO UNIT ELECTRONICS

NOTE: The “CLOCK” (TIME OF DAY) must be programmed into the Unit before “DEFROST” (AUTOMATIC) “SLEEP” (SLEEP TIME), and “WAKE UP” (WAKE UP TIME) will function.

TABLE 4. MAIN MENU SELECTIONS

- After hour (time of day) has been locked in on message display, minute numbers will be flashing on display. Press “CANCEL DEFROST” (ADVANCE) switch to advance minute numbers to desired minutes (time of day). Press “DEFROST” (SELECT) switch to lock in minute (time of day) on display.
- Press “ERROR RESET” switch two times to exit from MENU SELECTION.

PROGRAMMING “DEFROST” (AUTOMATIC) SETTINGS INTO UNIT

The automatic defrost system may be programmed into the Unit to occur up to nine different times during a day with a minimum of two hours between defrost time settings. Program automatic defrost time settings into the Unit as follows:

- Refer to PROGRAMMING MAIN MENU SELECTIONS ON TO MESSAGE DISPLAY and bring up “DEFROST” on message display. Press “DEFROST” (SELECT) switch to lock in on selection.
- Press “CANCEL DEFROST”(ADVANCE) switch to bring up flashing hour number on display.
- Press “CANCEL DEFROST”(ADVANCE) switch to advance hours on display to desired hour. Press “DEFROST”(SELECT) switch to lock in hour on display.
- After hour (time of day) has been locked in on message display, minute numbers will be flashing on display. Press “CANCEL DEFROST” (ADVANCE) switch to advance minute numbers to desired minutes (time of day). Press “DEFROST” (SELECT) switch to lock in minute (time of day) on display.
- Press “DEFROST” (SELECT) switch, then repeat steps 2, 3, and 4 to program in next defrost time setting. MAKE SURE A MINIMUM OF TWO HOURS IS MAINTAINED BETWEEN DEFROST TIME SETTINGS. IF A TIME SETTING OF LESS THAN TWO HOURS IS PROGRAMMED INTO THE UNIT, A MOMENTARY “ERROR” MESSAGE WILL APPEAR ON THE MESSAGE DISPLAY WHEN OPERATOR TRIES TO EXIT “DEFROST”. THE PROGRAM WILL NOT ALLOW THE OPERATOR TO EXIT THE DEFROST SETTING UNTIL THE LESS THAN TWO HOUR DEFROST TIME IS CORRECTED. THE OPERATOR *MUST* PRESS “CANCEL DEFROST” (ADVANCE) SWITCH, THEN REPEAT STEPS 2, 3, and 4 TO PROGRAM CORRECTED DEFROST TIME INTO UNIT.

6. Repeat step 5 as many times as necessary to program desired number of defrost time settings into the Unit.
7. Press “ERROR RESET” switch two times to exit from MENU SELECTIONS.

PROGRAMMING “SLEEP” (SLEEP TIME) INTO UNIT

“SLEEP” (SLEEP TIME) may be programmed into Unit to occur any time of the day after Unit automatic defrost cycle has occurred. Unit will shut down (go into sleep time) and will not wake up (return to normal operation) until programmed “WAKE UP” (WAKE UP TIME) has occurred. Program “SLEEP” (SLEEP TIME) into Unit as follows:

1. Refer to PROGRAMMING MENU SELECTIONS ONTO MESSAGE DISPLAY and bring up “SLEEP” on message display. Press “DEFROST” (SELECT) switch to lock in on selection.
2. Press “CANCEL DEFROST” (ADVANCE) switch to bring up flashing hour number on display.
3. Press “CANCEL DEFROST” (ADVANCE) switch to advance hours on display to desired hour. Press “DEFROST” (SELECT) switch to lock in hour on display.
4. After hour (time of day) has been locked in on message display, minute numbers will be flashing on display. Press “CANCEL DEFROST” (ADVANCE) switch to advance minute numbers to desired minutes (time of day). Press “DEFROST” (SELECT) switch to lock in minutes (time of day) on display.
5. Press “ERROR RESET” switch two times to exit from MENU SELECTIONS.

SWITCH NO.	FUNCTION	
1	POINT OF SALE MESSAGE SELECT	See Table 7.
2	POINT OF SALE MESSAGE SELECT	See Table 7.
3		See NOTE .
4	BEATER MOTOR CURRENT READOUT	ON- Display current readout. OFF- No displayed current readout.
5	MOTOR CURRENT SELF-CALIBRATION	ON- Disabled. OFF- Operating.
6	NOT USED	
7	NOT USED	
8	NOT USED	
9	DEFROST	ON- Hot gas. OFF- Electric.
10	SERVICE USE	

**NOTE: Switch No. 3 must be in “OFF” position for standard Units with pulse expansion valves.
Switch No. 3 must be in “ON” position for older Units with mechanical expansion valves.**

TABLE 5. DIP SWITCH FUNCTIONS

DISPLAYED	MODEL	HZ	MOTOR DESCRIPTION
KLBER_60	Klauber	60	Over/under gear box with a GE wide-range voltage motor.
FASV3+60	Fasco/VW	60	Over/under gear box with a Fasco wide-range voltage motor.
FASCWR 60	Fasco/VW	60	Standard gear box using a Fasco wide-range voltage motor.
VW/GE 60	Fasco/VW	60	Standard gear box with a GE 219/242 volt motor.
EMRSN 60	Emerson	60	Over/under gear box with an Emerson wide-range motor.
BODINE 60	Bodine	60	Special wide-range motor.
KLBER_50	Klauber	50	Over/under gear box with a GE wide-range voltage motor.
FASV3+50	Fasco/VW	50	Over/under gear box with a Fasco wide-range voltage motor.
FASCWR 50	Fasco/VW	50	Standard gear box using a Fasco wide-range voltage motor.
VW/GE 50	Fasco/VW	50	Standard gear box with a GE 219/242 volt motor.
EMRSN 50	Emerson	50	Over/under gear box with an Emerson wide-range motor.

TABLE 6. MOTOR SELECT

DIP SWITCH NO. 1	DIP SWITCH NO. 2	*MESSAGE
OFF	OFF	"ENJOY A FROZEN BEVERAGE"
OFF	ON	NOT USED - BLANK
ON	OFF	"HAVE A NICE DAY"
ON	ON	"DISFRUTE UNA BEBIDA CONGELADA CARBONATADA"

*For special messages, contact your local sales representative.

TABLE 7. POINT OF SALE DISPLAY MESSAGES

PROGRAMMING "WAKE UP" (WAKE UP TIME) INTO UNIT

"WAKE UP" (WAKE UP TIME) may be programmed into Unit to occur any time of the day to wake Unit up (return to normal operation) after "sleep time" has occurred. Program "WAKE UP" into Unit as follows:

1. Refer to PROGRAMMING MAIN MENU SELECTIONS ONTO MESSAGE DISPLAY and bring up "WAKE UP" on message display. Press "DEFROST" (SELECT) switch to lock in on selection.
2. Press "CANCEL DEFROST" (ADVANCE) switch to bring up flashing hour number on display.
3. Press "CANCEL DEFROST" (ADVANCE) switch to advance hours on display to desired hour. Press "DEFROST" (SELECT) switch to lock in hour on display.
4. After hour (time of day) has been locked in on message display, minute numbers will be flashing on display. Press "CANCEL DEFROST" (ADVANCE) switch to advance minute numbers to desired minutes (time of day). Press "DEFROST" (SELECT) switch to lock in minutes (time of day) on display.
5. Press "ERROR RESET" switch two times to exit from MENU SELECTIONS.

PROGRAMMING POINT OF SALE MESSAGE DISPLAY

(see Figure 4 and 7)

NOTE: Point of sale display messages may be turned off by placing No. 1 DIP SWITCH on master circuit board in "OFF" position and No. 2 DIP SWITCH in "ON" position (see Figure 4 and 5 and 7).

Three point of sales display messages are available and the desired one may be programmed in to appear on the message display by placing No. 1 and No. 2 switches (see Figure 4, 5, and 7) on the DIP SWITCH ASSEMBLY in the appropriate positions.

ADJUSTING “VIS SET” (PRODUCT VISCOSITY) OF DISPENSED PRODUCT

Adjusting “VIS SET” (PRODUCT VISCOSITY) determines what product consistency of the dispensed product will be present in each freeze cylinder. Adjust “VIS SET” (PRODUCT VISCOSITY) of the dispensed product as follows.

1. Refer to PROGRAMMING MAIN MENU SELECTIONS INTO MESSAGE DISPLAY and bring up “VIS SET” on message display.
2. Press “DEFROST” (SELECT) switch to bring up numbers on message display.

NOTE: The direction of arrows (<< >>) on message display indicates which set of numbers belongs to which freeze cylinder. A No. 4 setting indicates the thinnest product consistency of dispensed product and a No. 12 setting indicates the thickest consistency of product dispensed.

3. Press “CANCEL DEFROST” (ADVANCE) switch. The left-side freeze cylinder viscosity number will be flashing on message display.
4. Press “CANCEL DEFROST” (ADVANCE) switch to advance viscosity number to desired setting. Press “DEFROST” (SELECT) switch to lock in viscosity setting. The right-side freeze cylinder viscosity number will now be flashing.
5. Press “CANCEL DEFROST” (ADVANCE) switch to advance viscosity number to desired setting. Press “DEFROST” (SELECT) switch to lock in viscosity setting.
6. Press “ERROR RESET” switch two times to exit from MENU SELECTIONS.

“VIS READ” (ACTUAL VISCOSITY READOUT) OF PRODUCT IN FREEZE CYLINDERS

“VIS READ” (ACTUAL VISCOSITY READOUT) may be brought up on message display to actually read the viscosity (product consistency) of the product in the freeze cylinders while the Unit is in operation. Bring “VIS READ” up on message display as follows:

1. Refer to PROGRAMMING MENU SELECTIONS ON MESSAGE DISPLAY and bring up “VIS READ” of product in freeze cylinders.
2. Press “DEFROST” (SELECT) switch to bring up actual viscosity readout of product in each freeze cylinder.
3. Press “ERROR RESET” switch two times to exit from MENU SELECTIONS.

DISPLAYED EVAPORATOR REFRIGERATION COILS INLETS AND COMMON OUTLET SENSORS TEMPERATURES

Evaporator refrigeration coils inlet and common outlet temperature readings in degrees Fahrenheit may be displayed on message displays as follows:

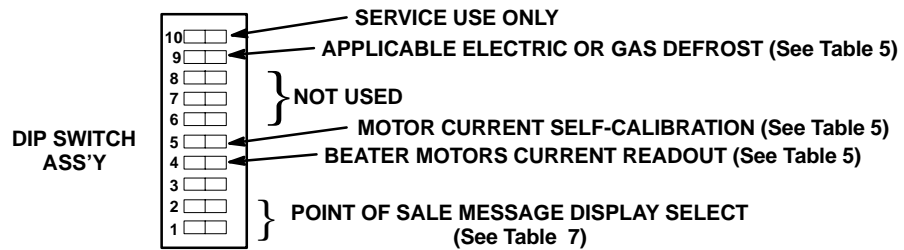
1. Refer to PROGRAMMING MENU SELECTIONS ON MESSAGE DISPLAY and bring up “SENSORS” (TEMPERATURES READOUT) on message display.
2. Press “DEFROST” (SELECT) switch to bring up evaporator refrigeration coils inlet and common outlet temperature readings in degrees Fahrenheit.

Left Reading—Refrigeration Coils Inlet No. 1

Middle Reading—Refrigeration Coils Inlet No. 2

Right Reading—Common Outlet

3. Press “ERROR RESET” switch two times to exit from MENU SELECTIONS.



Note: Switch No. 3 must be in “OFF” position for standard Units with pulse expansion valves. Switch No. 3 must be in “ON” position for Units with mechanical expansion valves.

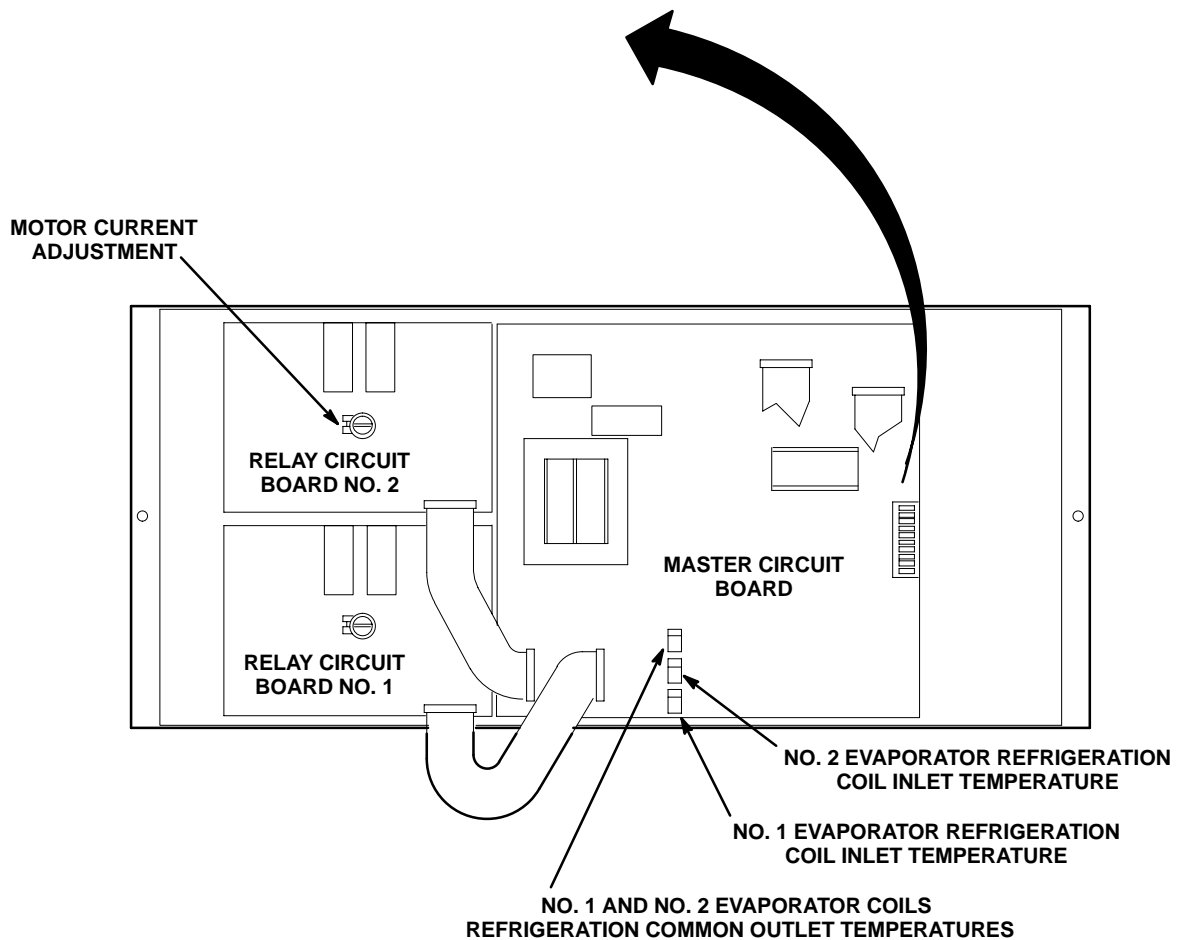


FIGURE 4. MASTER AND RELAY CIRCUIT BOARD

“VOLTAGE” (DISPLAYED VOLTAGE READOUT)

Displayed voltage readout may be displayed on message display as follows:

1. Refer to PROGRAMMING MENU SELECTIONS ON MESSAGE DISPLAY and bring up “VOLTAGE” (DISPLAYED VOLTAGE READOUT) on message display.
2. Press “DEFROST” (SELECT) switch to bring up voltage readout on message display.
3. Press “ERROR RESET” switch two times to exit from MENU SELECTIONS.

PROGRAMMING COMPONENTS “DIAGNOSE” (DIAGNOSTIC MODE) INTO UNIT

“DIAGNOSE” (DIAGNOSTIC MODE) may be programmed into the Unit to check certain components for operation. Program “DIAGNOSE” into Unit and check components for proper operation as follows:

1. Refer to PROGRAMMING MAIN MENU SELECTIONS ONTO MESSAGE DISPLAY and bring up the word “CLOCK” on display.
2. Press “CANCEL DEFROST” (ADVANCE) switch to bring up “DIAGNOSE” menu on message display. Press “DEFROST” (SELECT) switch to lock in place. The word “MOTOR 1” will appear on message display.
3. Press “DEFROST” (SELECT) switch. No. 1 beater motor will start and operate while switch is pressed.
4. Press “CANCEL DEFROST” (ADVANCE) switch to advance and bring up the word “MOTOR 2” on message display.
5. Press “DEFROST” (SELECT) switch. No. 2 beater motor will start and operate while switch is pressed.
6. Press “CANCEL DEFROST” (ADVANCE) switch to advance and bring up “DEFROST 1” on message display.
7. Press “DEFROST” (SELECT) switch. No. 1 defrost relay will click when switch is pressed.
8. Press “CANCEL DEFROST” (ADVANCE) switch to advance and bring up “DEFROST 2” on message display.
9. Press “DEFROST” (SELECT) switch. No. 2 defrost relay will click when switch is pressed.
10. Press “CANCEL DEFROST” (ADVANCE) switch to advance and bring up “SYRUP 1” on message display.
11. Press “DEFROST” (SELECT) switch. No. 1 syrup solenoid relay will click when switch is pressed.
12. Press “CANCEL DEFROST” (ADVANCE) switch to advance and bring up “SYRUP 2” on message display.
13. Press “DEFROST” (SELECT) switch. No. 2 syrup solenoid relay will click when switch is pressed.
14. Press “CANCEL DEFROST” (ADVANCE) switch to advance and bring up “WATER 1” message display.
15. Press “DEFROST” (SELECT) switch. No. 1 carbonated water solenoid relay will click when switch is pressed.
16. Press “CANCEL DEFROST” (ADVANCE) switch to advance and bring up “WATER 2” on message display.
17. Press “DEFROST” (SELECT) switch. No. 2 carbonated water solenoid relay will click when switch is pressed.
18. Press “CANCEL DEFROST” (ADVANCE) switch to advance and bring up “RF SOL 1” on message display.
19. Press “DEFROST” (SELECT) switch. Refrigeration relay clicks when switch is pressed.
20. Press “CANCEL DEFROST” (ADVANCE) switch to advance and bring up “RF SOL 2” on message display.
21. Press “DEFROST” (SELECT) switch. No. 2 refrigeration solenoid clicks when switch is pressed.

22. Press "CANCEL DEFROST" (ADVANCE) switch to advance and bring up "COMPRESS" on message display.
23. Press "DEFROST" (SELECT) switch. Compressor and condenser fan motor will start and operate while switch is pressed.
24. Press "CANCEL DEFROST" (ADVANCE) switch to advance and bring up "H₂O PUMP" on message display.
25. Press "DEFROST" (SELECT) switch. Carbonator water pump relay on master circuit board clicks when switch is pressed.
26. Press "ERROR RESET" switch two times to exit from MENU SELECTIONS.

DISPLAYING "TOTALS" (DISPLAYED CYCLES AND HOURS TOTALS) ONTO MESSAGE DISPLAY

(see Table 4 and Table 8).

1. "TOTALS" (DISPLAYED CYCLES AND HOURS TOTALS) may be displayed on message display as follows:
 - A. Refer to PROGRAMMING MAIN MENU SELECTION ONTO MESSAGE DISPLAY and bring up the word "CLOCK" on message display.
 - B. Repeatedly press and release "CANCEL DEFROST" (ADVANCE) switch to advance through main menu until "TOTALS" menu appears on message display. Press "DEFROST" (SELECT) switch to lock "TOTALS" menu in place. The word "COMP HRS" will appear on message display.
 - C. Press and hold "DEFROST" (SELECT) switch. Compressor run hours will appear on message display.
 - D. Press "CANCEL DEFROST" (ADVANCE) switch to advance and bring up "COMP CYC" on message display.
 - E. Press and hold "DEFROST" (SELECT) switch. Compressor cycles x 100 will appear on message display.
 - F. Use CANCEL DEFROST (ADVANCE) switch to advance through remaining "TOTALS" (DISPLAYED CYCLES AND HOURS TOTAL MENU) see Table 8. Press "DEFROST" (SELECT) switch to obtain message display readings of the individual menu selections.
 - G. Press "ERROR RESET" switch two times to exit from MENU SELECTIONS.

PROGRAMMING FREEZE CYLINDERS BEATER "MOTORS" INTO UNIT ELECTRONICS

IMPORTANT: Note in Table 6 "MOTOR SELECT" the number of freeze cylinders beater motors manufacturers that are listed. Your Unit was manufactured and equipped with motors from one of these manufacturers. A replacement freeze cylinder beater motor is also manufactured by one of these manufacturers listed. DURING NEW UNIT INSTALLATION, OR WHEN REPLACING ONE OF THE BEATER MOTORS, NOTE THE MANUFACTURER'S NAME ON THE MOTOR(S). THE BEATER MOTOR(S) MANUFACTURER'S NAME(S) MUST BE PROGRAMMED INTO THE UNIT, WHICH WILL MATCH THE MOTOR(S) TO THE UNIT ELECTRONICS. Proceed as follows to program the beater motors into the Unit electronics.

1. Refer to "PROGRAMMING MAIN MENU SELECTIONS ONTO MESSAGE DISPLAY" and bring up "MOTORS" on the message display. Press "DEFROST" (SELECT) switch to lock in on the selection. "MOT_1 MFG 1" (represents No. 1 freeze cylinder beater motor) will appear on the message display.
2. Press "DEFROST" (SELECT) switch again. A motor manufacturer's name (see Table 6) will appear on the message display and will be non-blinking.

TOTALS MENU COMMANDS	DESCRIPTION
COMP HRS	COMPRESSOR RUN HOURS
COMP CYC	COMPRESSOR CYCLES X100
DFSTYC1	DEFROST SIDE 1 CYCLE
DFSTYC2	DEFROST SIDE 2 CYCLES
BLDRCYC1	BLENDER SIDE 1 CYCLE X100
BLDRCYC2	BLENDER SIDE 2 CYCLES X100
SOLDOUT 1	SOLDOUT SYRUP SIDE 1
SOLDOUT 2	SOLDOUT SYRUP SIDE 2
BMTRHRS1	BEATER MOTOR 1 HOUR
BMTRHRS2	BEATER MOTOR 2 HOURS
PWR ON	POWER ON HOURS
AUTO ON 1	AUTO SIDE 1 HOUR
AUTO ON 2	AUTO SIDE 2 HOURS
ERR HRS 1	ERROR SIDE 1 HOUR
ERR HRS 2	ERROR SIDE 2 HOURS
SLEEP HRS	SLEEP MODE HOURS
SYR MIN 1 (see note)	SYRUP MINUTES (SIDE 1)
SYR MIN 2 (see note)	SYRUP MINUTES (SIDE 2)

NOTE: Displaying “SYR MIN 1” or “SYR MIN 2” on message display will indicate time in minutes syrup actually has been dispensed. Refer to table and formula below to calculate how much syrup has been dispensed.

BRIX	“A”	GALLONS = “A” X SYRUP MINUTES
11.0	0.1358	
11.5	0.1420	NOTE: “A” numbers are based upon a 4.4 to 1 water-to-syrup “ratio”.
12.0	0.1481	
12.5	0.1543	Using the table to the left, choose the “A” number that corresponds to your BRIX. Multiply the “A” number by the syrup minutes reading to obtain the amount (gallons) of syrup used.
13.0	0.1605	
13.5	0.1667	
14.0	0.1728	
14.5	0.1790	
15.0	0.1852	
15.5	0.1914	
16.0	0.1975	

TABLE 8 “TOTALS” (DISPLAYED CYCLES AND HOURS TOTALS) MENU

MESSAGE DISPLAYED	ERROR	ITEMS AFFECTED BY ERROR			
		BEATER MOTOR 1	BEATER MOTOR 2	REFRIG 1	REFRIG 2
Motor 1	Low Current, < 109, Sensed on Motor One	OFF		OFF	
Motor 2	Low Current, < 109, Sensed on Motor Two		OFF		OFF
Motor 1	High Current > 255, Sensed on Motor One	OFF		OFF	
Motor 2	High Current > 255, Sensed on Motor Two		OFF		OFF
REFRIG	**Maximum Run Time on Compressor	OFF	OFF	OFF	OFF
SYRUP 1	Syrup Out Side One			OFF	
SYRUP 2	Syrup Out Side Two				OFF
CO ₂ OUT	CO ₂ Out			OFF	OFF
H ₂ O	H ₂ O Out			*OFF	*OFF
SENSOR 1	Temp Sensor Inlet One	OFF	OFF	OFF	OFF
SENSOR 2	Temp Sensor Inlet Two	OFF	OFF	OFF	OFF
SENSOR 3	Temp Sensor Outlet	OFF	OFF	OFF	OFF

* The refrigeration system and carbonator shall continue to operate for 1.5 minutes after a water pressure loss has been detected. If water pressure loss continues beyond 1.5 minutes, the refrigeration system and carbonator will stop.

** 25 minutes on Standard System, 30 minutes on Remote System.

TABLE 9 DISPLAYED ERROR CONDITIONS

3. Press "CANCEL DEFROST" (ADVANCE) switch. The motor manufacturer's name will start blinking.
4. Press the "CANCEL DEFROST" (ADVANCE) switch again, which will change to another blinking manufacturer's name.
5. Keep pressing and releasing the "CANCEL DEFROST" (ADVANCE) switch until the applicable blinking manufacturer's name appears on the message display. This indicates manufacturer's name of the No. 1 freeze cylinder beater motor (new Unit installation) or the new installed replacement motor.
6. After the applicable beater motor manufacturer's name has been selected, press "DEFROST" (SELECT) switch which will match the beater motor to the Unit electronics. The motor manufacturer's name will no longer be blinking.
7. Press "DEFROST" (SELECT) switch to return to "MOT_MFG1".
8. Press "CANCEL DEFROST" (ADVANCE) switch to go from "MOT_MFG1" to "MOT_MFG2" (represents No. 2 freeze cylinder beater motor) which will appear on the message display.
9. Repeat steps 2 through 6 to program in the correct beater motor manufacturer's name for No. 2 freeze cylinder.

PROGRAMMING PROPER REFRIGERANT TYPE INTO UNIT ELECTRONICS

The Dispenser electronics *must* be programmed for the proper refrigeration pulse rate according to the type of refrigerant gas that has been installed in the refrigeration system. Note Dispenser serial plate for the type of refrigerant gas that has been installed, then proceed as follows to program the Dispenser.

1. Refer to PROGRAMMING MAIN MENU SELECTIONS ONTO MESSAGE DISPLAY and bring up “REF TYPE” (REFRIGERANT TYPE) on the message display. Press “DEFROST (SELECT) switch to lock in on the selection. The sub menu of refrigerant types that may be brought up on the MESSAGE DISPLAY from “REF TYPE” (REFRIGERANT TYPE) are as follows:
 - A. “R404A2HP”
(V3+ Dispenser with 2 H.P. Copeland Compressor and R-404A refrigerant).
 - B. “R404A3HP”
(V3+ Dispenser with 3 H.P. Copeland Compressor and R-404A refrigerant).
 - C. “R502”
(V3 and V3+ Dispensers using Bristol or Tecumseh Compressor and R502 refrigerant).
 - D. “R402B5OH”
(V3 and V3+ Dispensers using a Bristol Compressor and R-402B refrigerant).
2. Refer to Dispenser serial plate to identify the type of refrigerant gas installed in the refrigeration system.
3. Press “CANCEL DEFROST” (ADVANCE) switch as many times as necessary to bring up applicable refrigerant type from sub menu of “REF TYPE” (REFRIGERANT TYPE) on MESSAGE DISPLAY.
4. Press “DEFROST” (SELECT) switch to lock in on the selection. This programs the proper refrigerant pulse rate into the Dispenser electronics.
5. Press “ERROR RESET” switch two times to exit from “MAIN MENU SELECTIONS”.

DISPLAYED ERROR CONDITIONS

Displayed error conditions, associated errors, and items affected by the errors are found in Table 9 DISPLAYED ERROR CONDITIONS.

OPERATOR'S INSTRUCTIONS

This section describes operating controls and indicators, dispensed product conditions, operating characteristics, Unit operation, replenishing syrup supply, product flavor change, checking CO₂ supply, operators daily cleaning of Unit, and sanitizing requirements.



CAUTION: Do not place or store anything on top of the Unit.



WARNING: Disconnect electrical power to the Unit to prevent personal injury before attempting any internal maintenance. Only qualified personnel should service internal components or electrical wiring.

NOTE: The No. 1 freeze cylinder (see Figure 5) is the left-hand cylinder facing the front of the Unit. No. 2 freeze cylinder is to the right of No. 1 freeze cylinder.

CONTROL PANEL ASS'Y SWITCHES AND DISPLAYED MESSAGES

CONTROL PANEL ASS'Y SWITCHES

(see Figure 3)

NOTE: The Unit control panel assembly is equipped with a hidden "SECURITY SWITCH" located between "FILL 1" and "ERROR RESET" control switches (see Figure 3). Pressing in and holding "SECURITY SWITCH" for 3 seconds deactivates the control switches preventing tampering with Unit normal operation. To reactivate the control switches, press in and hold the "SECURITY SWITCH" for 3 seconds.

"FILL 1" and "FILL 2" Control Switches.

"FILL 1" and "FILL 2" control switches, located on control panel assembly, are touch-type switches that require only pressing to activate. "FILL 1" and "FILL 2" control switches are used when filling syrup systems sold-out floats during syrup replenishing, syrup flavor changeover, or sanitizing syrup systems. After syrup systems sold-out floats have been filled, "FILL 1" and "FILL 2" switches may be used to prevent more product entering product blender tanks during BRIX test.

"AUTO BLEND 1" and "AUTO BLEND 2" Control Switches.

"AUTO BLEND 1" and "AUTO BLEND 2" control switches, located on control panel assembly, are touch-type switches and require only pressing to activate. These switches are used to fill product blender tanks after sold-out floats have been filled using "FILL 1" and "FILL 2" switches. "AUTO BLEND 1" and "AUTO BLEND 2" and "AUTO 1" and "AUTO 2" switches must be pressed to operate freeze cylinders beaters and refrigeration system during normal operation.

"WASH 1" and "WASH 2" Control Switches.

"WASH 1" and "WASH 2" control switches, located on control panel assembly, are touch-type switches and require only pressing to activate. These switches are used to operate freeze cylinders beaters with no refrigeration during sanitizing.

"AUTO 1" and "AUTO 2" Control Switches.

"AUTO 1" and "AUTO 2" control switches, located on control panel assembly, are touch-type switches and require only pressing to activate. These switches are used to operate freeze cylinders beaters and refrigeration system after cylinders have been filled with product. Freeze cylinders beaters and refrigeration system may be stopped by pressing "OFF 1" or "OFF 2" switches.

"OFF 1" and "OFF 2" Control Switches.

"OFF 1" and "OFF 2" control switches, located on control panel, are touch-type switches and require only pressing to activate. These switches are used to stop freeze cylinders beaters and refrigeration system.

"ERROR RESET" Control Switch.

"ERROR RESET" control switch, located on control panel assembly, is a touch-type switch and requires only pressing to activate. "ERROR RESET" switch is used to restore normal operation after error within Unit (indicated by "ERROR 1" or "ERROR 2" on message display) has been corrected.

"SECURITY SWITCH."

The Unit is equipped with a hidden "SECURITY SWITCH" located between "FILL 1" switch and "ERROR RESET" switch on the control panel assembly. Pressing in and holding the "SECURITY SWITCH" for 3 seconds deactivates the control switches preventing tampering with Unit normal operation. To reactivate control switches, press in and hold "SECURITY SWITCH" for 3 seconds.

CONTROL PANEL ASSEMBLY DISPLAY MESSAGES

(see Figure 3)

"FILL 1" and "FILL 2" Fault Messages.

"FILL 1" and "FILL 2" fault messages will appear on message display only when "FILL 1" and "FILL 2" control switches have been pressed and syrup systems sold-out floats have been filled with product. "FILL 1" and "FILL 2" fault messages will continue to be displayed until "AUTO BLEND 1" or "AUTO BLEND 2" control switches have been pressed to fill product blender tanks with product.

"ERROR 1" and "ERROR 2" Fault Messages.

"ERROR 1" and "ERROR 2" fault messages will appear on message display only if error within Unit has developed interrupting normal operation. Error will have to be located and corrected, then press "ERROR RESET" to restore normal operation. "ERROR 1" or "ERROR 2" fault message will disappear from display.

"OFF 1" and "OFF 2" Fault Messages.

"OFF 1" and "OFF 2" fault messages will appear on message display when either freeze cylinder beater is not operating.

"H₂O OUT" Fault Message.

The Unit plain water inlet system contains a water pressure switch. Should the plain water source to the Unit be disrupted or a water pressure drop occur, it will cause "H₂O OUT" fault message to appear on message display. Unit will continue to operate for 1-1/2 minutes after "H₂O OUT" fault message has appeared and if water pressure has not been restored or water pressure improved after 1-1/2 minutes, Unit operation will shut down. After plain water source has been restored or water pressure has improved, Unit will resume operation and "H₂O OUT" fault message will disappear from message display.

“CO₂ OUT” Fault Message.

“CO₂ OUT” fault message will appear on message display when CO₂ supply to Unit has been turned off or if CO₂ pressure drops below 50-psi. A minimum CO₂ pressure of 75-psi must be available to Unit to extinguish “CO₂ OUT” fault message.

“SYRUP 1” or “SYRUP 2” Fault Messages.

“SYRUP 1” or “SYRUP 2” fault messages will appear on message display if product tanks are not connected to Unit or product tanks are empty. Syrup systems syrup float switches must be filled with syrup to extinguish “SYRUP 1” or “SYRUP 2” fault messages.

“DEFROST 1” or “DEFROST 2” Display Messages.

“DEFROST 1” or “DEFROST 2” display messages will appear on message display if either freeze cylinder is in defrost mode. “DEFROST 1” or “DEFROST 2” messages will remain on during defrost cycle and will disappear when cycle has ended.

“POINT OF SALE” Display Message.

Three “POINT OF SALE” display messages are available to choose from and may be programmed into Unit as instructed to appear on message display.

Common Outlet Temperatures.

Evaporator refrigeration coils inlet 1 and inlet 2 and common outlet temperatures may be displayed on control panel message display as instructed.

FREEZE CYLINDERS MANUAL OR AUTOMATIC DEFROST SYSTEMS

The Unit is equipped with both manual and automatic hot-gas defrost systems. The automatic defrost system may be programmed into the Unit to occur up to nine different times a day with a minimum of two hours between defrost time settings or the system may be completely turned off.

MANUAL DEFROST SYSTEM

The manual hot-gas defrost system may be activated at any time by pressing “DEFROST” switch on front of the Unit. Refrigeration compressor will operate for a short time, then both freeze cylinders will go into defrost and defrost for approximately 60-seconds. At end of manual defrost cycle, Unit will return to normal operation. Manual defrost may be cancelled at any time by pressing “CANCEL DEFROST” switch.

AUTOMATIC DEFROST SYSTEM

The automatic hot-gas defrost system may be programmed into the Unit to occur up to nine different times a day with a minimum of two hours between defrost settings. At start of each automatic defrost cycle, refrigeration compressor will operate for 30 seconds to pump freon out of freeze cylinders evaporator coils. After freon has been pumped out of freeze cylinders evaporator coils, No. 1 freeze cylinder only will go into defrost for approximately 7 minutes and then will return to normal operation. This ends automatic defrost cycle of No. 1 freeze cylinder. No. 2 freeze cylinder will defrost 30 minutes after the start of No. 1 freeze cylinder. The next automatic defrost cycle will occur according to time programmed into the Unit.

“SLEEP” (SLEEP TIME) OPERATION

“SLEEP” (SLEEP TIME) may be programmed into Unit to allow Unit to go into sleep time (Unit shut down, freeze cylinders beaters and refrigeration systems not operating). At start of sleep time, refrigeration compressor will operate for 30 seconds to pump freon out of freeze cylinders evaporator coils. Then No. 1 freeze cylinder will go into defrost for 60-seconds. After No.1 freeze cylinder has defrosted, No. 2 freeze cylinder will go into defrost for 60-seconds. At end of No. 2 freeze cylinder defrost, Unit will shut down and go into sleep time.

“WAKE UP” (WAKE UP TIME)

“WAKE UP” (WAKE UP TIME) may be programmed into the Unit to allow Unit to resume normal operation at a desired time. When programmed wake up time is reached, an alarm will sound for a short duration, then Unit will resume normal operation.

NOTE: Automatic defrost, sleep time, and wake up time may be used in any combination together or separately.

FACEPLATE RELIEF VALVES

The faceplate relief valves (see Figure 5), located in each freeze cylinder faceplate, are spring-loaded valves that protect freeze cylinders from accidental over-pressure. The relief valve is also used to manually bleed CO₂ gas from freeze cylinder to atmosphere during filling with product and if gas pockets form in cylinder during operation.

PRODUCT SAMPLE VALVES

The two product sample valves are located behind the lower front access panel (see Figure 2 and Figure 6) and are manually operated lever-type ball valves used to check product BRIX. Turn valve lever to line up with attached line to open valve and at 90° angle with line to close valve.

PRODUCT SHUTOFF VALVES

The two product shutoff valves, located in lines leading from the product blender tanks to the freeze cylinders (see Figure 2 and 6), are manually operated lever-type ball valves and are used to prevent product from entering and filling freeze cylinders while adjusting BRIX of dispensed product. Shutoff valves may also be used to shut off product to individual freeze cylinder for service and maintenance without disrupting operation of other freeze cylinders.

PRIMARY CO₂ REGULATOR

The primary CO₂ regulator (see Figure 2) controls CO₂ pressure to the soft drink tanks and the Unit secondary CO₂ regulators located behind the lower front access panel. If necessary to adjust the primary CO₂ regulator, adjust as instructed in the SERVICE AND MAINTENANCE section.

SECONDARY CO₂ REGULATORS

The secondary CO₂ regulators, located behind the lower front access panel (see Figure 2 and 6), control CO₂ pressure to the carbonator and the product blender tanks. If necessary to adjust the secondary CO₂ regulators, adjust as instructed in the SERVICE AND MAINTENANCE section.

CARBONATED WATER FLOW REGULATORS

The adjustable carbonated water flow regulators, (see Figure 2 and 12) located behind the front access panel, control carbonated water flow rate to the product blender tanks. The water flow regulators are factory adjusted at 1.3 ± 0.05 oz/sec and should not normally require adjustment. If adjustment is necessary, adjust as instructed in the SERVICE AND MAINTENANCE section.

SYRUP FLOW REGULATORS

The syrup flow regulators located behind the front access door (see Figure 2 and Figure 12), are adjustable regulators that control syrup flow rate to the product blender tanks for desired BRIX of dispensed product. Adjust syrup flow regulators for desired BRIX as instructed in the SERVICE AND MAINTENANCE section.

DISPENSING VALVES

Self-closing dispensing valves (see Figure 5)), located on faceplates on front of Unit, are operated one at a time or simultaneously to deliver product to the customer.

DISPENSED PRODUCT CONDITIONS

“OVERRUN”, AS APPLIED TO FROZEN CARBONATED BEVERAGES

Overrun Defined.

Overrun is product expansion that takes place in the frozen carbonated drink. *It is caused primarily by CO₂ gas breakout and secondary by freezing.*

Overrun is a Variable.

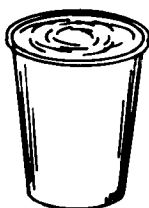
The percentage or degree of overrun depends on a number of factors. The specific syrup, BRIX, low dispensing volume, carbonation level in liquid product, and freezing, all affect overrun. After these factors have been considered, desired viscosity (product consistency) adjustment may be made on the Unit. *The viscosity adjustment adjusts product texture from very wet to light.*

Specific Product Ingredients Affect Overrun.

Each syrup has its own specific formulation of makeup. Baume, an important ingredient factor, may fall within an extremely wide range. Fruit flavors contain citric acids that colas do not. Colas also differ in ingredients from one brand to another. *Each product formulation has its own peculiarities regarding the way the product will absorb carbonation and the way it will release carbonation.*

BRIX Affects Overrun.

Sugar in carbonated drinks is like anti-freeze in water. The higher the BRIX in a product, the greater resistance the product has to freezing. Conversely, in products with lower BRIX, freezing takes place at higher temperatures than for high-BRIX products. *Thus, BRIX affects overrun because the amount of sugar in a drink has a direct bearing on the product's freezing characteristics.*



DRAWING 1



DRAWING 2



DRAWING 3

Low Dispensing Volume Affects Overrun.

When Unit sits idle for a period of time and no drinks are dispensed, CO₂ gas in the system takes a “set”. When first few drinks are drawn off after an idle period, CO₂ gas has less tendency to break out as drink is dispensed. *The result is these casual drinks have less overrun than drinks dispensed during peak-use periods.*

Carbonation Level in Liquid Product Affects Overrun.

The higher the specific carbonation level in a given product, the greater the potential for carbonation breakout in frozen carbonated form of that drink. *For example, drinks with 3.0 volume of carbonation will have more gas breakout in frozen carbonated form, and more overrun, than will drinks that contain 2.0 volumes of CO₂ gas.*

Freezing Affects Overrun.

Freezing causes approximately a 10 percent expansion in dispensed frozen carbonated drinks. The degree of freezing is limited because the finished drink is intended to be sipped through a straw. This is not possible if the product is too “solid”.

OPERATING CHARACTERISTICS

The product viscosity (product consistency) can be varied by adjustment and secondary CO₂ regulator setting from a high overrun light drink to a wet, heavy drink. The length of freezing cycle and amount of CO₂ present in product combine to create the drink dispensed. The dispensed product will have a normal variance due to the following conditions:

1. If some time has elapsed since last drink was drawn from particular freeze cylinder and compressor has not cycled on, the drink dispensed will have a tendency to be wetter, have slightly less overrun than normal for the setting, and will not mound up as high. See Drawing 1.

NOTE: A cylinder freeze-up may be expected under casual draw conditions if an attempt is made to eliminate drink described above by adjusting viscosity.

2. If product is drawn from freeze cylinder quite regularly, its viscosity (product consistency) will be maintained at whatever viscosity adjustment was made within the normal variance of the compressor off and on cycle. See Drawing 2.
3. If product is drawn continuously from freeze cylinder and rate is approaching capacity of the dispensing unit, overrun of drink will increase just prior to point capacity is exceeded, and drink dispensed will turn slightly wetter. See Drawing 3.

OPERATING UNIT

NOTE: The No. 1 freeze cylinder (see Figure 5) is the left-hand cylinder facing the front of the Unit. No. 2 freeze cylinder is to the right of No. 1 freeze cylinder.

1. Make sure “H₂O OUT” fault message is not displayed on message display. This indicates no water supply to Unit.
2. Make sure “CO₂ OUT” fault message is not displayed on message display. This indicates no CO₂ gas supply to Unit.
3. Make sure “SYRUP 1” or “SYRUP 2” fault messages are not displayed on message display. This indicates no syrup supply to Unit.
4. Make sure “AUTO BLEND 1”, “AUTO BLEND 2”, “AUTO 1”, and “AUTO 2” control switches are pressed for normal operation.
5. Place cup under dispensing valve, then dispense until cup is full of product.
6. Make sure viscosity (product consistency) is as desired. If not, adjust as instructed.

REPLENISHING SYRUP SUPPLY

IMPORTANT: The following CO₂ and liquid disconnects disconnecting and connecting procedure for soft drink tank replacement or filling soft drink tank in place must be performed in order as follows:

1. **To disconnect soft drink tank from Unit syrup system.**

- A. **Disconnect liquid disconnect from soft drink tank. NOTE - Disconnecting liquid quick disconnect from soft drink tank first prevents syrup from backflowing through Unit syrup flow regulator, which may alter regulator adjustment.**
- B. **Second, disconnect CO₂ quick disconnect from soft drink tank.**

2. **To connect soft drink tank into Unit syrup system.**

- A. **First, connect CO₂ quick disconnect to soft drink tank to pressurize tank.**
- B. **Second, connect liquid quick disconnect to soft drink tank.**

Syrup supply should be checked daily and if necessary, replenished as instructed.

PRODUCT FLAVOR CHANGE

Perform syrup flavor change as instructed.

CHECKING CO₂ SUPPLY



WARNING: CO₂ displaces oxygen. Strict attention *must* be observed in the prevention of CO₂ (carbon dioxide) gas leaks in the entire CO₂ and soft drink system. If a CO₂ gas leak is suspected, particularly in a small area, *immediately* ventilate the contaminated area before attempting to repair the leak. Personnel exposed to high concentration of CO₂ gas will experience tremors which are followed rapidly by loss of consciousness and suffocation.

Make sure CO₂ cylinder shutoff valve is fully opened and regulator assembly 1800-psi gage indicator is not in shaded ("change CO₂ cylinder") portion of dial. If so, CO₂ cylinder is almost empty and must be replaced as instructed.

CLEANING AND SANITIZING

DAILY CLEANING

Daily or more often if necessary, wash all external surfaces of Unit, rinse with clean water, then wipe dry with clean soft cloth. **DO NOT USE ABRASIVE CLEANERS.** Wash the drip tray and cup rest with warm water and mild detergent, then rinse with clean water.

SANITIZING

The Unit syrup systems should be sanitized as instructed every 120-days and before and after storage periods following parent company requirements and sanitizer manufacturers recommendations. Sanitize syrup systems as instructed.

CLEANING CONDENSER COIL

The FCB Dispenser refrigeration system is equipped with a condenser coil (see Figure 6) that is cooled by two condenser coil fans. Circulating air, required to cool the refrigeration system's condenser coil, is drawn in through a grilled panel on the right-hand side and is exhausted out through the opposite side and back grilled panels. Restricting air circulation through the Unit will decrease its cooling efficiency. **THE CONDENSER COIL MUST BE CLEANED PERIODICALLY AS INSTRUCTED IN the SERVICE AND MAINTENANCE section.**

LUBRICATION

Carbonator pump motor must be lubricated as instructed on the motor.

ADJUSTMENTS

CARBONATED WATER FLOW RATE

The carbonated water flow regulators (see Figure 2 and 12), which control carbonated water flow rate into product blender tanks, are factory adjusted and normally do not require further adjustment. If adjustment should become necessary, adjust as instructed in the SERVICE AND MAINTENANCE section.

WATER-TO-SYRUP “RATIO” (BRIX) OF DISPENSED PRODUCT

Water-To-Syrup “Ratio” (BRIX) is the water-to-syrup “ratio” of the dispensed product. Adjust BRIX as instructed in the SERVICE AND MAINTENANCE section.

CO₂ REGULATORS

Primary CO₂ Regulator.

The primary CO₂ regulator (see Figure 2 and 6) regulates CO₂ pressure to the soft drink tanks (also to the bag-in-box syrup system if used) and also to the secondary CO₂ regulators located inside the Unit. If necessary to adjust the primary CO₂ regulator, adjust as instructed in the SERVICE AND MAINTENANCE section.

Secondary CO₂ Regulators.

The secondary CO₂ regulators (see Figure 2 and 6) regulate CO₂ pressure to the carbonator and product blender tanks. If necessary to adjust secondary CO₂ regulators, adjust as instructed in the SERVICE AND MAINTENANCE section.

ADJUSTING BEATERS MOTORS CURRENTS

Beaters motors currents must be adjusted as instructed in the INSTALLATION section.

PROGRAMMING MAIN MENU SELECTIONS ONTO MESSAGE DISPLAY

The MAIN MENU SELECTIONS (see Table 4) may be brought up on message display as instructed in the INSTALLATION section.

SETTING “CLOCK” (TIME OF DAY)

NOTE: “CLOCK” (TIME OF DAY) must be programmed into Unit before “DEFROST” (AUTOMATIC), “SLEEP” (SLEEP TIME), and “WAKE UP” (WAKE UP TIME) can be programmed into the Unit.

Program “CLOCK” (TIME OF DAY) into Unit as instructed in the INSTALLATION section.

PROGRAMMING “DEFROST” (AUTOMATIC) SETTINGS INTO UNIT

The automatic defrost system may be programmed into the Unit to occur up to nine different times during a day with a minimum of two hours between defrost time settings. Program automatic defrost time settings into the Unit as instructed in the INSTALLATION section.

PROGRAMMING “SLEEP” (SLEEP TIME) INTO UNIT

“SLEEP” (SLEEP TIME) may be programmed into Unit to occur any time of the day after the Unit automatic defrost cycle has occurred. Unit will shut down (go into sleep time) and will not wake up (return to normal operation) until programmed “WAKE UP” (WAKE UP TIME) has occurred. Program “SLEEP” (SLEEP TIME) into Unit as instructed in the INSTALLATION section.

PROGRAMMING “WAKE UP” (WAKE UP) TIME INTO UNIT

“WAKE UP” (WAKE UP TIME) may be programmed into Unit to occur any time of the day to wake Unit up (return to normal operation) after “sleep time” has occurred. Program “WAKE UP” into Unit as instructed in the INSTALLATION section.

PROGRAMMING POINT OF SALE MESSAGE DISPLAY

Three point of sale display messages are available to choose from and may be programmed into Unit by placing No.1 and No. 2 switches on DIP SWITCH assembly on master circuit board in appropriate positions. Program point of sale display messages into Unit as instructed in the INSTALLATION section.

ADJUSTING “VIS SET” (PRODUCT VISCOSITY) OF DISPENSED PRODUCT

Adjusting “VIS SET” (PRODUCT VISCOSITY) determines what product consistency of the dispensed product will be present in each freeze cylinder. Adjust “VIS SET” (PRODUCT VISCOSITY) of the dispensed product as instructed in the INSTALLATION section.

“VIS READ” (ACTUAL VISCOSITY READOUT) OF PRODUCT IN FREEZE CYLINDERS

“VIS READ” (actual viscosity readout) may be brought up on the message display to actually read the viscosity (product consistency) of product in the freeze cylinders while the Unit is in operation as instructed in the INSTALLATION section.

DISPLAYED EVAPORATOR REFRIGERATION COILS INLETS AND COMMON OUTLET SENSORS TEMPERATURES

Evaporator refrigeration coils inlet and common outlet temperature readings in degrees Fahrenheit may be displayed on message display as instructed in the INSTALLATION section.

“VOLTAGE” (DISPLAYED VOLTAGE READOUT)

Displayed voltage readout may be displayed on message display as instructed in the INSTALLATION section.

PROGRAMMING COMPONENTS “DIAGNOSE” (DIAGNOSTIC MODE) INTO UNIT

“DIAGNOSE” (DIAGNOSTIC MODE) may be programmed into the Unit to check certain components for operation. Program “DIAGNOSE” into the Unit and check components for proper operation as instructed in the INSTALLATION section.

DISPLAYING “TOTALS” (DISPLAYED CYCLES AND HOURS TOTALS) ONTO MESSAGE DISPLAY

“TOTALS” (DISPLAYED CYCLES AND HOURS TOTALS) may be displayed on the message display as instructed in the INSTALLATION section.

PROGRAMMING FREEZE CYLINDERS BEATER “MOTORS” INTO UNIT ELECTRONICS

Note in Table 6 “MOTOR SELECT” the number of freeze cylinders beater motors manufacturer’s that are listed. Your Unit was manufactured and equipped with motors from one of these manufacturer’s. A replacement freeze cylinder beater motor is also manufactured by one of these manufacturer’s listed. NOTE THE MANUFACTURER’S NAME ON THE MOTOR(S). THE BEATER MOTOR(S) MANUFACTURER’S NAME(S) MUST BE PROGRAMMED INTO THE UNIT WHICH WILL MATCH THE MOTOR(S) TO THE UNIT ELECTRONICS as instructed in the INSTALLATION section.

DISPLAYED ERROR CONDITIONS

Displayed error conditions, associated errors, and items affected by the errors are found in Table 9 DISPLAYED ERROR CONDITIONS.

PROGRAMMING PROPER REFRIGERANT TYPE INTO UNIT ELECTRONICS

The dispenser electronics *must* be programmed for the proper refrigeration pulse rate according to the type of refrigerant gas that has been installed in the refrigeration system. Note dispenser serial plate for the type of refrigerant gas that has been installed, then proceed to the INSTALLATION section for programming instructions.

WATER STRAINER SCREEN AND DOUBLE LIQUID CHECK VALVE MAINTENANCE

(see Figures 2 and 12)



WARNING: The carbonator water pump water strainer screen and the double liquid check valve must be inspected and serviced after any disruptions (plumbing work, earthquake, etc.) to the water supply system, and at least once a year under normal circumstances.

Water pump with no screen or a defective screen in the strainer would allow foreign particles to foul the double liquid check valve. CO₂ gas could then back flow into the water system and create a health hazard in the system.

Service water strainer screen and double liquid check valve as instructed in the SERVICE AND MAINTENANCE section.

CLEANING CO₂ GAS CHECK VALVES

(see Figure 2 and 13)

The CO₂ gas check valves must be inspected and serviced at least once a year under normal conditions, and after any servicing or disruption of the CO₂ system as instructed in the SERVICE AND MAINTENANCE section.

SERVICE AND MAINTENANCE

This section describes service and maintenance to be performed on the Unit.



WARNING: Disconnect electrical power to Unit to prevent personal injury before attempting any internal maintenance. Only qualified personnel should service internal components or electrical wiring.

PREPARING UNIT FOR SHIPPING, STORING, OR RELOCATING



CAUTION: Before shipping, storing, or relocating Unit, syrup systems must be sanitized and all sanitizing solution must be purged from syrup systems. All water must also be purged from plain and carbonated water systems. A freezing ambient environment will cause residual sanitizing solution or water remaining inside Unit to freeze resulting in damage to internal components.

PERIODIC INSPECTION

1. Make sure CO₂ cylinder valve is fully opened and primary CO₂ cylinder regulator assembly 1800-psi gage indicator is not in shaded (“change CO₂ cylinder”) portion of dial. If so, CO₂ cylinder is almost empty and must be replaced.
2. Make sure soft drink tanks contain sufficient amount of syrup for Unit operation.
3. The FCB Dispenser refrigeration system is equipped with a condenser coil (see Figure 6) that is cooled by two condenser coil fans. Circulating air, required to cool the refrigeration system’s condenser coil, is drawn in through a grilled panel on the right-hand side and is exhausted out through the opposite side and back grilled panels. Restricting air circulation through the Unit will decrease its cooling efficiency. **THE CONDENSER COIL MUST BE CLEANED PERIODICALLY AS INSTRUCTED IN THE SERVICE AND MAINTENANCE SECTION.**

REMOVAL OF TOP PANEL, BACK PANEL, SIDE PANELS, AND FRONT ACCESS PANEL

(see Figure 5)

TOP PANEL

Remove two screws securing the top panel, then lift panel up off Unit.

BACK PANEL

Remove one screw securing back panel, then lift panel straight up to remove.

SIDE PANELS

Remove screw securing side panel, then lift panel straight up to remove.

FRONT ACCESS PANEL

Remove two screws securing front access panel, then remove panel and plastic spacers from the Unit. **MAKE SURE WHEN REINSTALLING THE FRONT ACCESS PANEL, TO REINSTALL THE PLASTIC SPACERS IN BETWEEN THE PANEL AND THE UNIT FRAME.**

OPENING AND CLOSING FRONT ACCESS DOOR

OPENING FRONT ACCESS DOOR

Using a flat blade screwdriver, turn lock counterclockwise to unlock the front access door (see Figure 5), then open the door.

CLOSING FRONT ACCESS DOOR

Close front access door, then use a flat blade screwdriver to turn lock clockwise to lock the door.

LUBRICATION

CARBONATOR WATER PUMP MOTOR

(see Figure 12)

Carbonator water pump motor bearings must be lubricated periodically. Refer to oiling instructions on motor. **DO NOT OVER OIL.**

SERVICING DISPENSING VALVES CAGED O-RINGS AND FREEZE CYLINDERS DRIVE SHAFT/ SEAL ASSEMBLIES

Servicing Dispensing Valves Caged O-Rings.

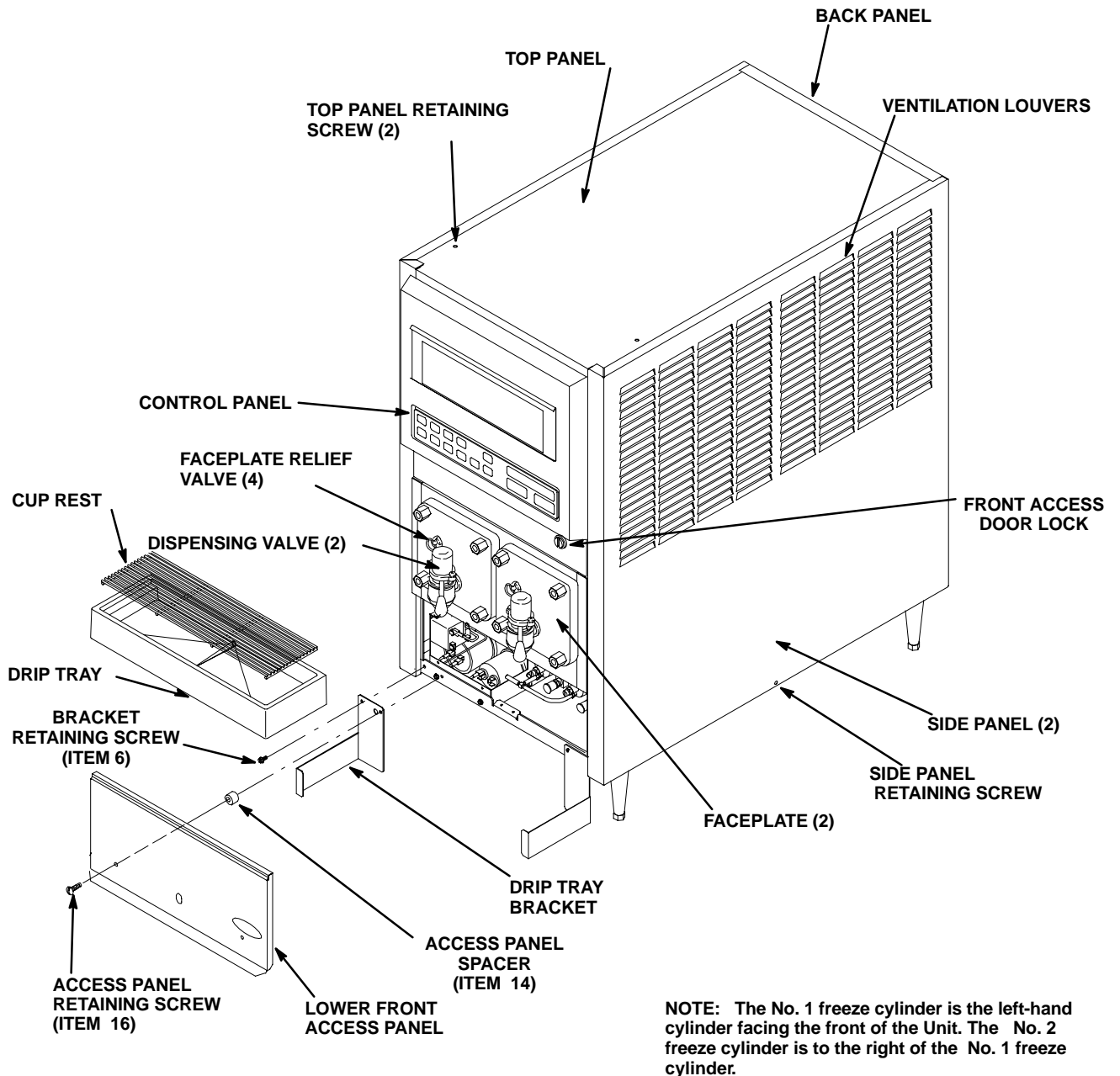
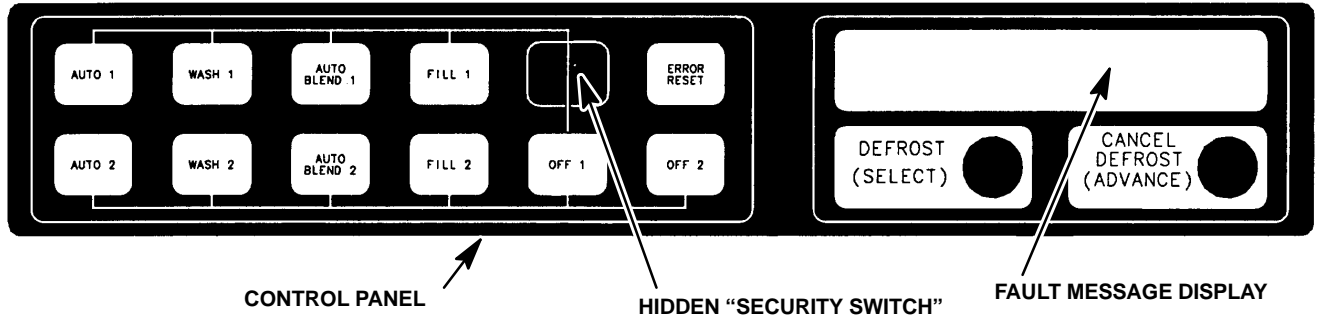
(see Figure 7)

NOTE: Dispensing valves caged O-Rings should be serviced (lubricated) every six months and O-Rings should be replaced once a year.

1. Defrost freeze cylinders, shut Unit down, disconnect electrical power from Unit, close product shutoff valves in lines leading from the product blender tanks to the freeze cylinders, then drain product from the freeze cylinders.

NOTE: Item numbers in parentheses in this paragraph are in reference to Figure 8.

2. Remove HEX NUTS (item 7) and FLATWASHERS (item 6) securing FACEPLATE (item 8) to freeze cylinder, then remove faceplate from cylinder.



NOTE: The No. 1 freeze cylinder is the left-hand cylinder facing the front of the Unit. The No. 2 freeze cylinder is to the right of the No. 1 freeze cylinder.

FIGURE 5. OPERATING CONTROLS

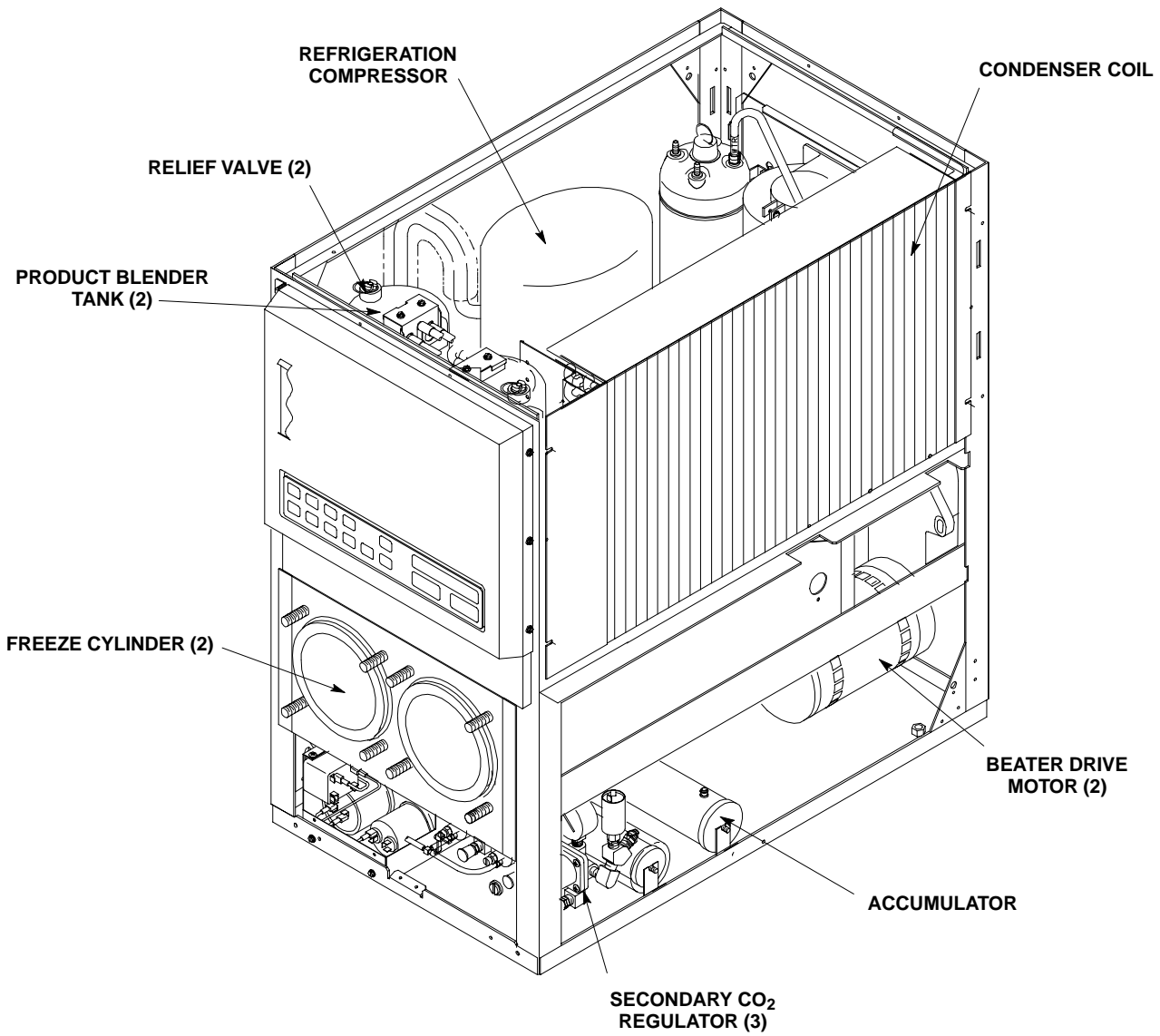


FIGURE 6. UNIT INTERNAL COMPONENTS

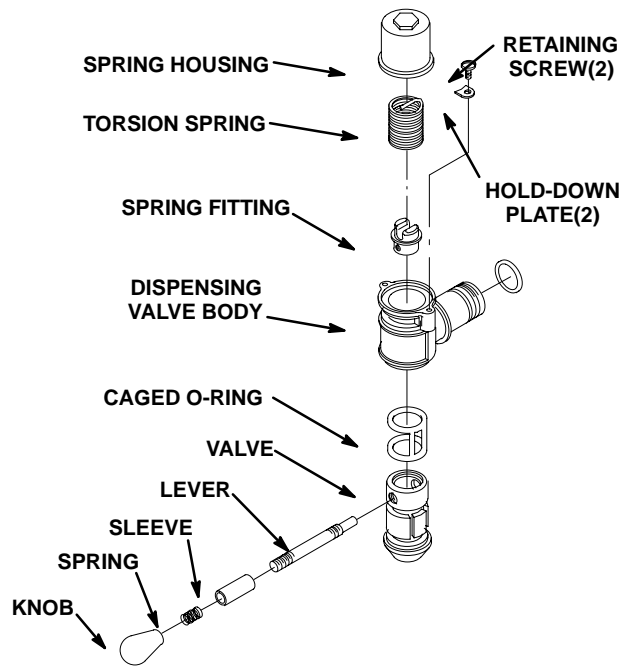


FIGURE 7. SELF-CLOSING DISPENSING VALVE

3. Carefully remove large O-RING (item 5) from FACEPLATE (item 8).
4. Unscrew RELIEF VALVE (item 9) from FACEPLATE (item 8).
5. Disassemble dispensing valve (see Figure 7) as follows:
 - A. Remove two screws and hold-down plates securing spring housing to dispensing valve body, then remove housing.
 - B. Remove torsion spring from dispensing valve.
 - C. Remove knob, spring, sleeve, and lever from dispensing valve.
 - D. Remove spring fitting from dispensing valve.
 - E. Press valve, with caged O-ring, down and out of dispensing valve body.
 - F. Carefully remove caged O-ring from valve.
6. Wash all parts in warm water. Remove all traces of syrup and lubricant, especially from faceplate, O-rings, and dispensing valve. If parts are excessively coated, wipe clean with paper towel to remove syrup and lubricant, especially from caged O-ring and dispensing valve. Use BRUSH (item 3, Table 3) to clean faceplates relief valve passages.
7. Submerge all parts in 4 percent solution of approved sanitizing agent for time recommended by sanitizer manufacturer.
8. Remove parts from sanitizing solution and place on clean paper towels.

NOTE: Use Dow-Corning DC-111 (P/N 321471000) light grade silicone lubricant.

9. Assemble dispensing valve as follows:
 - A. Lubricate caged O-ring. Carefully install caged O-ring on valve from straight end (opposite tapered end). Lubricate grooves in which O-ring rides to fill in all void areas around O-ring.

- B. Carefully install valve with caged O-ring in dispensing valve body.
 - C. Install spring fitting, knob and lever parts, torsion spring, and spring housing assembly by reversing removal procedure. Do not tighten hold-down plates securing spring housing at this time.
10. Thoroughly clean RELIEF VALVE (item 9), then screw relief valve into FACEPLATE (item 8).
 11. Proceed to Servicing Beater Motor Drive Shaft/Seal Assemblies.

Servicing Freeze Cylinders Drive Shaft/Seal Assemblies.

(see Figure 9)

IMPORTANT: The freeze cylinders drive shaft/seal assemblies must be removed and inspected every four months. Their shafts and bearings must be inspected and replaced if necessary. All O-Ring seals must be replaced at this time.

NOTE: Use Dow-Corning DC-111 (P/N 321471000) light grade silicone lubricant.

1. Pull BEATER (item 13) and SCRAPER BLADES (item 2) from freeze cylinder.
2. Using WRENCH (item 11, LOOSE-SHIPED PARTS), reach into the freeze cylinder and turn the drive shaft/seal assembly to the right (clockwise) to unlock its four locking tabs from the notches in the freeze cylinder retainer. Pull the assembly out of the freeze cylinder retainer using the beater as a puller.
3. Remove the coupling end fitting from the shaft by loosening the set screw in the coupling, then slide coupling off the shaft.
4. Remove the lock-ring bearing retainer from the end of the plastic housing.
5. Using a block of wood, tap the drive shaft and both bearings out of the plastic housing.
6. Loosen bearings and remove shaft. Remove two old inner drive shaft O-Ring seals and two outer O-Ring seals from the plastic housing. Discard the old O-Ring seals.

NOTE: If old lubricant cannot be removed from the plastic housing by washing, use a nylon “pot and pan” scrubber (3M Company “Scotchbrite”, or equivalent) to remove the residue. Do not scrape plastic housing. Replace any housing that has rough edges in O-Ring sealing areas.

7. Remove old lubricant from the plastic housing with paper towel. DO NOT SCRAPE THE PLASTIC HOUSING. Wash the housing and the back of the freeze cylinder with warm water.
8. Lubricate two new drive shaft O-Ring seals with a generous amount of special light-grade silicone grease, then install O-Rings inside the plastic housing.
9. Inspect the drive shaft and both bearings. Replace the drive shaft if worn and bearing(s) if found to be rough.
10. Reassemble the drive shaft/seal assembly. Using TOOL, DRIVE/COUPLER ADJUSTMENT GAUGE (item 12), insert “DRIVE” end of adjustment gauge between drive-pin and housing (see Figure 9) to set the shaft end at 1.542-inches out of the plastic housing. *Make sure* Allen-Head set screw in each bearing is securely tightened and properly seated on the shaft flat surface.
11. Install coupling end fitting on end of the drive shaft. Insert “COUPLER” end of the adjustment gauge between coupling end fitting and the plastic housing. The adjustment gauge in place places the coupling end fitting 0.750-inch away from the plastic housing. *Make sure* Allen-Head set screw in the coupling end fitting is securely tightened and properly seated on the shaft flat surface.
12. Lubricate the two outer O-Ring seals on the outside of the plastic housing with a generous amount of special light-grade silicone grease.
13. Reinstall the drive shaft/seal assembly in the freeze cylinder.
14. Push in and turn the drive shaft/seal assembly to the left (counterclockwise) to lock its four locking tabs into four notches in the freeze cylinder retainer.

15. Position SCRAPER BLADES (item 2) on BEATER (item 13) as shown in Figure 8. Slide beater into freeze cylinder so slotted hooks engage DRIVE PIN (item 17) on DRIVE SHAFT (item 19). Turn beater to the right (clockwise) to lock in place.
16. Lubricate O-RING (item 5) with water to facilitate faceplate installation. Position O-RING (item 5) on FACEPLATE (item 8). Install faceplate on Unit so dispensing valve spout faces down. (MAKE SURE FEMALE END OF THE BEATER IS PLACED OVER THE FACEPLATE STAINLESS-STEEL STUD AND BUSHING BEFORE PUSHING THE FACEPLATE INTO POSITION ON ITS FOUR THREADED MOUNTING STUDS). Tighten hex nuts until faceplate touches freeze cylinder all around flange. CAUTION – DO NOT OVERTIGHTEN HEX NUTS.
17. Turn dispensing valve spring housing to the left (counterclockwise) to put tension on torsion spring, then tighten hold-down plates to secure spring housing.
18. Test dispensing valve to make sure it closes by itself when lever is released. If not, readjust torsion spring tension.
19. Sanitize syrup system as instructed in CLEANING AND SANITIZING, then return Unit to operation.

CLEANING CONDENSER COIL

(see Figure 6)

NOTE: The FCB Dispenser refrigeration system is equipped with a condenser coil (see Figure 6) that is cooled by two condenser coil fans. Circulating air, required to cool the refrigeration system's condenser coil, is drawn in through gridded panel on the right-hand side and is exhausted out through the opposite side and back gridded panels. Restricting air circulation through the Unit will decrease its cooling efficiency. THE CONDENSER COIL MUST BE CLEANED PERIODICALLY AS INSTRUCTED.

Periodically clean condenser coil as follows:

1. Press "OFF 1" and "OFF 2" switches on Unit control panel to stop refrigeration system and beaters motors.
2. Remove Unit right-side panel as instructed.
3. Clean condenser coil with vacuum cleaner, low pressure compressed air, or a soft brush.
4. Install Unit right-side panel as instructed.
5. Press "AUTO 1" and "AUTO 2" switches on Unit control panel to start refrigeration system and beaters motors.

ADJUSTMENTS

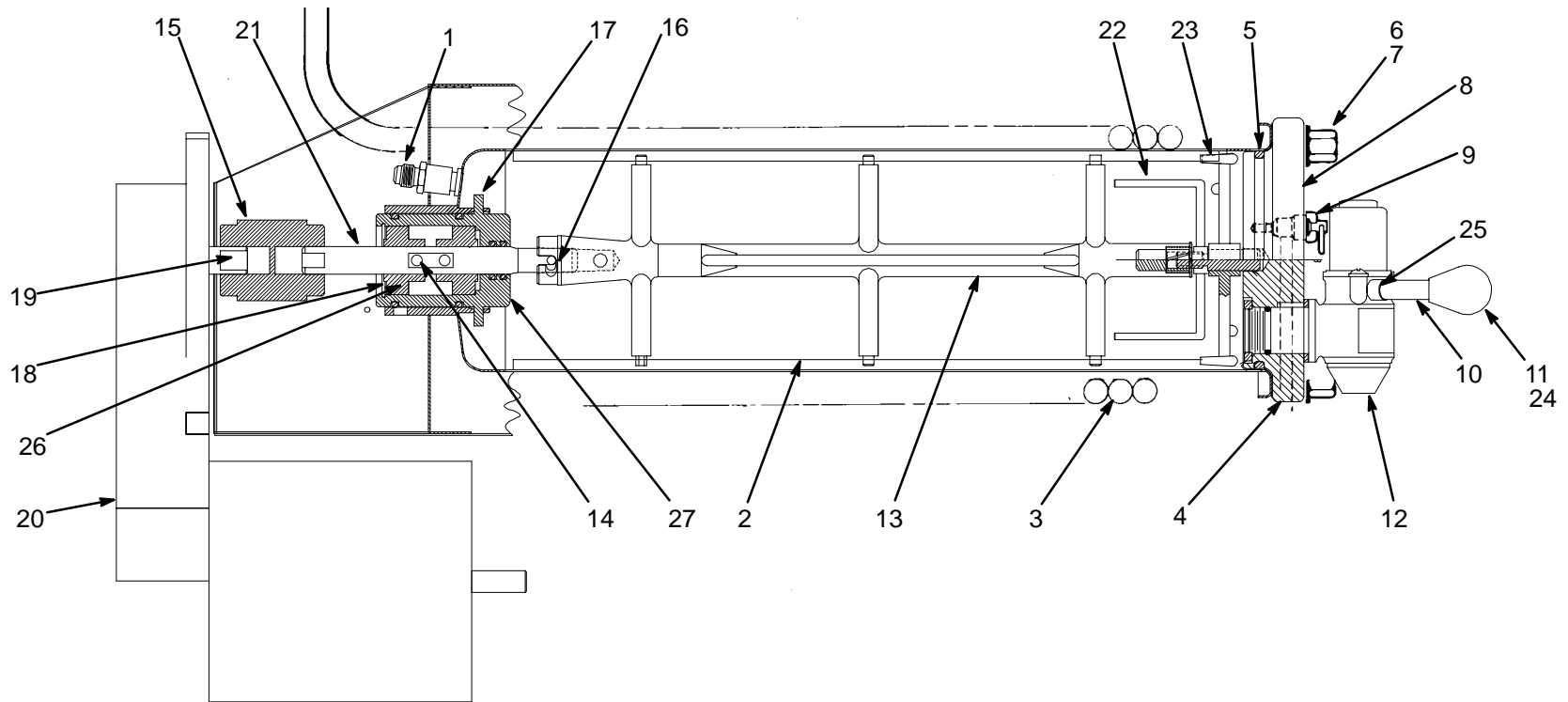
ADJUSTING PLAIN WATER PRESSURE REGULATOR

(see Figure 2 and 12)

Carbonator(s) plain water inlet adjustable water pressure regulator is factory adjusted to 45-psi and should not be readjusted.

ADJUSTING CARBONATED WATER FLOW RATE

The carbonated water flow regulators (see Figure 2 and 12), which control carbonated water flow rate into the product blender tanks, are factory adjusted for a flow rate of 1.3 ± 0.05 ounces per second and normally do not require adjustment. However, if adjustment is necessary, proceed as follows:



- | | | | | | |
|---|-----------------------|----|---------------------------------|----|----------------------|
| 1 | Product Inlet Fitting | 10 | Valve Lever | 20 | Beater Drive Motor |
| 2 | Scraper Blade (2) | 11 | Knob | 21 | Drive Shaft Assembly |
| 3 | Evaporator Coil | 12 | Dispensing Valve | 22 | Viscosity Sensor |
| 4 | Relief Valve Port | 13 | Beater | 23 | Spinner |
| 5 | O-Ring | 14 | Allen Head Setscrew | 24 | spring |
| 6 | Flatwasher (4) | 15 | Beater Shaft Coupling | 25 | Shaft Release |
| 7 | Hex Nut (4) | 16 | Drive Pin | 26 | Bearing |
| 8 | Faceplate | 17 | Bearing Housing Locking Tab (4) | 27 | Bearing Housing |
| 9 | Relief Valve | 18 | Bearing Retainer | | |
| | | 19 | Beater Motor Drive Shaft | | |

FIGURE 8. FREEZE CYLINDER CUTAWAY VIEW

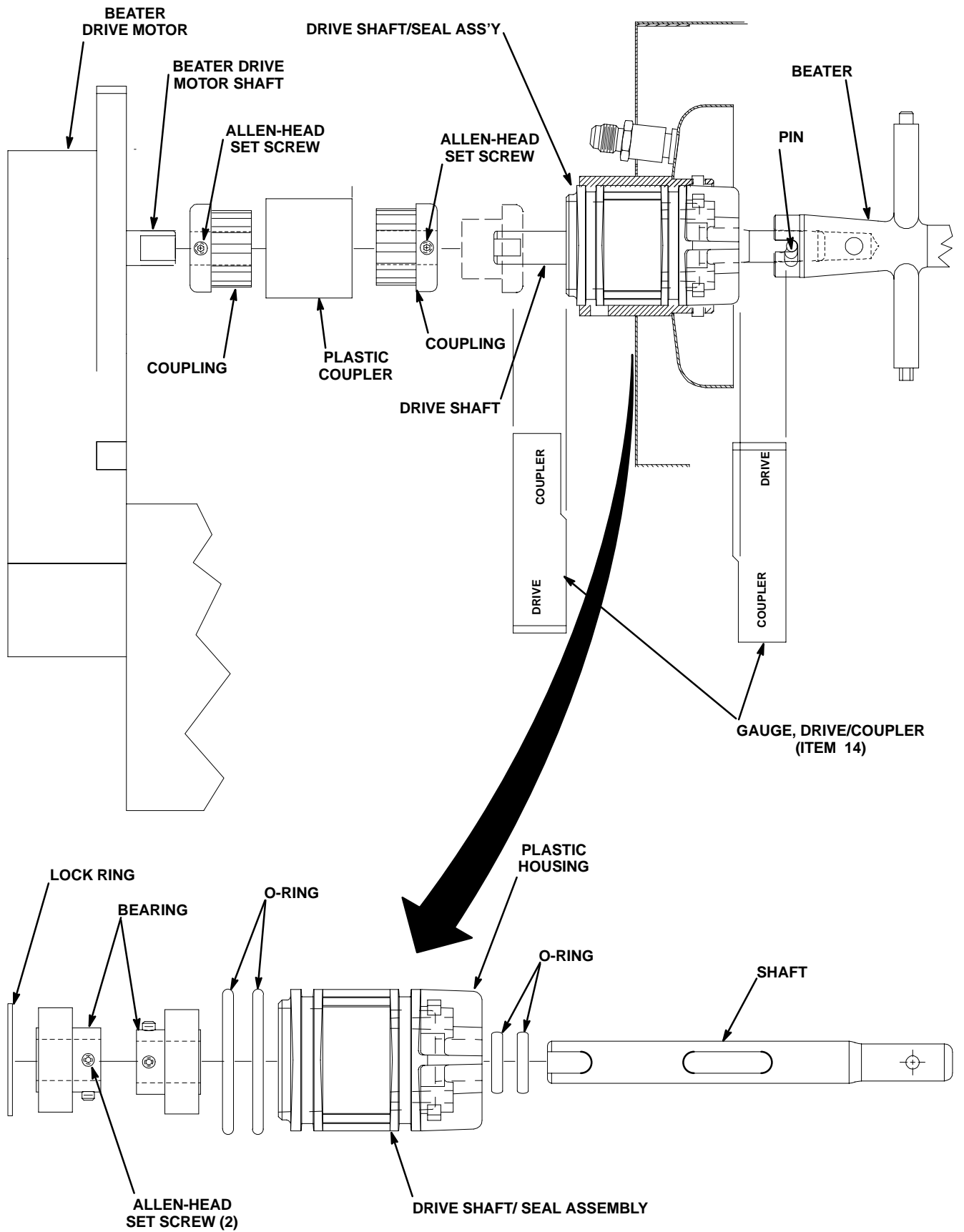


FIGURE 9. SERVICING BEATER MOTOR DRIVE SHAFT/SEAL ASSEMBLY

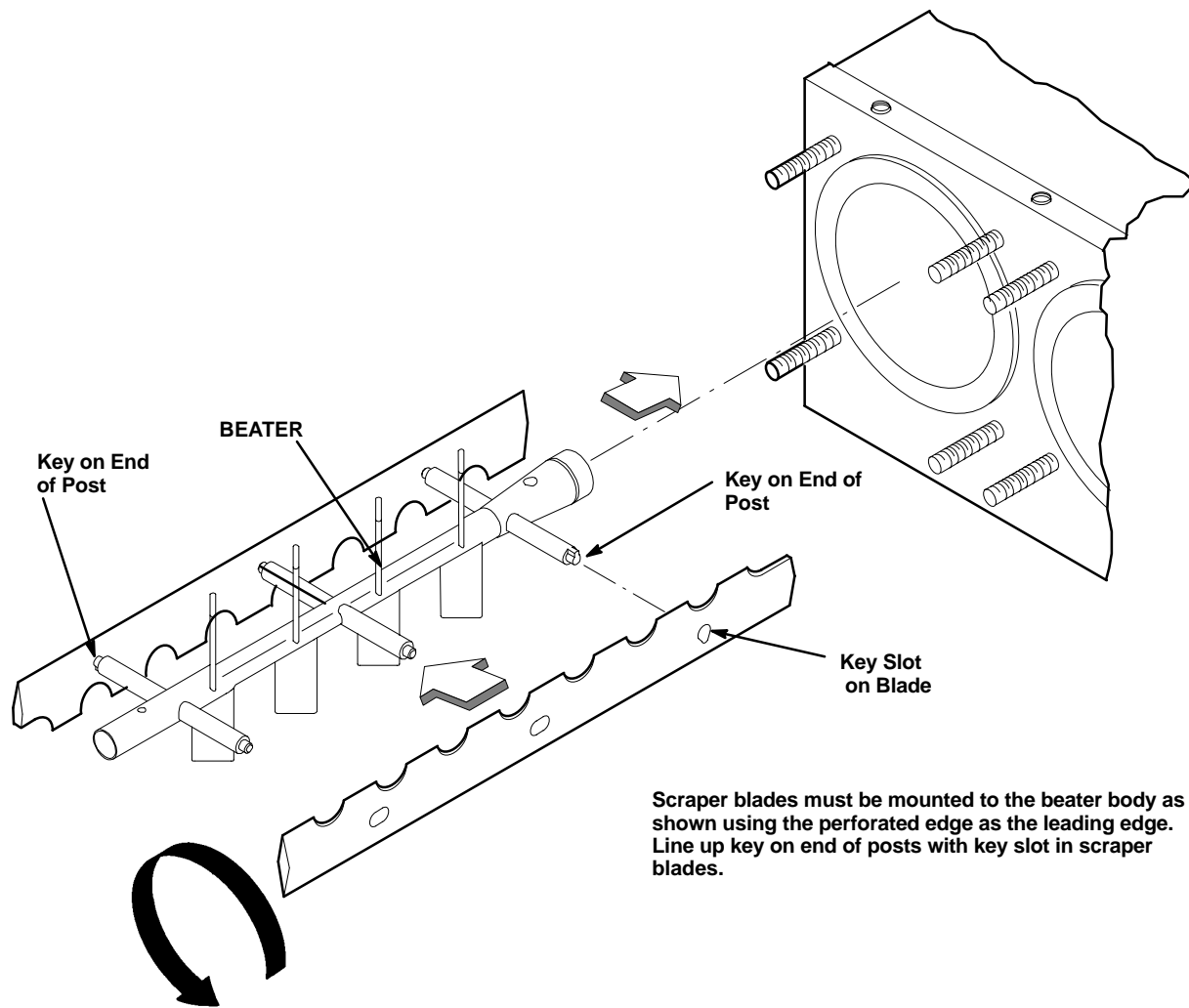


FIGURE 10. BEATERS AND SCRAPER BLADES INSTALLATION

1. Press applicable "OFF 1" or "OFF 2" switch to prevent more product from entering the applicable product blender tank.
2. Disconnect Unit syrup inlet line from the applicable soft drink tank.
3. Using a flat blade screwdriver, turn lock counterclockwise to unlock the front access door (see Figure 5), then open the door.
4. Remove lower front access panel as instructed for access to the applicable carbonated water flow regulator, product shutoff valve, and the product sample valve.
5. Close applicable product shutoff valve to prevent more product from entering the freeze cylinder.
6. Place container under applicable product sample valve. Open the valve and allow all product to be purged from the product blender tank, then close the valve.
7. Note pressure setting on the applicable secondary CO₂ regulator with 60-psi gauge for the applicable product blender tank. Turn regulator adjusting screw out (counterclockwise) until gauge reads 0-psi. Pull up on the applicable product blender tank relief valve to release CO₂ pressure from the tank.
8. Disconnect carbonated water line from the outlet side of the applicable carbonated water flow regulator.
9. Connect line, long enough to reach to the outside of the Unit, to the water flow regulator outlet, then route the line to the outside of the Unit.
10. Place end of the carbonated water line, routed to the outside of the Unit, in the container.

11. Press applicable "AUTO BLEND 1" or "AUTO BLEND 2" switch to activate the electrically operated carbonated water solenoid.
12. When a steady stream of water is flowing from the added length of line, catch carbonated water in a container graduated in ounces for exactly 10 seconds. Press applicable "FILL 1" or "FILL 2" switch to deactivate the carbonated water solenoid. In 10 seconds, 12 to 14-ounces of water should have been dispensed.
13. If adjustment is necessary, turn the carbonated water flow regulator adjusting screw to the left (counterclockwise) to reduce carbonated water flow rate or turn the screw to the right (clockwise) to increase the flow rate.
14. Repeat steps 11 through 13 until the desired carbonated water flow rate is achieved.
15. Remove added length of line from the outlet side of the carbonated water flow regulator. Connect the carbonated water line, disconnected from the carbonated water flow regulator in step 8 preceding, to the regulator outlet.
16. Turn the product blender tanks CO₂ regulator, with 60-psi gauge, adjusting screw in (clockwise) until gauge registers pressure noted in step 7 preceding.
17. Pull relief valve on the applicable product blender tank to purge air from the tank, then close the valve.
18. Connect Unit syrup inlet line to the soft drink tank.
19. Press the applicable "AUTO BLEND 1" or "AUTO BLEND 2" switch to fill the product blender tank with product.
20. Open the product shutoff valve that was closed in step 4 preceding.
21. Close front access door, then use a flat blade screwdriver to turn lock clockwise to lock the door.
22. Install the lower front access panel by reversing the removal procedure.

ADJUSTING CO₂ REGULATORS

NOTE: To readjust CO₂ regulator to a lower setting, loosen the adjusting screw lock nut, then turn the screw to the left (counterclockwise) until the pressure gauge reads 5-psi lower than the new setting will be. Turn the adjusting screw to the right (clockwise) until the gauge registers a new setting, then tighten the lock nut.

Primary CO₂ Regulator.

(see Figure 2)

Adjust the primary CO₂ regulator by turning the regulator adjusting screw to the right (clockwise) until the regulator pressure reads 80 to 100-psig.

Product Blender Tanks Secondary CO₂ Regulators.

(see Figures 2 and 6)

1. Remove the Unit lower front access panel as instructed for access to the product blender tanks secondary CO₂ regulators.
2. Adjust the product blender tanks secondary CO₂ regulators, with 60-psi gauges, by turning their regulator adjusting screws to the right (clockwise) until their gauges read 25 to 30-psig for best textured product.
3. Install the lower front access panel by reversing the removal procedure.

Carbonator Secondary CO₂ Regulator.

(see Figure 2 and 6)

1. Remove the Unit lower front access panel as instructed for access to the carbonator(s) secondary CO₂ regulator(s).

IMPORTANT: The carbonator tank secondary CO₂ regulator must be adjusted 25-psi higher or more above the product blender tanks secondary CO₂ regulators pressure settings. The carbonated water and syrup pressures must be able to overcome and vent the product blender tanks head pressures while the tanks are filling with carbonated water and syrup. Carbonator tank secondary CO₂ regulator not adjusted high enough will cause a decreased flow of carbonated water into the blender tanks, which will increase brix of the dispensed product.

2. Adjust carbonator(s) secondary CO₂ regulator(s), with 100-psi gauge(s), by turning regulator(s) adjusting screw(s) to the right (clockwise) until gauge(s) reads 50 to 60-psi.
3. Install the lower front access panel by reversing the removal procedure.

ADJUSTING BRIX (WATER-TO-SYRUP) “RATIO” OF DISPENSED PRODUCT

(see Figures 2 and 6)

1. Remove Unit lower front access panel as instructed for access to product blender tanks secondary CO₂ regulators and product sample valves.
2. Check product blender tanks secondary CO₂ regulators, with 60-psi gauges, for proper pressure settings which is set at 25 to 30-psi for best textured dispensed product. If adjustment is necessary, adjust as instructed.
3. Remove both Unit side panels as instructed for access to product shutoff valves located close to product blender tanks.
4. Close product shutoff valve in line between applicable product blender tank and associated freeze cylinder brix adjustment will be performed on.
5. Press applicable “FILL 1” or “FILL 2” switch to prevent more product from filling product blender tank.
6. Open applicable product blender tank product sample valve and take sample (approximately 6-ounces) of product in cup.

NOTE: Temperature compensated hand-type refractometers (P/N 511004000) are available from the Cornelius Company.

7. Observe pressure setting on carbonator secondary CO₂ regulator gauge.
8. Press applicable “AUTO BLEND 1” or “AUTO BLEND 2” switch to fill product blender tank 1/4-full of new batch of product. When product blender tank is 1/4-full of product, press applicable “FILL 1” or “FILL 2” switch to prevent more product from entering product blender tank.
9. Repeat steps 6 and 7 preceding to check product sample for brix.
10. Repeat steps 7 through 10 preceding until proper brix adjustment is achieved.
11. Open product shutoff valve in line between product blender tank and freeze cylinder.
12. Press applicable “AUTO BLEND 1” or “AUTO BLEND 2” switch.
13. Install Unit side panels and lower front access panel by reversing removal procedures.

PRODUCT CARBONATION ADJUSTMENT

(see Figures 2 and 6)

Carbonation of dispensed product can also be varied to suit consumer preference by adjusting Unit carbonator secondary CO₂ regulator as follows:

IMPORTANT: Carbonator tank secondary CO₂ regulator must be adjusted 25-psi higher or more above product blender tanks secondary CO₂ regulator pressure settings. Carbonated water and syrup pressures must be able to overcome and vent product blender tanks head pressures while tanks are filling with carbonated water and syrup. Carbonator tank secondary CO₂ regulator not adjusted high enough will cause decreased flow of carbonated water into blender tanks, which will increase brix of dispensed product.

1. Remove Unit lower front access panel as instructed for access to carbonator secondary CO₂ regulator with 100-psi gauge.
2. Observe pressure setting on carbonator secondary CO₂ regulator gauge.
3. To lower CO₂ pressure, loosen regulator adjusting screw lock nut. Turn adjusting screw to the left (counter-clockwise) until pressure gauge reads 15-psi below desired reading, then turn screw to the right (clockwise) until gauge reads desired pressure. **DO NOT SET CO₂ REGULATOR PRESSURE BELOW 25-PSI HIGHER THAN PRODUCT BLENDER TANKS CO₂ REGULATORS ARE ADJUSTED TO (SEE PRECEDING IMPORTANT NOTE).** Tighten adjusting screw lock nut after each adjustment.
4. Observe pressure setting on carbonator secondary CO₂ regulator gauge.
5. To raise CO₂ pressure, turn regulator adjusting screw to the right (clockwise) until gauge reads desired pressure. **DO NOT SET PRESSURE HIGHER THAN 60-PSI.** Make sure primary CO₂ regulator on CO₂ cylinder is set at 80 to 100-psi. Tighten adjusting screw lock nut after each adjustment.
6. Install lower front access panel on Unit.

CLEANING AND SANITIZING

DAILY CLEANING OF UNIT

Daily, or more often if necessary, wash all external surfaces of Unit with a mild soap solution. Rinse with clean water, then wipe dry with a clean soft cloth. **DO NOT USE ABRASIVE CLEANERS.** Remove and wash drip tray in mild soap solution, rinse with clean water, then install drip tray on Unit.

SANITIZING SYRUP SYSTEMS

NOTE: The Unit should be sanitized every 120 days following Sanitizer Manufacturer's recommendation. Use Chlor-Tergent (Oakite Products, Inc.) or equivalent sanitizer.

The Unit should be sanitized every 120 days and before and after storage periods following parent company requirements and sanitizer manufacturer's recommendations. One or both syrup systems may be sanitized at one time for routine 120 days sanitizing requirements. The following sanitizing instructions use No. 1 syrup system as an example. No. 2 syrup system sanitizing instructions are identical to No. 1 syrup system with the exception of using applicable system switches. Proceed as follows:

1. Press "OFF 2" switch to stop beater motor and refrigeration in No. 2 freeze cylinder, which is not to be defrosted. "OFF 2" fault message will appear on message display.
2. Press "DEFROST" switch to start defrost cycle on No. 1 freeze cylinder. "DEFROST 1" message will appear on message display as long as defrost cycle is in progress.
3. Immediately press "AUTO 2" control switch to restart beater in No. 2 freeze cylinder. Refrigeration in No. 2 cylinder will not be operating.

4. Remove right-hand side panel as instructed for access to No. 2 product blender tank product shutoff valve.
5. Close No. 2 product blender tank product shutoff valve to prevent product bleeding back into No. 1 product blender tank during sanitizing procedure.

IMPORTANT: The following CO₂ and liquid disconnects disconnecting and connecting procedure for soft drink tank replacement or filling soft drink tank in place must be performed in order as follows:

6. To disconnect soft drink tank from Unit syrup system.
 - A. Disconnect liquid disconnect soft drink tank. **NOTE - Disconnecting liquid quick disconnect from soft drink tank first prevents syrup from backflowing through Unit syrup flow regulator, which may alter regulator adjustments.**
 - B. Second, disconnect CO₂ quick disconnect from soft drink tank.
7. To connect soft drink tank into Unit syrup system.
 - A. First, connect CO₂ quick disconnect to soft drink tank to pressurize tank.
 - B. Second, connect liquid quick disconnect to soft drink tank.
8. Disconnect soft drink tank containing syrup from No. 1 syrup system.
9. Connect clean empty soft drink tank into No. 1 syrup system.
10. Place waste container under No. 1 cylinder dispensing valve nozzle. Open dispensing valve and dispense all product from cylinder. As product level lowers in cylinder, partially close valve to avoid spurting.
11. Remove Unit lower front access panel as instructed for access to No. 1 product blender tank product sample valve.
12. Place waste container under No. 1 product blender tank product sample valve. Slowly open valve and purge remaining product out of tank, then close valve.
13. Disconnect empty soft drink tank from No. 1 syrup system.
14. Refer to SERVICING DISPENSING VALVES CAGED O-RINGS AND FREEZE CYLINDERS DRIVE SHAFT/SEAL ASSEMBLIES under LUBRICATION and perform procedure to lubricate dispensing valve caged O-ring and drive shaft seal assembly.



WARNING: To avoid possible injury or property damage, do not attempt to remove soft drink tank cover until CO₂ pressure has been released from tank.

15. Pull up on empty soft drink tank cover relief valve to release CO₂ pressure from tank.



WARNING: If powder type sanitizer is used, it must be thoroughly dissolved with water prior to adding to soft drink tank.

NOTE: Sanitizing solution is used in a more concentrated form because it will be diluted approximately four-to-one in product blender tank.

16. Using clean empty soft drink tank, prepare full tank of sanitizing solution using Chlor-Tergent (Oakite Product, Inc.) or equivalent sanitizer. Mix sanitizing solution by using 70° F to 100° F (max) plain water and 2.65 oz./gallon sanitizer. This mixture will provide 800-ppm of chlorine. Sanitizing solution will be diluted to approximately 200-ppm inside product blender tank after carbonated water has been mixed with sanitizing solution.
17. Shake sanitizing solution tank to thoroughly mix solution, then connect tank into No. 1 syrup system.
18. Press "FILL 1" switch to fill No. 1 syrup system syrup float switch with sanitizing solution. "SYRUP 1" fault message on message display will go out indicating syrup float switch has been filled with sanitizing solution.

19. Press “AUTO BLEND 1” switch to fill No. 1 product blender tank with sanitizing solution. Carbonator water pump will start and begin pumping carbonated water into product blender tank, which will dilute sanitizing solution also entering tank.
20. After carbonator water pump cycles off, completely fill No. 1 freeze cylinder with sanitizing solution by repeatedly pulling and releasing relief valve knob on freeze cylinder faceplate and until sanitizing solution comes out of relief valve port. Open dispensing valve until sanitizing solution flows from valve, then close valve. Open product blender tank sample valve until sanitizing solution flows from valve, then close valve.
21. Press “WASH 1” switch to start No. 1 freeze cylinder beater. Allow sanitizing solution to remain in freeze cylinder for no less than 10 and no more than 15 minutes (max) contact time.
22. When sanitizing solution contact time has elapsed, press “OFF 1” switch to stop No. 1 freeze cylinder beater.
23. Hold appropriate container under dispensing valve and dispense until soft drink tank containing sanitizing solution is empty and all sanitizing solution has been dispensed from freeze cylinder. As sanitizing solution level lowers in freeze cylinder, partially close valve to avoid spurting. Dispose of sanitizing solution in a safe way.
24. Place waste container under No. 1 system product sample valve. Slowly open valve and purge remaining sanitizing solution out of product blender tank, then close valve.
25. Disconnect empty sanitizing solution tank from No. 1 syrup system.
26. Connect soft drink tank containing syrup into No. 1 syrup system.



WARNING: Flush residual sanitizing solution from syrup system as instructed. Residual solution left in system could create a health hazard.

27. Press “FILL 1” switch to fill No. 1 syrup system syrup float switch with syrup. “SYRUP 1” fault message on message display will go out indicating syrup float switch has been filled with syrup.
28. Press “AUTO BLEND 1” switch to fill No. 1 product blender tank with product. Carbonator water pump will start and begin pumping carbonated water into product blender tank along with syrup to make product.
29. After carbonator water pump cycles off, completely fill No. 1 freeze cylinder with product by repeatedly pulling and releasing faceplate relief valve and until product comes out of relief valve port. Open dispensing valve until product flows from valve, then close valve. Open No. 1 system product sample valve until product flows from valve, then close valve.
30. Press “WASH 1” switch to start No. 1 freeze cylinder beater. Allow beater to operate for five minutes, then press “OFF 1” switch to stop beater.
31. Disconnect soft drink tank containing syrup from No. 1 syrup system.
32. Connect clean empty soft drink tank into No. 1 syrup system.
33. Hold appropriate container under dispensing valve and dispense until all product has been dispensed from freeze cylinder. As product level lowers in freeze cylinder, partially close valve to avoid spurting.
34. Place waste container under No. 1 system product sample valve. Slowly open valve and purge remaining product out of product blender tank.
35. Disconnect empty soft drink tank from No. 1 syrup system and install tank containing syrup.
36. Press “FILL 1” switch to fill No. 1 syrup system syrup float switch with syrup. “SYRUP 1” fault message on message display will go out indicating syrup float switch has been filled with syrup.
37. Press “AUTO BLEND 1” switch to fill No. 1 product blender tank with product. Carbonator water pump will start and begin pumping carbonated water into product blender tank along with syrup to make product.



CAUTION: Do not relieve freeze cylinder pressure too fast or product will foam excessively in cylinder and lose carbonation.

38. After carbonator water pump cycles off, intermittently pull and release No. 1 freeze cylinder faceplate relief valve. This bleeds CO₂ from freeze cylinder and allows product to enter and fill cylinder.
39. Open No. 2 product blender tank product shutoff valve.
40. Press both "AUTO 1" and "AUTO 2" switches to start both freeze cylinders beaters and refrigeration system. Product will be ready for dispensing in approximately 10 minutes.
41. Install right-hand side panel and lower front access panel by reversing removal procedure.
42. Service water pump water strainer screen before servicing water pump double liquid check valve.
43. Disconnect carbonator tank water line from double liquid check valve assembly outlet.

YEARLY OR AFTER WATER SYSTEM DISRUPTION



WARNING: The carbonator water pump water strainer screen and the double liquid check valve must be inspected and serviced after any disruptions (plumbing work, earthquake, etc.) to the water supply system, and at least once a year under normal circumstances.

Water pump with no strainer screen or a defective screen would allow foreign particles to foul the double liquid check valve. CO₂ gas could then back flow into the water system and create a health hazard in the water system.

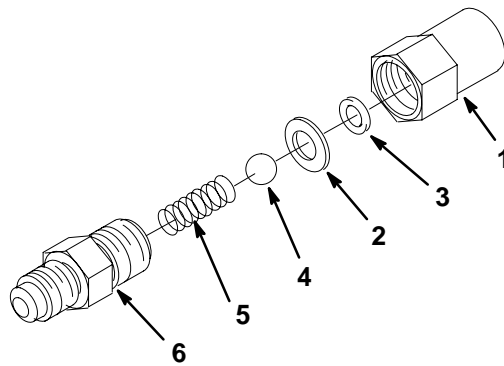
SERVICING CARBONATOR WATER PUMP WATER STRAINER SCREEN

(see Figure 2 and 12)

1. Press "OFF 1" and "OFF 2" switches to stop freeze cylinders beaters and refrigeration systems.
2. Disconnect electrical power from Unit.
3. Close CO₂ cylinder and water inlet supply line shutoff valve.
4. Using a flat blade screwdriver, turn lock counterclockwise to unlock the front access door (see Figure 5), then open the door.
5. Remove back panel as instructed for access to the water pump water strainer screen.
6. Pull up on carbonator tank relief valve plastic cover to release CO₂ pressure from tank.
7. Loosen screen retainer in water pump port, then remove screen retainer and strainer screen from the port.
8. Pull strainer screen from the screen retainer. Clean any sediment from the screen retainer and the water pump port.
9. Inspect strainer screen for holes, restrictions, corrosion, and other damage. Discard damaged strainer screen.
10. Check O-ring on screen retainer. Replace worn or damaged O-ring (P/N 315349000).

Note: A strainer screen should always be used, otherwise particles could foul the double liquid check valve.

11. Install good or new strainer screen (P/N 315348000) in screen retainer, then screw retainer into water pump port and tighten securely.
12. Proceed to SERVICING CARBONATOR WATER PUMP DOUBLE LIQUID CHECK VALVE.



Index No	Part No	Name
1	317965000	Retainer
2	312196000	Spring
3	312419000	Ball
4	312415000	Washer, .300 I.D.
5	312418000	Quad Ring
6	317963000	Body

*Install new ball seat each servicing.

FIGURE 11. LIQUID CHECK VALVE ASSEMBLY

SERVICING CARBONATOR WATER PUMP DOUBLE LIQUID CHECK VALVE

(see Figures 2 and 12)

1. Service water pump water strainer screen before servicing the water pump double liquid check valve.
2. Disconnect carbonator water line from double liquid check valve assembly outlet.
3. Remove double liquid check valve assembly from elbow in water pump outlet port. Retain white tapered gasket inside (female) end of double liquid check valve.
4. Disassemble each check valve as shown in Figure 11.
5. Wipe each part with a clean lint-free cloth. Inspect each part, especially ball for burrs, nicks, corrosion, deterioration, and other damage. Discard ball seat and any damaged or suspicious parts and replace with new parts during reassemble.
6. Reassemble liquid check valves as shown in Figure 11. ALWAYS INSTALL NEW BALL SEAT (QUAD RING) P/N 312418000.

NOTE: Make sure when assembling check valves together, check to ensure the valve female end (with white tapered gasket inside) is on inlet side of double liquid check valve assembly.

7. Assemble check valves together. DO NOT OVERTIGHTEN.
8. Make sure white tapered gasket is in place inside female end of double liquid check valve assembly, then install check valve assembly on elbow in water pump outlet port.
9. Connect carbonator tank water line to double liquid check valve assembly outlet. DO NOT OVERTIGHTEN.

10. Open CO₂ cylinder and water inlet supply lines shutoff valves. Check for water leaks and tighten any loose connections.
11. Close front access door, then use a flat blade screwdriver to turn lock clockwise to lock the door.
12. Install back panel by reversing the removal procedure.
13. Connect electrical power to Unit.
14. Press both "AUTO BLEND 1" and "AUTO BLEND 2" switches.
15. Press both "AUTO 1" and "AUTO 2" switches to start freeze cylinders beaters and refrigeration system.

REPLENISHING SYRUP SUPPLY

NOTE: Sugar-free diet syrup cannot be used with this Unit.

Although syrup replenishing can be done anytime, syrup supply must be replenished when either "SYRUP 1" or "SYRUP 2" fault messages are displayed on message display indicating either No. 1 or No. 2 syrup system soft drink tank is empty.

NOTE: The following instructions are applicable only when replenishing syrup supply. Refer to SYRUP FLAVOR CHANGE when changing syrup flavors.

1. Remove double liquid check valve assembly from elbow in water pump outlet port. Retain white tapered gasket inside inlet (female) end of double liquid check valve.
2. Press applicable "OFF 1" or "OFF 2" switch to stop applicable freeze cylinder beater and refrigeration system.

IMPORTANT: The following CO₂ and liquid disconnect and connecting procedure for soft drink tank replacement or filling soft drink tank in place must be performed in order as follows:

3. To disconnect soft drink tank from Unit syrup system.
 - A. Disconnect liquid disconnect from soft drink tank. **NOTE - Disconnecting liquid quick disconnect from soft drink tank first prevents syrup from backflowing through Unit syrup flow regulator, which may alter regulator adjustment.**
 - B. Second, disconnect CO₂ quick disconnect from soft drink tank.
4. To connect soft drink tank into Unit syrup system.
 - A. First, connect CO₂ quick disconnect to soft drink tank to pressurize tank.
 - B. Second, connect liquid quick disconnect to soft drink tank.
5. Disconnect inlet (CO₂) and outlet (syrup) lines from empty soft drink tank.
6. Check soft drink tank quick disconnects for sticky or restricted operation. Rinse disconnects in warm water.
7. First, pressurize full soft drink tank by connecting CO₂ line to tank, then connect Unit syrup inlet line to tank.
8. Press applicable "FILL 1" or "FILL 2" switch to fill applicable No. 1 or No. 2 syrup system syrup float switch with syrup.
9. Press applicable "AUTO BLEND 1" or "AUTO BLEND 2" switch to fill applicable No. 1 or No. 2 system product blender tank with product.
10. Press applicable "AUTO 1" or "AUTO 2" switch to start refrigeration system and beater in applicable No. 1 or No. 2 freeze cylinder.
11. If freeze cylinder is not full of product, repeatedly pull and release faceplate relief valve to slowly bleed CO₂ from freeze cylinder and allow product to fill cylinder. Do not relieve freeze cylinder pressure too fast or product will foam excessively in cylinder and lose carbonation.

REPLENISHING CO₂ SUPPLY



WARNING: CO₂ displaces oxygen. Strict attention *must* be observed in the prevention of CO₂ (carbon dioxide) gas leaks in the entire CO₂ and soft drink system. If a CO₂ gas leak is suspected, particularly in a small area, *immediately* ventilate the contaminated area before attempting to repair the leak. Personnel exposed to high concentration of CO₂ gas will experience tremors which are followed rapidly by loss of consciousness and suffocation.

NOTE: When indicator on primary CO₂ cylinder regulator assembly 1800-psi gauge is in shaded (“change CO₂ cylinder”) portion of the dial, CO₂ cylinder is almost empty and should be changed.

1. Fully close (clockwise) CO₂ cylinder valve.
2. Slowly loosen CO₂ regulator assembly coupling nut allowing CO₂ pressure to escape, then remove regulator assembly from empty CO₂ cylinder.
3. Unfasten safety chain and remove empty CO₂ cylinder.
4. Position full CO₂ cylinder and secure with safety chain.



WARNING: To avoid personal injury and/or property damage, always secure CO₂ cylinder in upright position with safety chain to prevent it from falling over. Should valve become accidentally damaged or broken off, CO₂ cylinder can cause serious personal injury.

5. Make sure gasket is in place inside CO₂ regulator coupling nut, then install regulator on CO₂ cylinder.
6. Open (counterclockwise) CO₂ cylinder valve slightly to allow lines to slowly fill with gas, then open valve fully to back-seat valve. (Back-seating valve prevents leakage around valve shaft).
7. Check CO₂ connections for leaks. Tighten loose connections.

SYRUP FLAVOR CHANGE

One or both syrup flavors can be changed at the same time. Perform flavor change on one system as follows:

1. Perform sanitizing procedure on syrup system. Syrup flavor change will be made as instructed in the SERVICE AND MAINTENANCE SECTION.

IMPORTANT: The following CO₂ and liquid disconnects disconnecting and connecting procedure for soft drink tank replacement or filling soft drink tank in place must be performed in order as follows:

2. To disconnect soft drink tank from Unit syrup system.
 - A. Disconnect liquid disconnect from soft drink tank. **NOTE - Disconnecting liquid disconnect from soft drink tank first prevents syrup from backflowing through Unit syrup flow regulator, which may alter regulator adjustment.**
 - B. Second, disconnect CO₂ quick disconnect from soft drink tank.
3. To connect soft drink tank into Unit syrup system.
 - A. First, connect CO₂ quick disconnect to soft drink tank to pressurize tank.
 - B. Second, connect liquid quick disconnect to soft drink tank.
4. First, pressurize soft drink tank containing new flavor syrup by connecting CO₂ line to tank, then connect Unit syrup inlet line to tank.

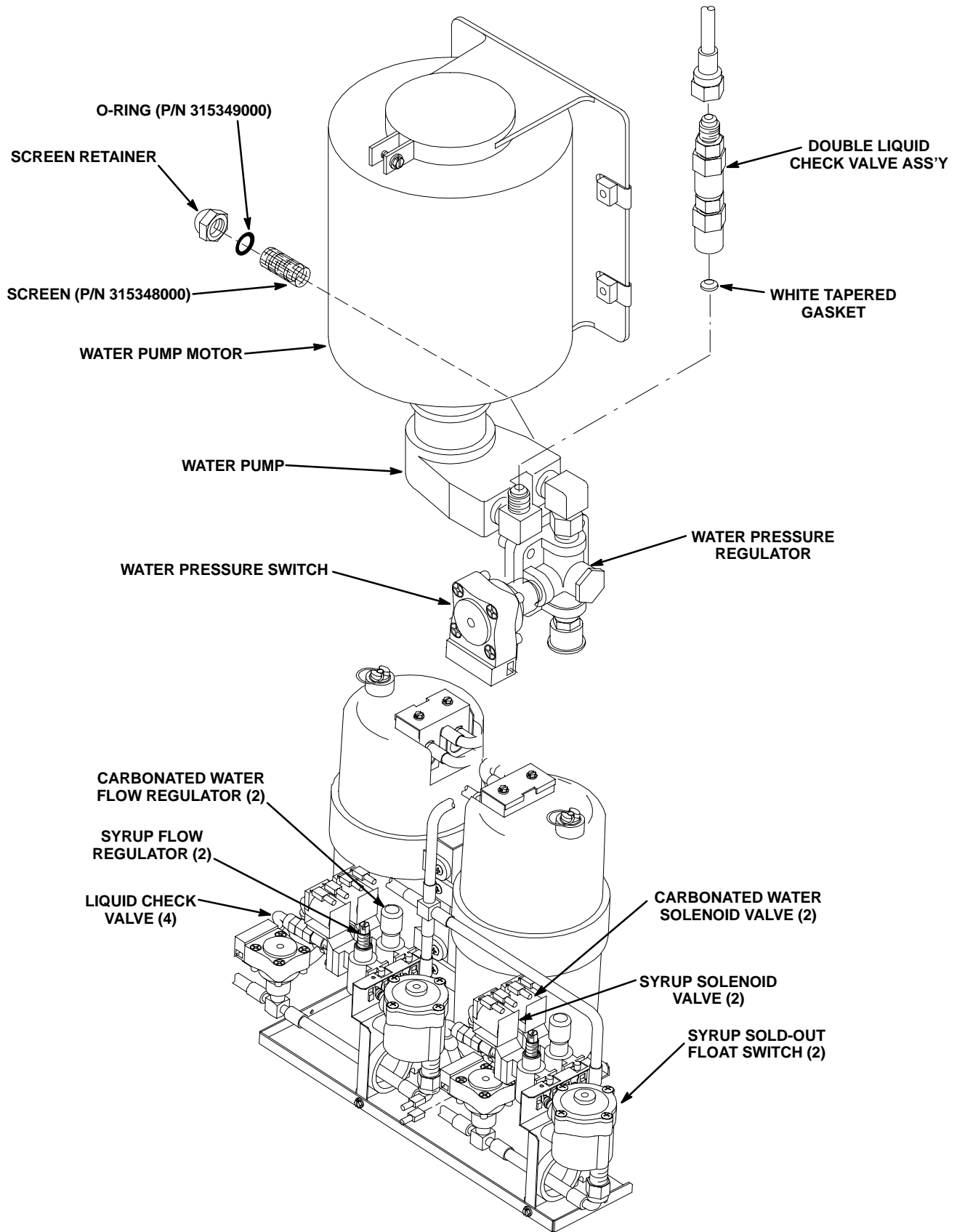


FIGURE 12. WATER STRAINER SCREEN AND DOUBLE LIQUID CHECK VALVE

5. Press applicable “FILL 1” or “FILL 2” switch to fill applicable No. 1 or No. 2 syrup system syrup float switch with syrup.
6. Press applicable “AUTO BLEND 1” or “AUTO BLEND 2” switch to fill applicable No. 1 or No. 2 system product blender tank with product.
7. Press applicable “AUTO 1” or “AUTO 2” switch to start refrigeration system and beater in applicable No. 1 or No. 2 freeze cylinder.



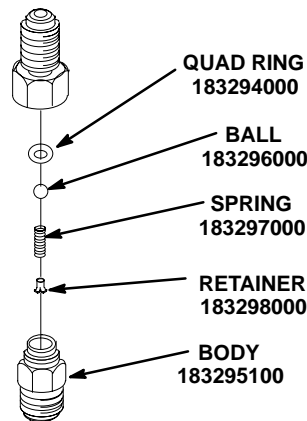
CAUTION: Do not relieve freeze cylinder pressure too fast or product will foam excessively in freeze cylinder and lose carbonation.

8. After carbonator water pump cycles off, intermittently pull and release applicable No. 1 or No. 2 freeze cylinder faceplate relief valve. This bleeds CO₂ from freeze cylinder and allows product to enter and fill cylinder.
9. If necessary, adjust BRIX, product viscosity (product consistency), and product carbonation of dispensed product as instructed.

CLEANING CO₂ GAS CHECK VALVES

(see applicable Figures 2 and 13)

The CO₂ gas check valves must be inspected and serviced at least once a year under normal conditions and after any servicing or disruption of the CO₂ system. ALWAYS REPLACE QUAD RING SEAL EACH TIME GAS CHECK VALVES ARE SERVICED.



QUAD RING SEAL *MUST* BE REPLACED EACH TIME CHECK VALVE IS SERVICED.

FIGURE 13. CO₂ GAS CHECK VALVE

REPLACING FREEZE CYLINDER BEATER DRIVE MOTOR

(see Figures 5 and 9)

IMPORTANT: Note in 6 “MOTOR SELECT” the number of freeze cylinder beater drive motors manufacturers that are listed. Your Unit was manufactured and equipped with freeze cylinder beater drive motors from one of these manufacturers. The replacement freeze cylinder beater drive motor is also manufactured by one of these manufacturers listed. WHEN REPLACING ONE OF THE BEATER MOTORS, NOTE THE MANUFACTURER’S NAME ON THE MOTOR. THE BEATER MOTOR MANUFACTURER’S NAME MUST BE PROGRAMMED INTO THE UNIT WHICH WILL MATCH THE MOTOR TO THE UNIT ELECTRONICS. Proceed as follows to replace the freeze cylinder beater drive motor.

1. Press "OFF 1" and "OFF 2" control switches to stop the refrigeration system and the beater drive motors.
2. Disconnect electrical power to the Unit.
3. Remove Unit back and both side panels as instructed.
4. Remove one bolt and two hex nuts and two lockwashers securing motor to Unit frame.
5. *Very carefully*, pull motor back off two mounting studs and disengage motor shaft and plastic coupler from freeze cylinder drive shaft.
6. Lower motor down to Unit bottom platform, then turn motor for access to it's electrical wiring cover plate.
7. Remove two screws securing the electrical wiring cover plate, then remove plate for access to electrical terminals.
8. Tag beater drive motor electrical wiring for identification, then disconnect wiring from terminals.
9. Remove old beater drive motor from inside Unit.
10. Remove plastic coupler from the old beater drive motor shaft and install on the new motor shaft. **MAKE SURE THE ALLEN-HEAD SET SCREWS ARE SECURELY TIGHTENED AND PROPERLY SEATED ON THE SHAFT FLAT SURFACE.**
11. Install new beater drive motor in the Unit by reversing removal procedure.



CAUTION: The new beater drive motor has a screw in the vent hole on top of the gear box that must be removed before the motor is put into operation.

12. Remove screw from the vent hole on top of the beater drive motor gear box.
13. Install Unit back and both side panels by reversing removal procedures.
14. Restore the Unit to operation.
15. Refer to "PROGRAMMING FREEZE CYLINDER BEATER MOTORS INTO UNIT ELECTRONICS" in the INSTALLATION section to program the new replacement beater motor into the Unit to match the Unit electronics.

ADJUSTING CARBONATOR TANK LIQUID LEVEL

The carbonator tank liquid level (pump cut-in and cut-out) was adjusted at the factory and should require no further adjustment. However, if incorrect setting is suspected, check and make necessary adjustments as follows:

1. Remove Unit back and side panels as instructed for access to carbonator and carbonated water volume sample valve (see Figure 6 and 14).
2. To check carbonator tank total fill; allow carbonator water pump motor to operate and fill tank with carbonated water. After pump cycles off, disconnect electrical power from Unit.
3. Using container graduated in ounces, open carbonator carbonated water sample valve and completely drain carbonator tank into container. Total carbonated water volume dispensed should be 40 to 58-ounces maximum.
4. If total carbonated water dispensed is below 40 ounces, loosen screw securing level control switches actuator bracket (see Figure 14) and move actuator bracket up slightly. If more than 58 ounces, maximum of carbonated water was dispensed, move actuator bracket down, then tighten screw. **MAKE ADJUSTMENTS IN SMALL INCREMENTS.**
5. Connect electrical power to Unit and allow carbonator tank to fill with water until water pump cycles off.
6. Repeat steps 2 through 5 preceding as many times as necessary until correct carbonated water volume adjustment is achieved.

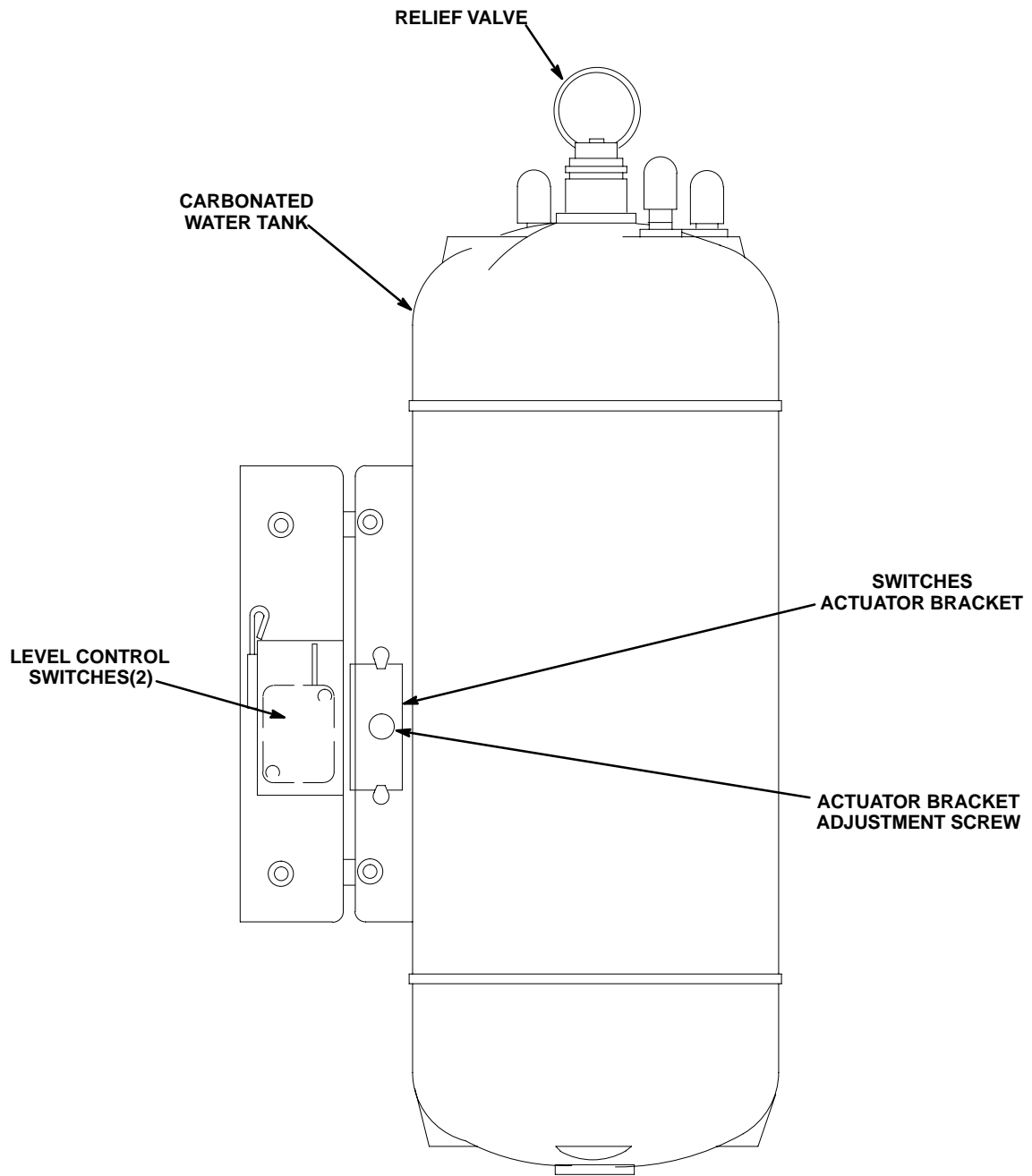


FIGURE 14. CARBONATOR LIQUID LEVEL CONTROL SWITCH ADJUSTMENT

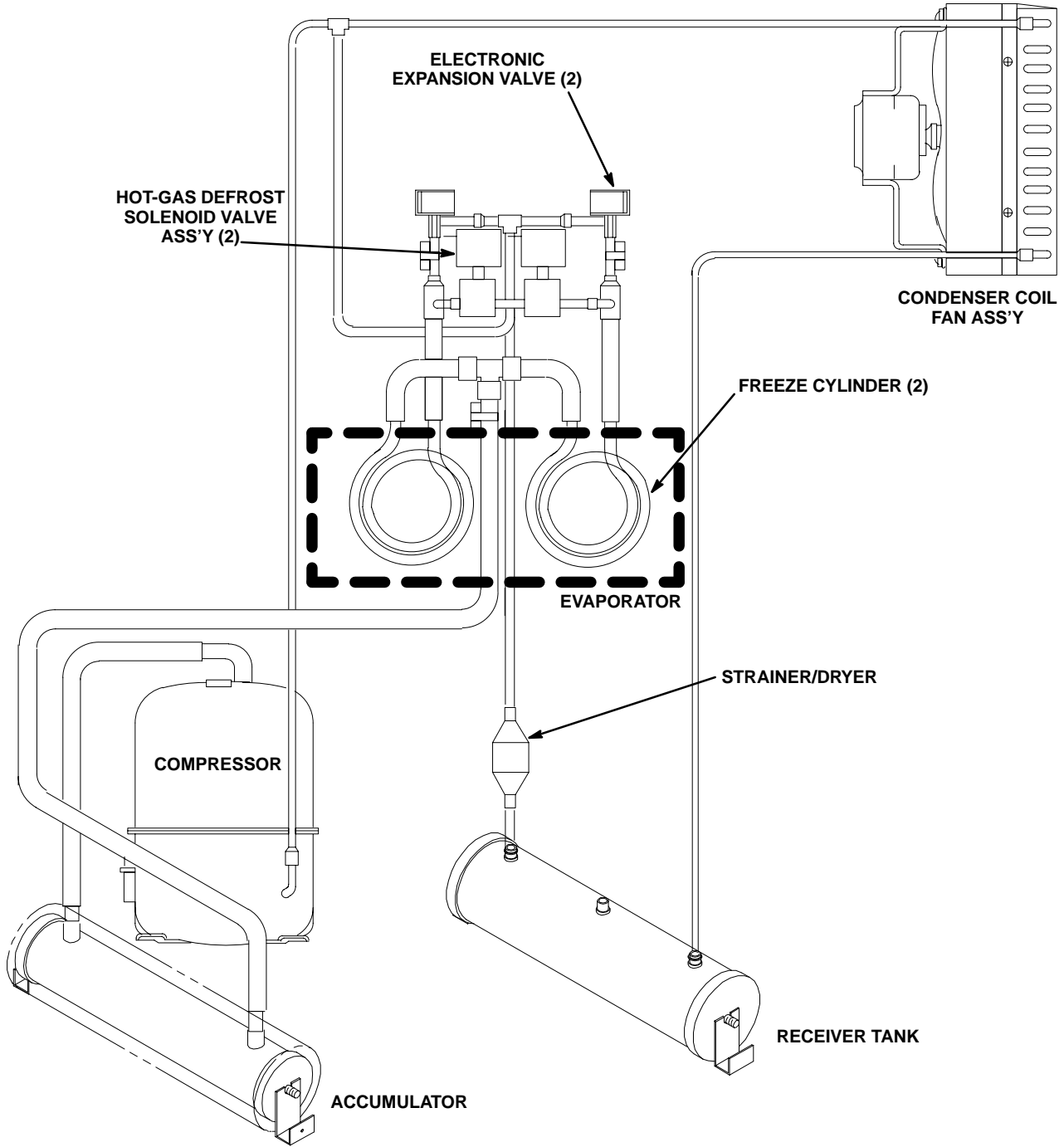
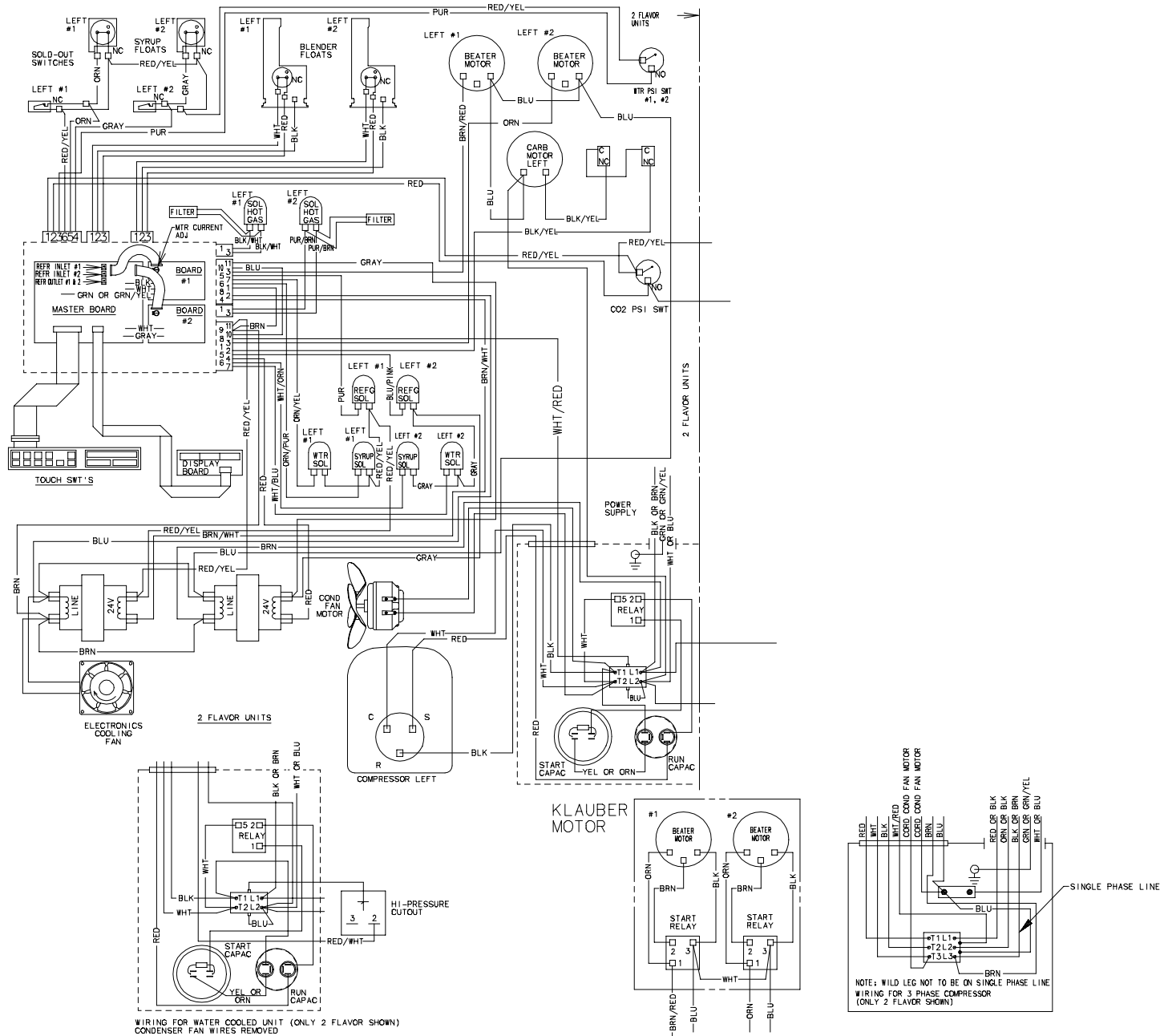


FIGURE 15. REFRIGERATION FLOW DIAGRAM



WIRING FOR WATER COOLED UNIT (ONLY 2 FLAVOR SHOWN)
CONDENSER FAN WIRES REMOVED

FIGURE 16. WIRING DIAGRAM

4476
REV-A

THIS PAGE LEFT BLANK INTENTIONALLY

TROUBLESHOOTING

IMPORTANT: Only qualified personnel should service internal components or electrical wiring.



WARNING: If repairs are to be made to a product system, remove quick disconnects from the applicable product tank, then relieve the system pressure before proceeding. If repairs are to be made to the CO₂ system, stop dispensing, shut off the CO₂ supply, then relieve the system pressure before proceeding. If repairs are to be made to the refrigeration system, make sure electrical power is disconnected from the unit.

IMPORTANT: The following CO₂ and liquid disconnects disconnecting and connecting procedure for soft drink tank replacement or filling soft drink tank in place must be performed in order as follows:

1. To disconnect soft drink tank from Unit syrup system.
 - A. Disconnect liquid disconnect from soft drink tank. **NOTE - Disconnecting liquid quick disconnect from soft drink tank first prevents syrup from backflowing through Unit syrup flow regulator, which may alter regulator adjustment.**
 - B. Second, disconnect CO₂ quick disconnect from soft drink tank.
2. To connect soft drink tank into Unit syrup system.
 - A. First, connect CO₂ quick disconnect to soft drink tank to pressurize tank.
 - B. Second, connect liquid quick disconnect to soft drink tank.

TROUBLESHOOTING CONTROL PANEL SWITCHES AND FAULT MESSAGES

Trouble	Probable Cause	Remedy
ONE OR MORE CONTROL PANEL SWITCHES NOT OPERATING.	A. Flat cable not properly connected to control switch module or master circuit board.	A. Properly connect flat cable to control switch module or master circuit board.
	B. Flat cable connected between control switch module and master circuit board pinched and shorted out or broken wire in cable.	B. Check cable for pinched or broken wire condition and repair or replace as necessary.
	C. Inoperable switch(s) on control panel switch module.	C. Replace control panel switch module.
	D. Master circuit board not operating properly.	D. Replace master circuit board.
ALL CONTROL PANEL SWITCHES NOT OPERATING.	A. Electric power disconnected from Unit.	A. Restore electric power to Unit.
	B. "SECURITY SWITCH" has not been pressed to activate control panel switches.	B. Press and hold "SECURITY SWITCH" for 3 seconds to restore control panel switches to operation.
	C. "SECURITY SWITCH" inoperable (control switches deactivated).	C. Replace control panel switch module.
	D. Flat cable not properly connected to control switch module or master circuit board.	D. Properly connect flat cable to control switch module or master circuit board.

Trouble	Probable Cause	Remedy
ALL CONTROL PANEL SWITCHES NOT OPERATING. (cont'd)	E. Flat cable connected between control switch module and master circuit board pinched and shorted out or broken wire in cable.	E. Check cable for pinched or broken wire condition and repair or replace as necessary.
	F. Master circuit board not operating properly.	F. Replace master circuit board.
CONTROL PANEL SWITCHES CANNOT BE DEACTIVATED.	A. Not pressing and holding "SECURITY SWITCH" for 3 seconds to deactivate control switches.	A. Press and hold "SECURITY SWITCH" for 3 seconds to deactivate control switches.
	B. "SECURITY SWITCH" inoperable.	B. Replace control panel switch module.
PARTIAL MESSAGE OR DULL (POORLY ILLUMINATED) DISPLAY.	A. Extremely low voltage.	A. Upgrade voltage.
ONE OR MORE FAULT MESSAGES NOT OPERATING.	A. Flat cable not properly connected to fault message module or master circuit board.	A. Properly connect flat cable to fault message module or master circuit board.
	B. Flat cable connected between fault message module and master circuit board pinched and shorted out or broken wire in cable.	B. Check cable for pinched or broken wire condition and repair or replace as necessary.
	C. External sensing device failing to signal master circuit board which in turn signals fault message display.	C. Replace or repair external sensing device.
	D. External sensing devices cable connectors not securely connected to master circuit board connectors.	D. Make sure external sensing devices cable connectors are securely connected to master circuit board connectors.
	E. Disconnected or broken wire between master circuit board connector and external sensing device.	E. Connect or repair wire between master circuit board connector and external sensing device.
	F. Master circuit board not operating properly.	F. Replace master circuit board.
	G. Fault message display module not operating properly.	G. Replace fault message display module.
ALL FAULT MESSAGES NOT OPERATING.	A. No electrical power to Unit.	A. Connect electrical power to Unit.
	B. Flat cable not properly connected to fault message module or master circuit board.	B. Properly connect flat cable to fault message module or master circuit board.
	C. Flat cable connected between fault message module and master circuit board pinched and shorted out or broken wire in cable.	C. Check cable for pinched or broken wire condition and repair or replace as necessary.

Trouble	Probable Cause	Remedy
ALL FAULT MESSAGE NOT OPERATING (cont'd)	D. Master circuit board not operating.	D. Replace master circuit board.
	E. Fault message display module not operating properly.	E. Replace fault message display module.
"CO ₂ OUT" FAULT MESSAGE GOES ON DURING OPERATION.	A. CO ₂ supply turned off or exhausted.	A. Open CO ₂ cylinder shutoff valve or replenish CO ₂ supply as instructed.
	B. Primary CO ₂ regulator set too low.	B. Adjust primary CO ₂ regulator as instructed.
	C. Inoperable CO ₂ pressure switch.	C. Replace CO ₂ pressure switch.
"H ₂ O OUT" FAULT MESSAGE GOES ON DURING OPERATION.	A. Water supply turned off or water pressure inadequate.	A. Turn on water supply or check water supply line pressure.
	B. Plugged water filter or water pump strainer screen.	B. Change water filter or clean water pump strainer screen as instructed.
	C. Inoperative water pressure switch.	C. Replace water pressure switch.
"SYRUP 1" OR "SYRUP 2" FAULT MESSAGE GOES ON DURING OPERATION.	A. Soft drink tank empty.	A. Replenish syrup supply as instructed.
"ERROR 1" OR "ERROR 2" FAULT MESSAGE GOES ON DURING OPERATION.	A. Error within Unit has developed interrupting normal operation.	A. Locate and correct error, then press "ERROR RESET" switch to restore normal operation.
FREEZE CYLINDER AUTOMATIC DEFROST CYCLE DOES NOT OPERATE.	A. Loose or broken electrical wires.	A. Repair electrical wires.
	B. Inoperable automatic defrost timer.	B. Replace master circuit board.
UNIT DOES NOT GO OFF AUTOMATIC DEFROST CYCLE.	A. Automatic defrost timer stuck in automatic defrost cycle.	A. Replace master circuit board.
MANUAL DEFROST CYCLE DOES NOT OPERATE WHEN "DEFROST" SWITCH IS PRESSED.	A. Flat cable not properly connected to control switch module or master circuit board.	A. Properly connect flat cable to control switch module or master circuit board.
	B. Flat cable connected between control switch module and master circuit board pinched and shorted out or broken wire in cable.	B. Check cable for pinched or broken wire condition and repair or replace as necessary.
	C. Inoperable "DEFROST" switch on control panel switch module.	C. Replace control panel switch module.
	D. Loose or broken wire.	D. Repair wire.

Trouble	Probable Cause	Remedy
MANUAL DEFROST CYCLE DOES NOT OPERATE WHEN "DEFROST" SWITCH IS PRESSED. (cont'd)	E. Master circuit board not operating properly.	E. Replace master circuit board.
DEFROST CYCLE DOES NOT CANCEL AFTER PRESSING "CANCEL DEFROST" SWITCH.	A. Flat cable not properly connected to control switch module or master circuit board.	A. Properly connect flat cable to control switch module or master circuit board.
	B. Flat cable connected between control switch module and master circuit board pinched and shorted out or broken wire in cable.	B. Check cable for pinched or broken wire condition and repair or replace as necessary.
	C. Inoperable "CANCEL DEFROST" switch on control panel switch module.	C. Replace control panel switch module.
	D. Master circuit board not operating properly.	D. Replace master circuit board.

TROUBLESHOOTING PRODUCT BLENDER TANKS AND CARBONATOR

CARBONATOR WATER PUMP MOTOR WILL NOT OPERATE.	A. No electrical power to Unit.	A. Connect electrical power to Unit. Check power source.
	B. "AUTO BLEND 1" or "AUTO BLEND 2" switches have not been pressed.	B. Press "AUTO BLEND 1" or "AUTO BLEND 2" switch.
	C. "H ₂ O OUT" fault message is on.	C. Restore water supply to Unit.
	D. "CO ₂ OUT" fault message is on.	D. Replenish CO ₂ supply as instructed.
	E. Loose or broken electrical wires.	E. Tighten connections or replace wires.
	F. Overheated water pump motor cut off by overload protector.	F. Check for proper line voltage. Check restricted pump discharge.
	G. Binding water pump (new or replacement pump only).	G. Remove water pump from motor. Rotate pump coupling shaft 180 degrees, then reinstall pump.
	H. Inoperative water pump and/or motor.	H. Replace pump and/or motor.
	I. Inoperative carbonated water tank level control switches.	I. Replace level control switches.
	J. Binding, damaged, or dirty carbonated water tank balance mechanism.	J. Clean, repair, or replace balance mechanism.
	K. Inoperative water pump and/or motor.	K. Replace water pump and/or motor.

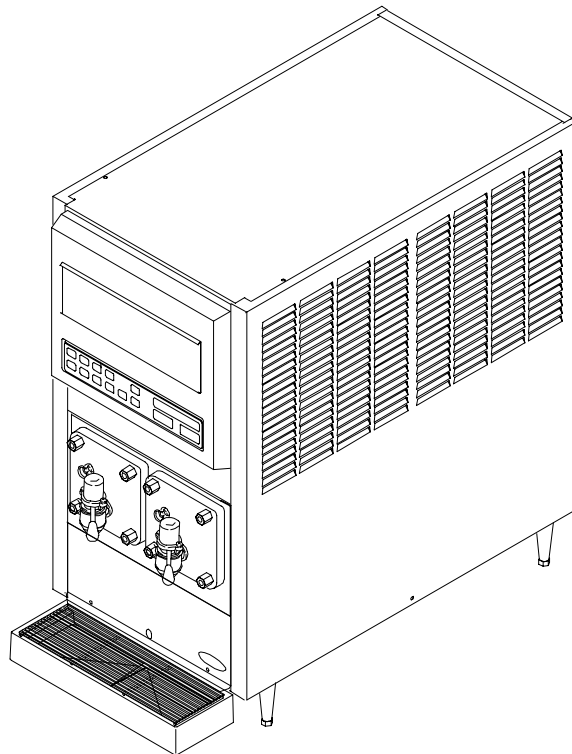
Trouble	Probable Cause	Remedy
CARBONATOR WATER PUMP WILL NOT SHUT OFF.	A. Binding, damaged, or dirty carbonated water tank balance mechanism.	A. Clean, repair, or replace balance mechanism.
ERRATIC CARBONATOR WATER PUMP CYCLING.	A. Insufficient water supply pressure. "H ₂ O OUT" fault message goes on and off intermittently and water pump cycles on and off during carbonator tank fill cycle.	A. Increase water inlet supply line pressure. Water inlet supply line must have large enough I.D.
	B. Water filter restricted.	B. Replace water filter.
TROUBLESHOOTING DISPENSED PRODUCT		
BRIX (WATER-TO-SYRUP) "RATIO" TOO LOW.	A. Quick disconnect not secure on soft drink tank.	A. Secure tank quick disconnect.
	B. Syrup flow regulator set too low.	B. Adjust BRIX of dispensed product as instructed.
	C. Water flow regulator set too high.	C. Water flow regulator must be set at 1.3 ± 0.05 oz/sec.
	D. Syrup flow regulators stuck.	D. Clean syrup flow regulators.
	E. Restriction in syrup line.	E. Sanitize Unit as instructed.
	F. Syrup Baume not in proper range.	F. Change syrup supply as instructed.
BRIX (WATER-TO-SYRUP) "RATIO" TOO HIGH.	A. Syrup flow regulators set too high.	A. Adjust BRIX of dispensed product as instructed.
	B. Water flow regulator set too low.	B. Water flow regulator must be set for 1.3 ± 0.05 oz/sec.
	C. Water flow regulator stuck.	C. Clean regulator.
	D. Syrup Baume not in proper range.	D. Change syrup supply as instructed.
	E. Restricted water filter.	E. Replace water filter.
IMPROPER PRODUCT DISPENSED.	A. Secondary CO ₂ regulators not properly adjusted.	A. Adjust secondary CO ₂ regulators as instructed.
	B. Dirty CO ₂ supply. CO ₂ must be clean and free of water, oil, and dirt. Water will not absorb dirty CO ₂ gas in same way as clean gas. This can also cause off-taste problems.	B. Replace CO ₂ supply as instructed.
PRODUCT WILL NOT DISPENSE OUT OF DISPENSING VALVE, IN ONLY SMALL AMOUNTS, OR ONLY LIQUID.	A. Dispensing valve has ice particles in it.	A. Open and close dispensing valve repeatedly. Defrost freeze cylinder as instructed. If necessary, check and adjust BRIX as instructed. Adjust viscosity of dispensed product as instructed.
	B. Cylinder freeze-up.	B. Refer to CYLINDER FREEZE-UP.
FREEZE CYLINDER DOES NOT REFILL AT ALL TIMES WHEN DISPENSING.	A. "AUTO BLEND 1" or "AUTO BLEND 2" switch not pressed.	A. Press "AUTO BLEND 1" or "AUTO BLEND 2" switch.
	B. Carbonator water pump not operating.	B. Check carbonator and restore to operation.

Trouble	Probable Cause	Remedy
FREEZE CYLINDER DOES NOT REFILL AT ALL TIMES WHEN DISPENSING. (cont'd)	C. Lines restricted.	C. Sanitize Unit as instructed.
FROZEN PRODUCT CONSISTENCY VARIES EXCESSIVELY.	A. Dispensed product BRIX varying because: Syrup and/or water flow regulator sticking. Primary CO ₂ regulator pressure insufficient.	a. Clean regulator(s). b. Primary CO ₂ regulator must be adjusted from 80 to 100-psi.
	B. Cylinder freeze-up causing ice formation in center of cylinder and liquid product channels around ice formation.	B. Refer to CYLINDER FREEZE-UP.
	NOTE: DEFROST AFFECTED FREEZE CYLINDER AS INSTRUCTED.	
CYLINDER FREEZE-UP.	A. Dispensed product BRIX too low.	A. Refer to BRIX (Water-to-Syrup) "Ratio" too low.
	B. Viscosity of dispensed product not properly adjusted.	B. Adjust dispensed product viscosity as instructed.

FCB OVERCOUNTER POST-MIX DISPENSER WITH V3+FEATURES (R-404A REFRIGERANT)

UNIT PART NUMBERS:

416136xxxx
496136xxxx



ILLUSTRATED PARTS BREAKDOWN

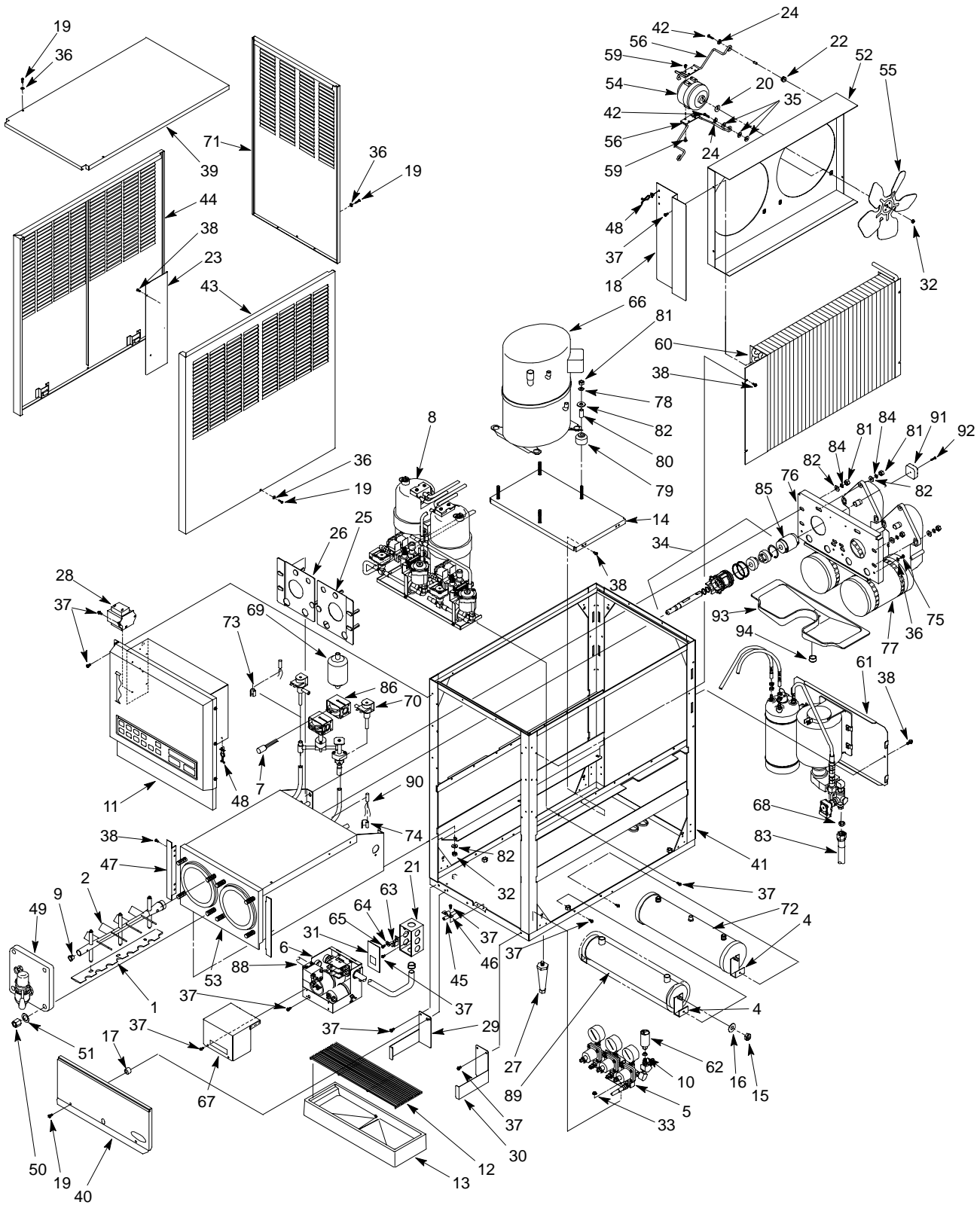


FIGURE 17. OVERCOUNTER FCB POST-MIX DISPENSER

FCB POST-MIX DISPENSER

Item No.	Part No.	Name
1	325457000	Blade, Scraper
2	3432	Body, Beater
3	326002000	Tube Kit, Drain Tube (Not Shown; See Figure 39)
4	2613	Bracket, Receiver and Accumulator
5		Secondary CO ₂ Regulator Components (See Figure 18)
6		Control Box Components (See Figure 19)
7	1317	Filter, Solenoid
8		Blender and Tubing Components (See Figure 25)
9	2392	Bushing, Flange, .501 I.D.
10	178025100	Tapered Gasket, White
11		Control Box and Display Panel Components (See Figure 34)
12	317660000	Cup Rest
13	317659029	Drip Tray
14	2623	Base, Compressor
15	150777000	Hex Nut, 3/8-16
16	186147000	Washer, .375 I.D.
17	3247	Spacer, Splash Panel
18	3038	Shield, Wire
19	3108	Thread Cutting Screw, Phil Pan Hd., No. 10-32 By 1-In. Long
20	187394000	Silencer, Fan
21	343606000	Electrical Box
22	321484000	Grommet, Condenser Fan Motor Bracket
23	3173	Shield, Side
24	120227000	Washer, .194 I.D.
25	3234	Plate, Beater Motor, Left-Side (Klauber)
	3236	Plate, Beater Motor, Left-Side (Emerson)
26	3235	Plate, Beater Motor, Right-Side (Klauber)
	3237	Plate, Beater Motor, Right-Side (Emerson)
27	3184	Leg
28	319739000	Transformer, 240V. 50/60Hz
29	2738	Bracket, Drip Tray, Left-Side
30	2739	Bracket, Drip Tray, Right-Side
31	313102000	Cover, Electrical Box
32	189429000	Hex Nut, 1/4-20
33	200498003	Hex Nut, No. 8-32
34	3193	Drive Shaft/Seal Ass'y (See Figure 42)

Item No.	Part No.	Name
35	320539000	Washer, .191 I.D.
36	343304000	Washer, .204 I.D.
37	319941000	Thread Rolling Screw, Hex Washer Hd., No. 8-32 By 3/8-In. Long
38	325282000	Machine Screw, Hex Washer Hd., No. 8-18 By 1/2-In. Long
39	2685	Panel, Top
	3104	Panel, Top, Stainless Steel
40	3221	Panel, Splash
41	2604	Frame
42	186770000	Machine Screw, Phil Rd. Hd., No. 10-24 By 5/8-In. Long
43	2671	Panel, Side, Right-Side
	3102	Panel, Side, Right-Side, Stainless Steel
44	2670	Panel, Side, Left-Side
	3101	Panel, Side, Left-Side, Stainless Steel
45	320754000	Tube, Drain, 2-1/4-In. Long, Stainless Steel
46	320776000	Strap, Tube
47	325701000	Extension, Foam Pack
48	0831	Retainer, Syrup Lines
49	326106000	Door Ass'y, Freeze Cylinder (See Figure 35)
50	320553001	Hex Nut, 7/16-14
51	320916000	Washer, .450 I.D.
52	2621	Shroud, Condenser
53	3409	Foam Pack
54	309316000	Motor, Fan, 230V 60Hz 35W (Domestic)
	300835000	Motor, Fan, 230V 50Hz 35W (Export)
55	3113	Fan, 5-Blade
56	2944	Bracket, Fan Motor
57	560001286	Wire Harness, Input (Not Shown)
58	560001288	Wire Harness, Output (Not Shown)
59	186154000	Machine Screw, Phil Pan Hd., No. 8-36 By 3/8-In. Long
60	2580	Condenser Coil
61		Carbonator Components (See Figure 37)
62	325776000	Pressure Switch, CO ₂
63	325644000	Lug, Ground
64	325145000	Washer, .205 I.D.

FCB POST-MIX DISPENSER (cont'd)

Item No.	Part No.	Name
65	325069000	Machine Screw, SI Truss Hd., No. 10-24 By 1/2-In. Long
66	3898	Compressor Kit, 2HP 230V 60Hz (Domestic)
	3899	Compressor Kit, 2HP 230V 50Hz (Export)
67	3832	Cover, Control Box
68	311304000	Tapered Gasket, Black
69	3557	Dryer
70	326071000	Expansion Valve, Refrigeration
71	2672	Panel, Back
	3103	Panel, Back, Stainless Steel
72	2582	Receiver
73	309338011	Clip, Sensor, Expansion Valve
74	309338012	Clip, Sensor, Thermostat
75	320940000	Machine Screw, Hex Washer Hd., No. 10-16 By 5/8-In. Long
76	3238	Bracket, Beater Motor
77	324120000	Motor, 1/4H.P. 220V 60Hz (Klauber)
	2472	Motor, 1/4H.P. 220/240V 50Hz (Klauber)
	3471	Motor, 1/8H.P. 208/240V 50/60Hz (Emerson)

Item No.	Part No.	Name
78	186148000	Washer, .319 I.D.
79	3609	Grommet, Compressor
80	3608	Spacer, Compressor
81	186146000	Hex Nut, 5/16-18
82	318418000	Washer, .312 I.D.
83	176272396	Tube Ass'y, .375 I.D. By 96-In. Long, Water Inlet (See Figure 38)
84	325673000	Washer, .384 I.D.
85	3787	Coupling
86	325579000	Solenoid, 208/240V 50/60Hz
87	560001290	Wire Harness, Hot Gas (Not Shown)
88	309524011	Service Cord, Compressor
89	2581	Accumulator
90	326073012	Sensor, Thermostat
91	324171000	Relay, 230V 50/60Hz 10Amp (Klauber Only)
92	320106000	Thread Rolling Screw, Phil Pan Hd., No. 6-32 By 1-In. Long (Klauber Only)
93	3879	Cover, Motor
94	300200000	Clamp

Item No.	Part No.	Name
		Secondary CO ₂ Regulator Components
1	324218000	Tube, .156 I.D. By 3-In. Long
2	324219000	Tube, .156 I.D. By 1-In. Long
3	324220000	Tube, .156 I.D. By 11-In. Long
4	317528000	Fitting, Tee, 1/8-Barb
5	300393000	Fitting, Tee, 1/8-Barb By 3/8-Barb
6	178025100	Tapered Gasket, White
7	187462000	Tube, .312 I.D. By 20-In. Long
8	321811000	Hex Nut, No. 10-32
9	176193000	Fitting, 7/16-20
10	3049	Secondary Regulator Ass'y (See Figure 20)
11	2684	Bracket, Regulator
12	174061196	Tube Ass'y, Secondary CO ₂ Regulator (See Figure 21)
13	2827	Tube Ass'y, Secondary CO ₂ Regulator (See Figure 22)
14	324221000	Tube, .312 I.D. By 6-In. Long

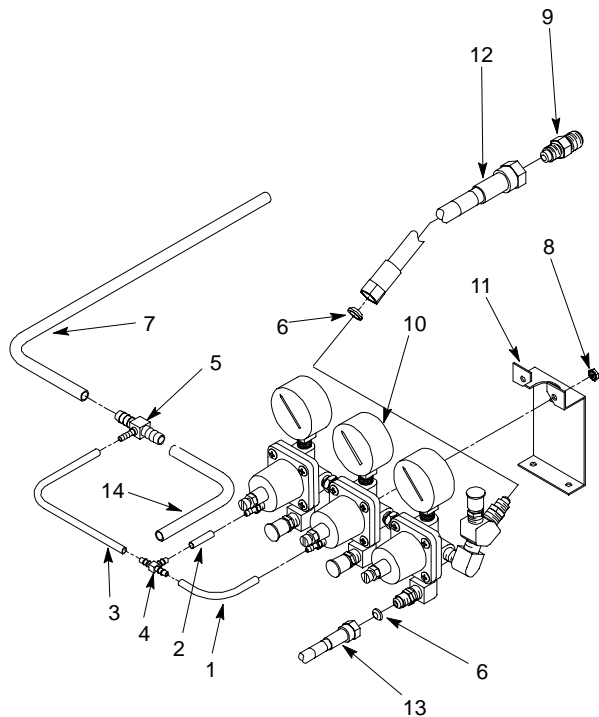


FIGURE 18. SECONDARY CO₂ REGULATOR COMPONENTS

Item No.	Part No.	Name
		Control Box Components
1	3310	Jump Cord, Control Box to Electrical Box
2	325192000	Snap Bushing, 1.093 Dia.
3	40285	Relay, Start
4	40284	Capacitor, Start
5	325518000	Capacitor, Run (Domestic)
	3617	Capacitor, Run (Export)
6	320620000	Relay
7	187552000	Machine Screw, Phil Rd. Hd., No. 8-32 By 1/4-In. Long
8	3831	Control Box, Lower
9	319941000	Thread Rolling Screw, Hex Washer Hd., No. 8-32 By 3/8-In. long
10	3595	Strap, Capacitor

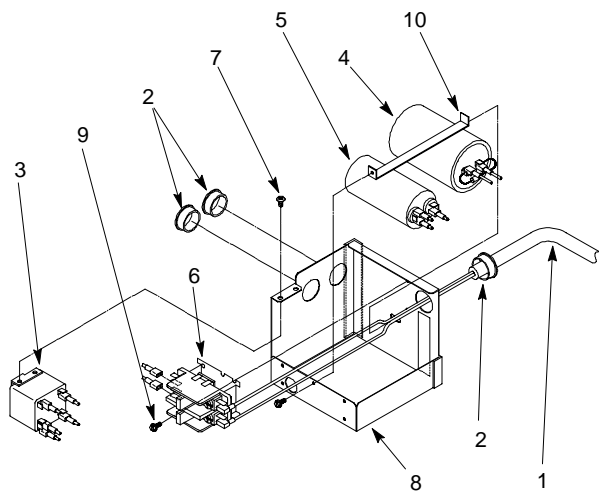


FIGURE 19. CONTROL BOX COMPONENTS

Item No.	Part No.	Name
	3049	Secondary CO ₂ Regulator Ass'y
1	183287000	Gage, 60-PSI
2	183449000	Regulator Ass'y, 30-PSI (See Figure 23)
3	183412000	Regulator Ass'y, 100-PSI (See Figure 23)
4	183286000	Gage, 100-PSI
5	183047000	Fitting, 1/4-NPT
6	130066000	Fitting, Plug, 1/4-NPT
7	183061000	Fitting, 1/4-NPT By 7/16-20
8	183301100	Check Valve Ass'y (See Figure 24)
9	183068000	Fitting, Elbow, 1/4-NPT
10	324211000	Fitting, 5/32-Barb By 1/16-NPT
11	183045000	Fitting, 1/4-MPT By 1/4-FPT

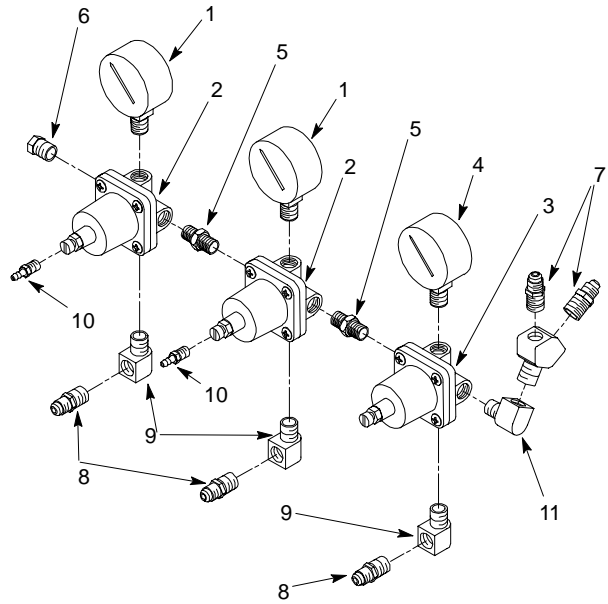


FIGURE 20. SECONDARY CO₂ REGULATOR ASS'Y

Item No.	Part No.	Name
	174061196	Tube Ass'y, Secondary CO ₂ Regulator
1	174478000	Tube, .265 I.D. By 96-In. Long
2	176000000	Ferrule, For .465 O.D. Tube
3	770104000	Nipple, For .265 I.D. Tube
4	176017000	Swivel Nut, 7/16-20

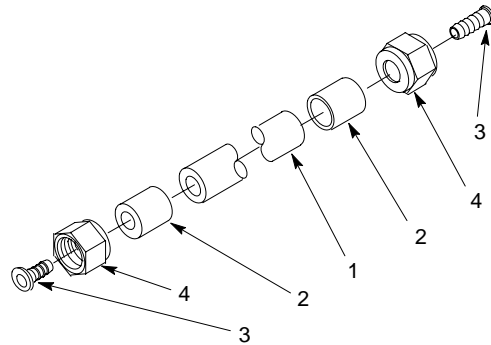


FIGURE 21. TUBE ASSEMBLY

Item No.	Part No.	Name
	2827	Tube Ass'y, Secondary CO ₂ Regulator
	309379000	Tube Ass'y, Pump to Carb
1	174103001	Tube, .250 I.D. By 60-In. Long
	174103001	Tube, .250 I.D. By 22-In. Long
2	176001000	Ferrule, For .425 O.D. Tube
3	770104000	Nipple, For .250 I.D. Tube
4	176017000	Swivel Nut, 7/16-20

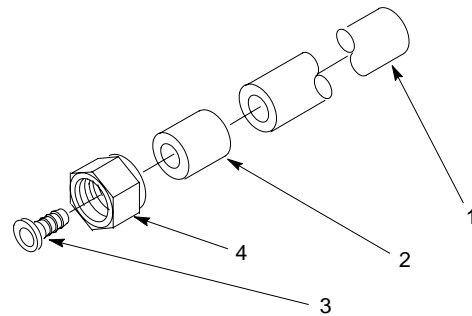
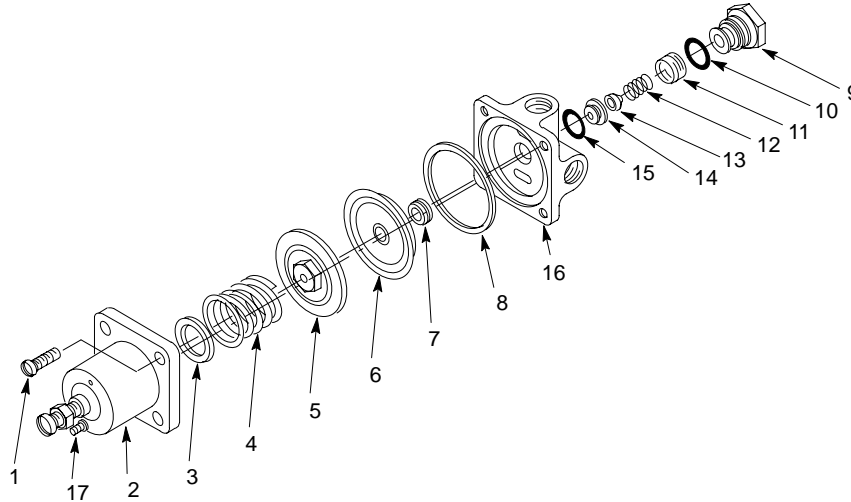


FIGURE 22. TUBE ASSEMBLY



Item No.	Part No.	Name
	183449000	CO ₂ Regulator Ass'y, 60-PSI, Orange (Includes 1-16)
	183412000	CO ₂ Regulator Ass'y, 100-PSI, Gold (Includes 1-16)
1	183040000	Machine Screw, Phil Fill Hd., No. 10-32 By 7/8-In. Long
2	183233059	Cover Kit (Includes Nonremovable Adjusting Screw)
3	183021000	Retainer, Spring
4	315424000	Adjusting Spring, 60-PSI
	183020000	Adjusting Spring, 100-PSI
5	130174000	Diaphragm Ass'y
6	183011047	Baffle

Item No.	Part No.	Name
7	130167000	Guide
8	183010000	Gasket
9	183009007	Retainer, Seat
10	183008000	O-Ring, .489 I.D. By .070 C.S.
11	183007000	Filter Screen
12	183006000	Spring, Poppet
13	130170000	Valve, Poppet
14	130168000	Reducing Valve Seat
15	183003000	Gasket, Seat
16	183001015	Body
17	324211000	Fitting, 1/16-NPT By 5/32-Barb

FIGURE 23. CO₂ REGULATOR ASSEMBLY

Item No.	Part No.	Name
	183301001	Check Valve Ass'y with Adapter
1	183300001	Adapter
2	183320100	Check Valve Ass'y (Includes 3-7)
3	183294000	Quad Ring, .145 I.D. By .070 C.S.
4	183296000	Ball
5	183297000	Spring
6	183298000	Retainer
7	183295100	Body

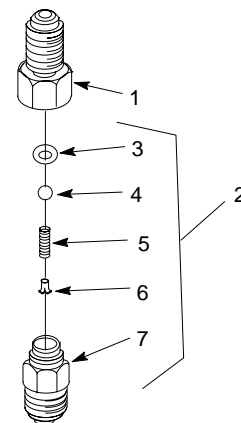


FIGURE 24. CHECK VALVE ASSEMBLY

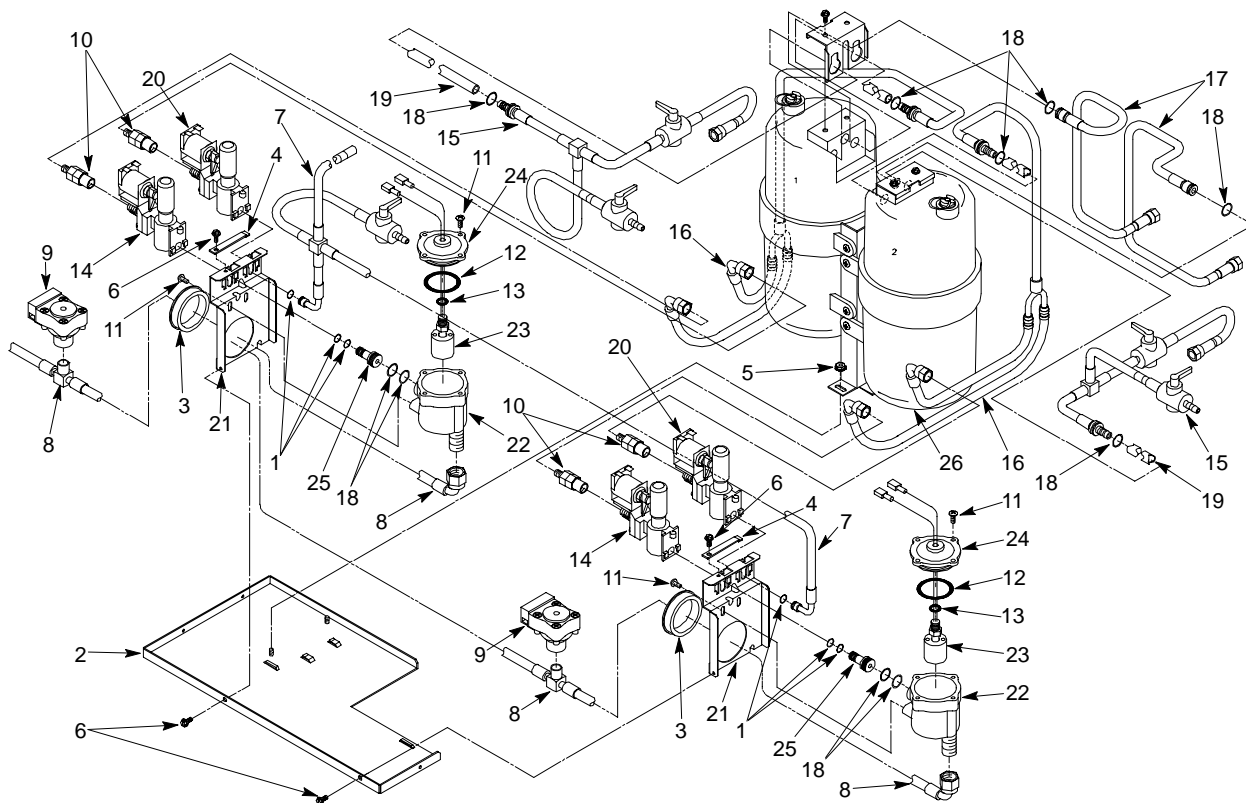


FIGURE 25. BLENDER AND TUBING COMPONENTS

Item No.	Part No.	Name
		Blender and Tubing Components
1	31701500	O-Ring, .239 I.D. By .070 C.S.
2	2657	Base
3	316963000	Bushing, 2-In. Dia.
4	2469	Retainer, Module
5	200498003	Hex Nut, No. 8-32
6	319941000	Thread Rolling Screw, Hex Washer Hd., No. 8-32 By 3/8-In. Long
7	2780	Tube Ass'y, Carb. Water Outlet (See Figure 26)
8	560000855	Tube Ass'y, Syrup Source to Syrup Solenoid (See Figure 27)
9	5081	Soldout Switch, Syrup
10	311764001	Check Valve Ass'y (See Figure 31)
11	343487000	Machine Screw, Phil Pan Hd., No. 8-32 By 1/2-In. Long
12	315925000	O-Ring, 1.609 I.D. By .139 C.S.
13	315931000	O-Ring, .364 I.D. By .070 C.S.

Item No.	Part No.	Name
14	2487	Solenoid Valve Ass'y, Syrup (See Figure 32)
15	2781	Tube Ass'y, Product, Blender to Freeze Cylinder (See Figure 28)
16	2779	Tube Ass'y, Water and Syrup Solenoid to Blender (See Figure 29)
17	326098000	Tube Ass'y, CO ₂ Regulator to Blender (See Figure 30)
18	183008000	O-Ring, .489 I.D. By .070 C.S.
19	325576000	Tube, Syphon, 12-In. Long
20	2486	Solenoid Valve Ass'y, Water (See Figure 32)
21	2680	Bracket, Module
22	315915000	Body, Float Switch
23	325170000	Switch, Float
24	315916000	Cover, Float Switch
25	2462	Fitting, Module
26		Blender Components (See Figure 33)

Item No.	Part No.	Name
	2780	Tube Ass'y, Carb Water Outlet
1	77060200	Fitting, Cross, 1/4-Barb
2	77050100	Fitting, Elbow, Valve
3	325012000	Shut-Off Valve
4	174103000	Tube, .250 I.D. By 3-In. Long
	174103000	Tube, .250 I.D. By 10-In. Long
	174103000	Tube, .250 I.D. By 22-In. Long
5	176001000	Ferrule, .425 O.D. Tube
6	174103001	Tube, .250 I.D. By 40-In. Long

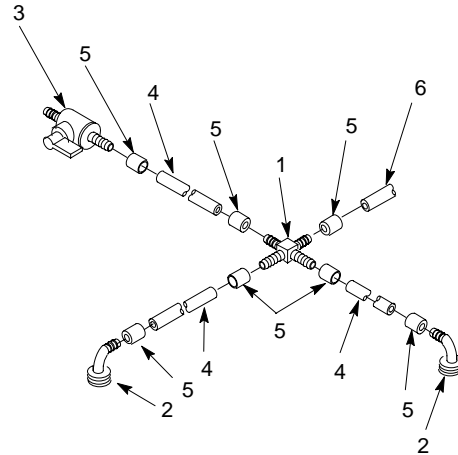


FIGURE 26. TUBING ASSEMBLY (CARB WATER)

Item No.	Part No.	Name
	560000855	Tube Ass'y, Syrup
1	176017000	Nut, Swivel, 7/16-20
2	770104000	Nipple, .265 I.D. Tube
3	176000000	Ferrule, .500 O.D. Tube
4	174478000	Tube, .265 I.D. By 92-In. Long
	174478000	Tube, .265 I.D. By 3-In. Long
5	5083	Fitting, Tee, Barb
6	770460000	Fitting, Elbow, Swivel, 5/8-18

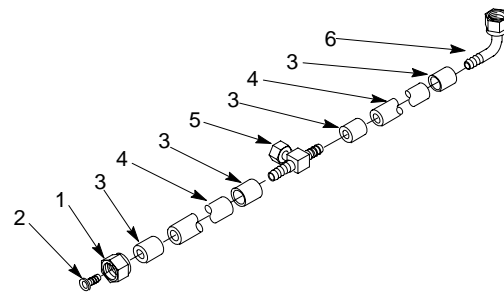


FIGURE 27. TUBING ASSEMBLY (SYRUP)

Item No.	Part No.	Name
	2781	Tube Ass'y, Blender to Freeze Cylinder
1	174103000	Tube, .250 I.D. By 3-In. Long
	174103000	Tube, .250 I.D. By 22-In. Long
	174103000	Tube, .250 I.D. By 38-In. Long
2	176001000	Ferrule, For .375 O.D. Tube
3	176016000	Nut, Swivel, 1/2-16
4	770204000	Nipple, For .250 I.D. Tube
5	1561	Connector, Barb
6	325012000	Shut-Off Valve
7	770601000	Fitting, Tee, 1/4-Barb

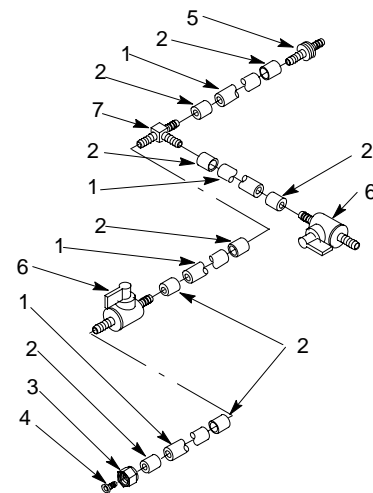


FIGURE 28. TUBING ASSEMBLY (BLENDER TO FREEZE CYLINDER)

Item No.	Part No.	Name
	2779	Tube Ass'y, Water Solenoid to Blender
1	311742000	Connector, Barb
2	176001000	Ferrule, .375 O.D. Tube
3	174103000	Tube, .250 I.D. By 11-In. Long
4	309854000	Clamp, .400 O.D. Tube
5	779005000	Turnaround, Barb
6	77040100	Fitting, Elbow, Swivel, 7/16-20

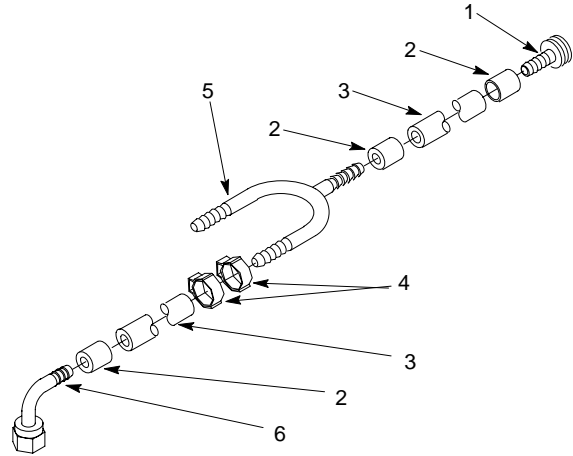


FIGURE 29. TUBING ASSEMBLY (WATER SOLENOID TO BLENDER)

Item No.	Part No.	Name
	326098000	Tube Ass'y, Regulator to Blender
1	174103000	Tube, .250 I.D. 48-In. Long
2	176001000	Ferrule, .375 O.D. Tube
3	176017000	Nut, Swivel, 7/16-20
4	770104000	Nipple, .250 I.D. Tube
5	311741000	Connector, Barb

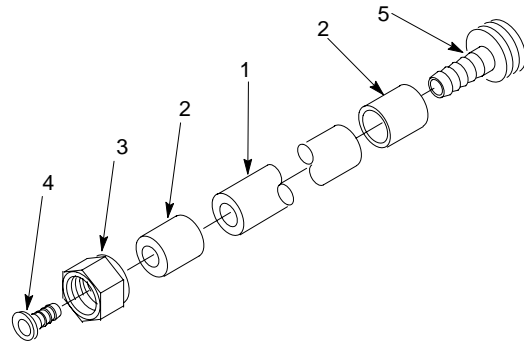


FIGURE 30. TUBING ASSEMBLY (REGULATOR TO BLENDER)

Item No.	Part No.	Name
	311764001	Single Check Valve Ass'y
1	317965000	Retainer
2	312196000	Spring
3	312419000	Ball
4	312415000	Washer, .300 I.D.
5	312418000	Quad Ring, .329 I.D.
6	317963000	Receptacle

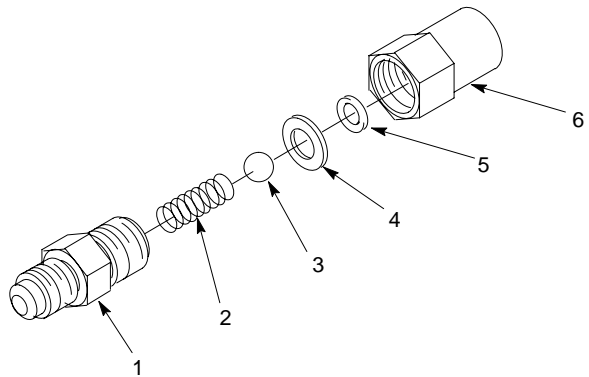


FIGURE 31. DOUBLE CHECK VALVE ASSEMBLY

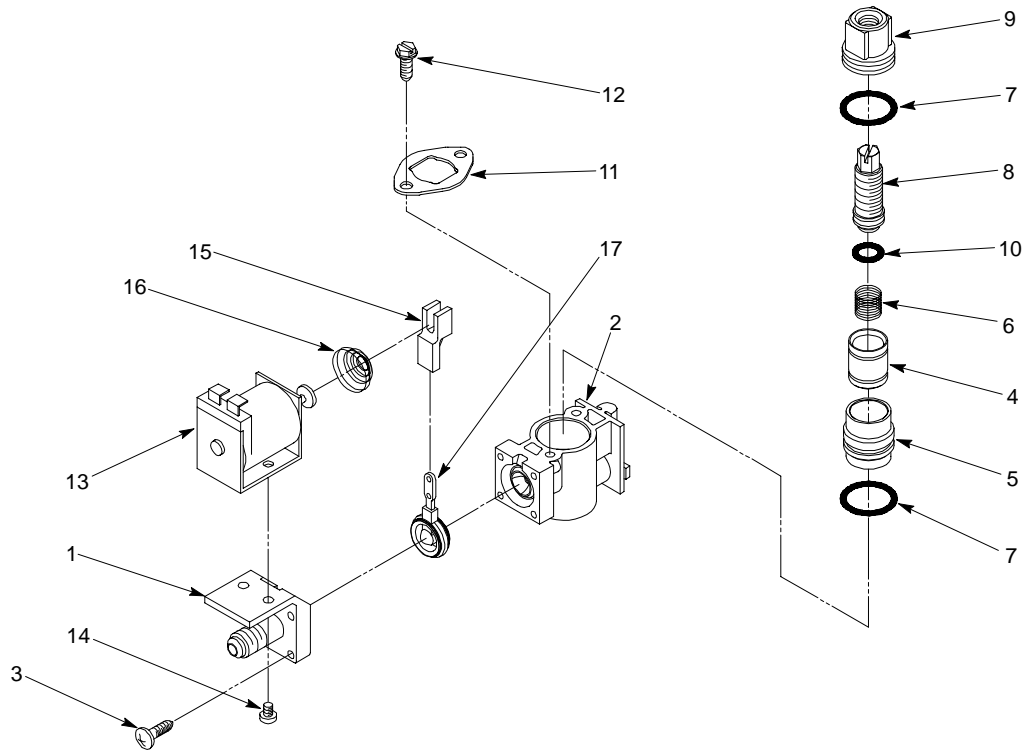


FIGURE 32. SOLENOID VALVE ASSEMBLY

Item No.	Part No.	Name
	2486	Solenoid Valve Ass'y, Water
	2487	Solenoid Valve Ass'y, Syrup
1	2356	Block, Valve
2	1319	Body, Valve
3	0837	Thread Rolling Screw, Phil Pan Hd., No. 6-32 By 5/8-In. Long
4	310754011	Piston, Water
	310480011	Piston, Syrup
5	317431011	Cylinder
6	310482000	Spring
7	317816000	O-Ring, .676 I.D. By .070 C.S.

Item No.	Part No.	Name
8	310632001	Adjusting Screw
9	1318	Flow Control, Top
10	180025000	O-Ring, .364 I.D. By .070 C.S.
11	1545	Retainer, Flow Control
12	1081	Thread Cutting Screw, Hex Washer Hd., No. 8-16 By 1/2-In. Long
13	0024	Solenoid, 24V.
14	187188000	Machine Screw, Phil Pan Hd., No. 8-32 By 1/4-In. Long
15	317579000	Arm, Solenoid
16	0854	Spring
17	311355000	Inlet Valve

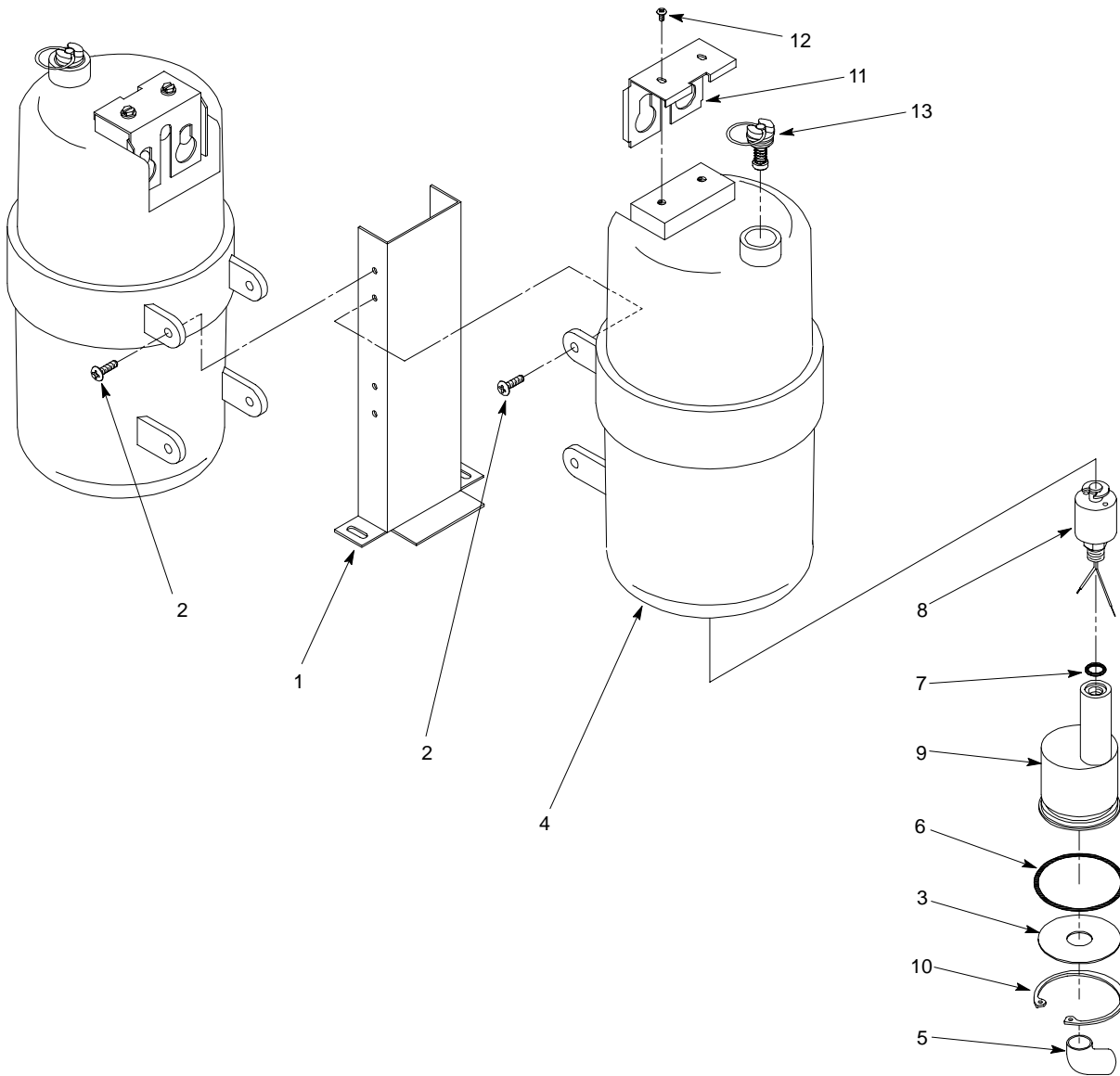


FIGURE 33. BLENDER COMPONENTS

Item No.	Part No.	Name
		Blender Components
1	2625	Support, Blender
2	188206000	Thread Rolling Screw, Phil Truss Hd., No. 10-24 By 3/4-In. Long
3	324116000	Washer, .625 I.D.
4	324047000	Tank, Blender
5	186570000	Strain Relief
6	315925000	O-Ring, 1.609 I.D. By .139 C.S.

Item No.	Part No.	Name
7	315931000	O-Ring, .364 I.D. By .070 C.S.
8	325288000	Float Switch Ass'y
9	324048000	Holder, Float Switch
10	324115000	Retaining Ring
11	311743000	Retainer, Tube
12	311751000	Machine Screw, SI Hex Washer Hd., No. 4-40 By 1/4-In. Long
13	326105000	Relief Valve Ass'y

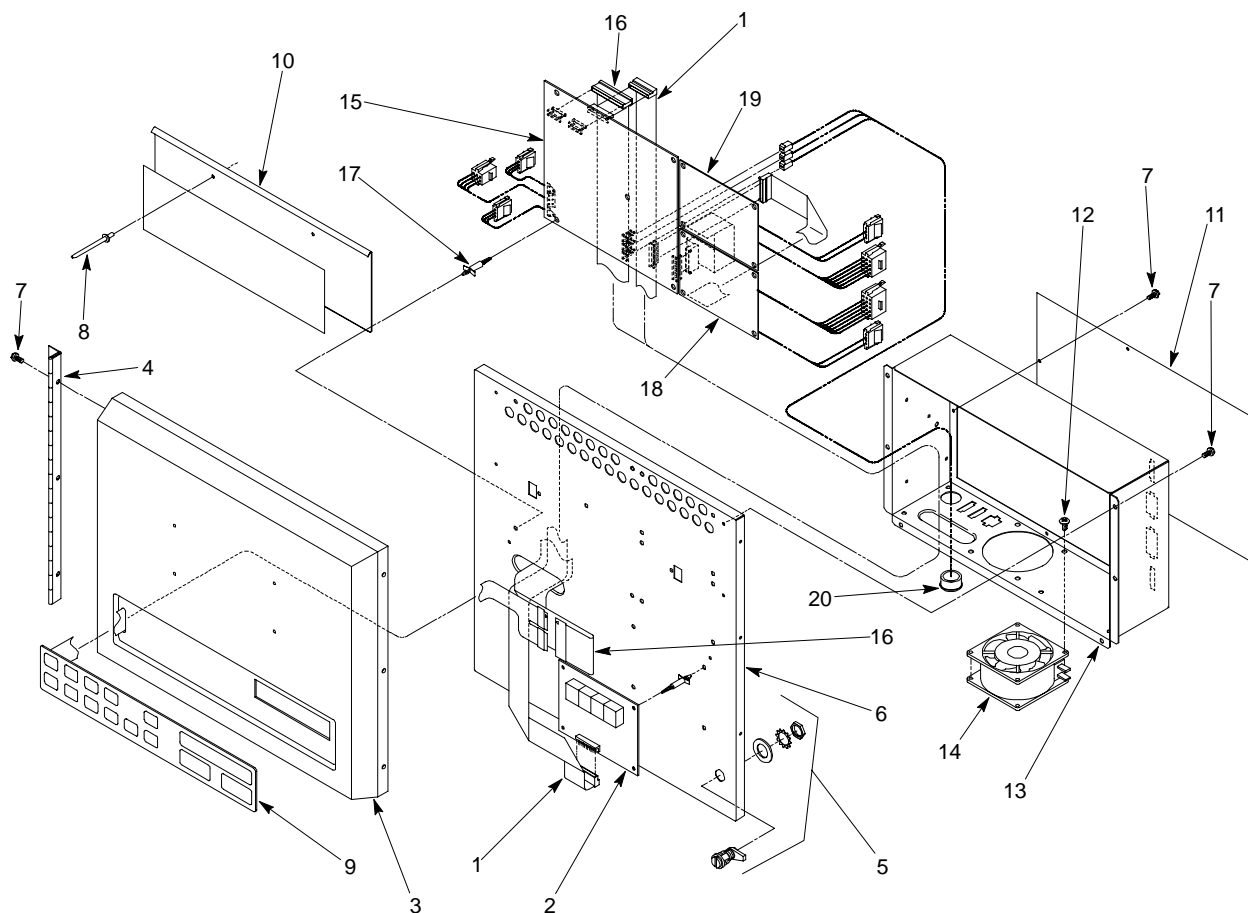


FIGURE 34. CONTROL BOX AND DISPLAY PANEL COMPONENTS

Item No.	Part No.	Name
		Control Box and Display Panel Components
1	326079000	Cable, Ribbon
2	326078000	P.C. Board, Display
3	2763	Housing, Display
4	2897	Hinge, Display
5	2895	Latch, Display
6	2704	Panel, Back, Display
7	319941000	Thread Rolling Screw, Hex Washer Hd., No. 8-32 By 3/8-In. Long
8	189955000	Rivet
9	325962040	Switch, Touch

Item No.	Part No.	Name
10	325981069	Holder, Flavor Tab
11	2716	Cover, Control Box
12	312251000	Thread Rolling Screw, Phil Pan Hd., No. 10-24 By 3/8-In. Long
13	2651	Control Box
14	0150	Fan, Cage, 230V 9W
15	324136000	P.C. Board, Main
16	325998000	Cable, Ribbon
17	325925000	Support, P.C. Board
18	326076000	P.C. Board, Motor No. 1
19	326077000	P.C. Board, Motor No. 2
20	320389000	Bushing, .875 Dia.
21	560001291	Wire Harness (Not Shown)

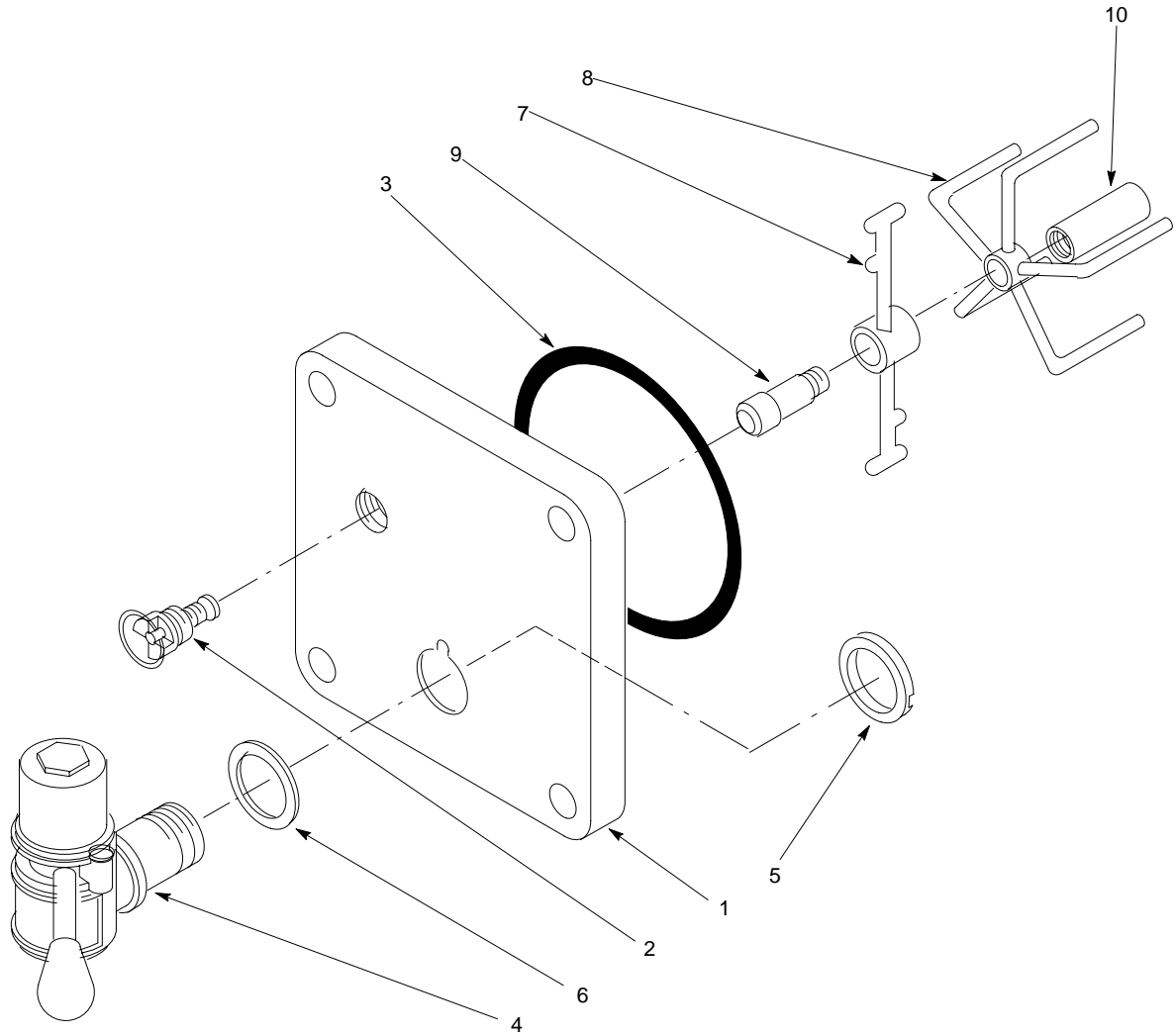


FIGURE 35. FACEPLATE ASSEMBLY

Item No.	Part No.	Name
	326106000	Door, Freeze Cylinder Ass'y
1	325918000	Door, Freeze Cylinder
2	325954088	Relief Valve Ass'y
3	320678000	O-Ring, 4.60 I.D. By .210 C.S.
4	1557	Valve Head Ass'y (See Figure 36)

Item No.	Part No.	Name
5	321652000	Shank Nut
6	325936000	Spacer
7	321269001	Spinner
8	322441000	Sensor
9	2361	Shaft
10	2358	Pin, Beater Bar

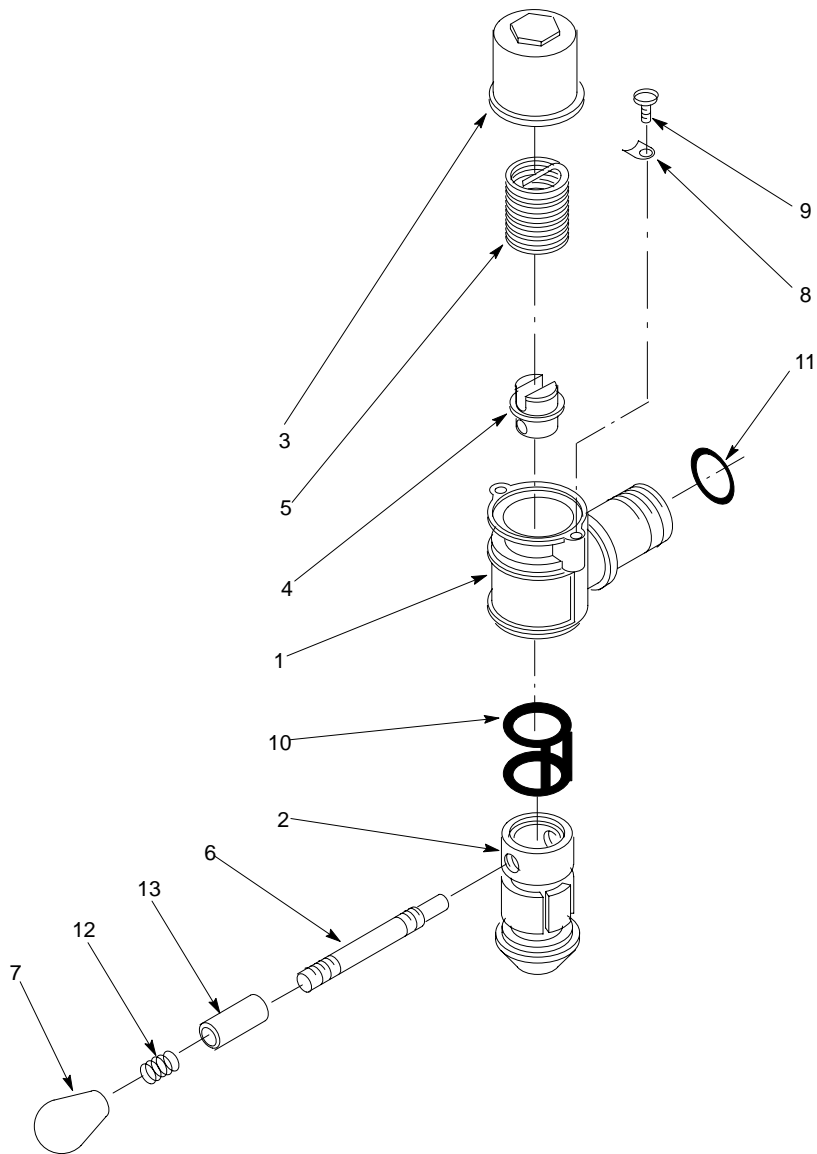


FIGURE 36. DISPENSING VALVE ASSEMBLY

Item No.	Part No.	Name
	1557	Dispensing Valve Ass'y
1	1556	Body and Shank
2	1554	Valve
3	1576	Housing
4	1575	Fitting
5	325305000	Spring
6	321651000	Lever, Valve
7	1555	Knob

Item No.	Part No.	Name
8	325647000	Plate
9	317784000	Thread Cutting Screw, Phil Truss Hd., Stainless Steel, No. 8-32 By 3/8-In. long
10	2818	O-Ring, Caged, .562 I.D. By .210 C.S.
11	321653000	O-Ring, .862 I.D. By .103 C.S.
12	1544	Spring
13	1543	Shaft Release

Item No.	Part No.	Name
		Carbonator Components
1	2682	Bracket, Motor
2	320767000	Machine Screw, Phil Pan Hd., No. 10-24 By 3/8-In. Long
3	309854000	Clamp, .409 O.D. Tube
4	326136000	Carbonator Tank Ass'y (See Figure 40)
5	3159	Switch, Pressure
6	2833	Pump and Motor Ass'y, Domestic (See Figure 41)
	2814	Pump and Motor Ass'y, Export (See Figure 41)
7	318976000	Machine Screw, SI Hex Washer Hd., 1/4-20 By 1/2-In. Long
8	311855000	J-Nut, 1/4-20
9	317974000	Deflector, Relief Valve
10	309379000	Tube Ass'y (See Figure 22)

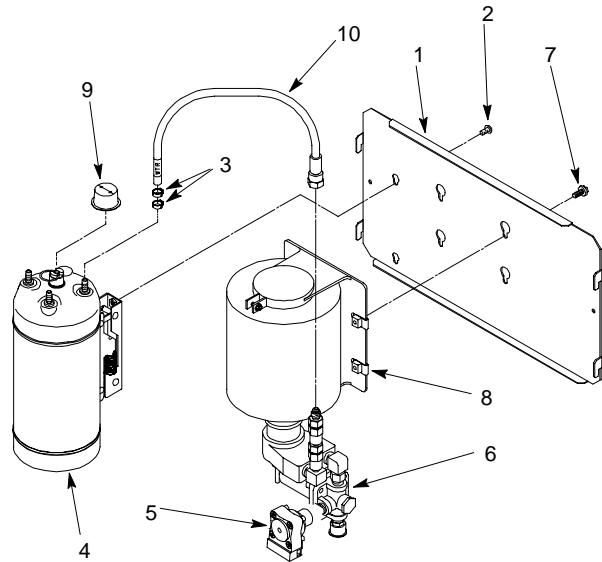


FIGURE 37. CARBONATOR COMPONENTS

Item No.	Part No.	Name
	176272396	Tube Ass'y, .375 I.D. By 96-In. Long
1	174292000	Tube, .375 I.D. By 96-In. Long
2	176204000	Ferrule, .640 O.D. Tube
3	176205000	Nipple, .375 I.D. Tube
4	311242000	Nut, Swivel, 5/8-18

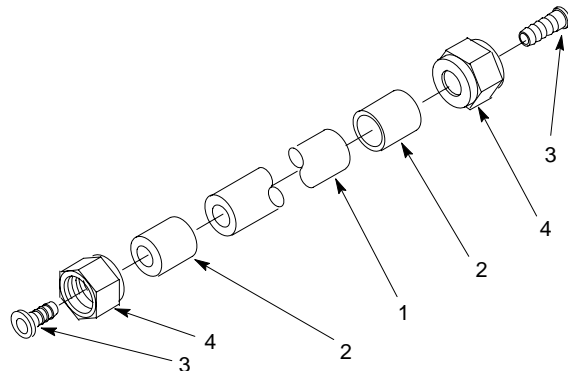


FIGURE 38. TUBING ASSEMBLY

Item No.	Part No.	Name
	326002000	Drain Kit, Drip Tray
1	170423000	Hex Nut, 5/8-32
2	151281000	Washer, .640 I.D.
3	140133000	Clamp, .687 O.D.
4	170413000	Fitting,
5	315865	Tube, .625 I.D. By 75-In. Long

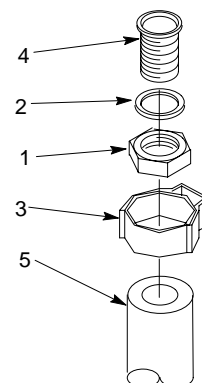


FIGURE 39. DRIP TRAY DRAIN KIT

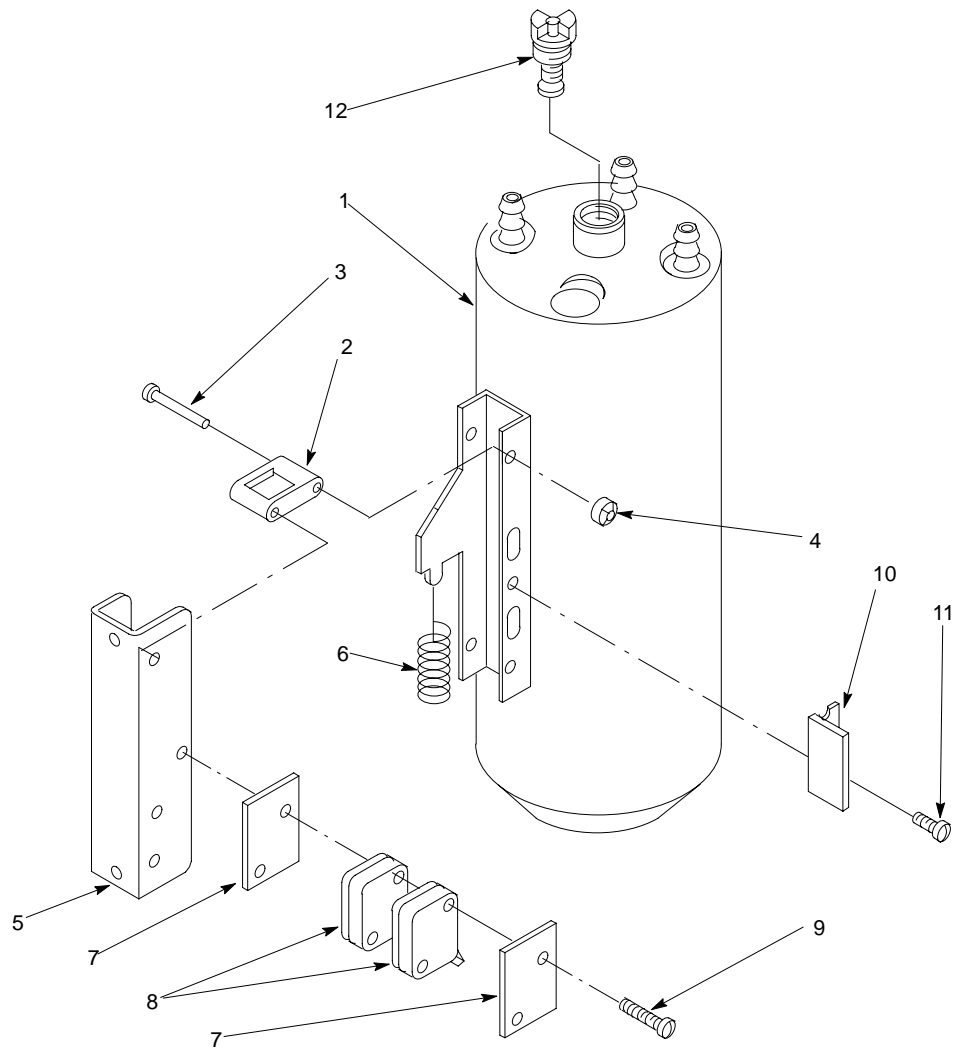


FIGURE 40. CARBONATOR TANK AND LINKAGE ASSEMBLY

Item No.	Part No.	Name
	326136000	Carbonator Tank and Linkage Ass'y
1	326135000	Tank, Carbonator
2	317746000	Link, Pivot
3	317772000	Pin
4	318036000	Push-on Nut
5	317747000	Pivot Housing
6	317752000	Spring

Item No.	Part No.	Name
7	318037000	Insulation, Switch
8	317771000	Level Control Switch
9	315961000	Machine Screw, Sl. Rd. Hd., No. 4-40 By 1-1/8-In. Long
10	318123000	Switch, Actuator
11	342663000	Thread Cutting Screw, Phil Pan Hd., Sems, No. 8-32 By 3/8-In. Long
12	318362000	Relief Valve

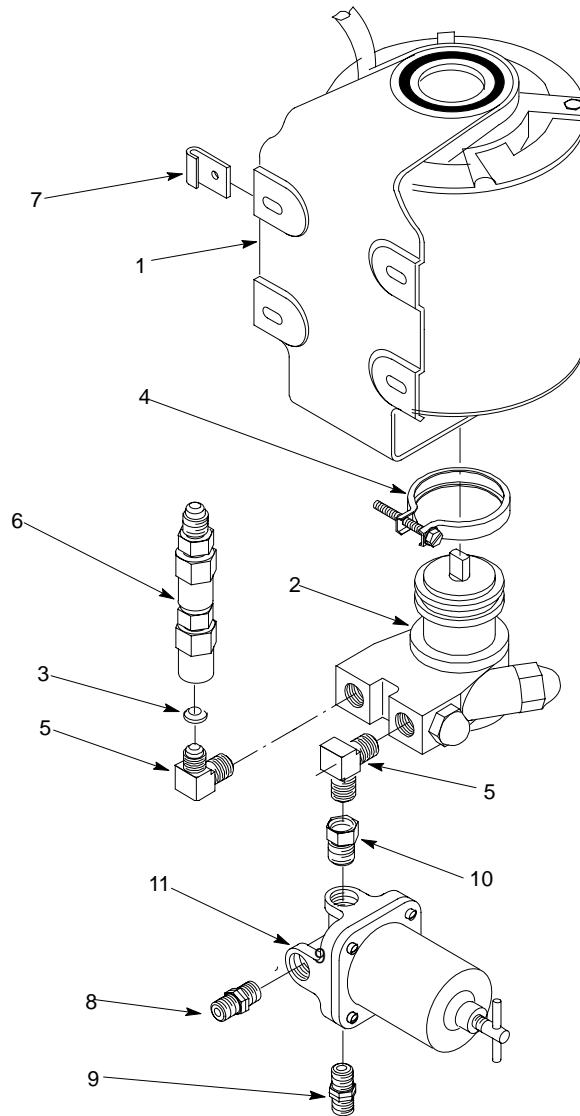


FIGURE 41. PUMP AND MOTOR ASS'Y

Item No.	Part No.	Name
	2833	Pump and Motor Ass'y, 230/220V. 60/50HZ (Domestic)
	2814	Pump and Motor Ass'y, 230V. 50HZ (Export)
1	320626000	Motor, 230/220V. 60/50HZ (Domestic)
	199020000	Motor, 230V 50HZ (Export)
2	312996000	Pump, Water, 90GPH
3	178025100	Tapered Gasket, White
4	187483000	Clamp, Pump to Motor

Item No.	Part No.	Name
5	187502000	Fitting, Elbow, 3/8-MPT By 7/16-20
6	311765001	Double Check Valve Ass'y (See Figure 31)
7	311855000	J-Nut, 1/4-20
8	183047000	Fitting, 1/4-NPT
9	312062000	Fitting, 1/4-NPT By 5/8-18
10	320640000	Fitting, 1/4-NPT By 7/16-20
11	0784	Regulator, Water Pressure

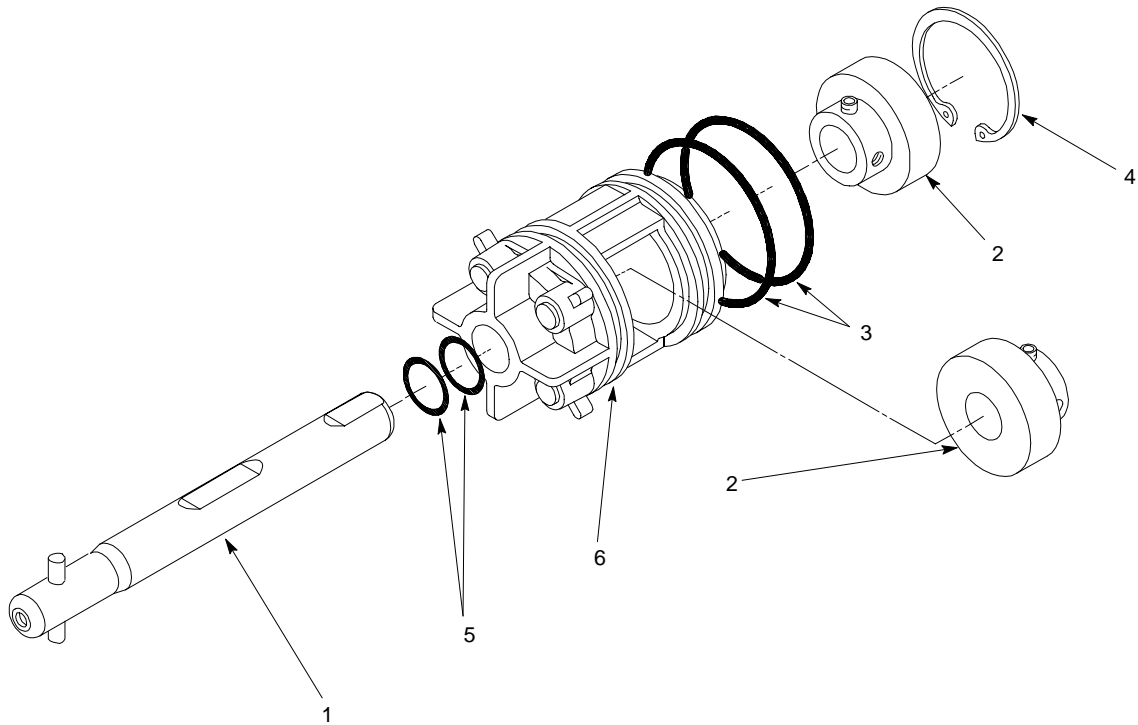


FIGURE 42. BEATER MOTOR DRIVE SHAFT/SEAL ASS'Y

Item No.	Part No.	Name
	3193	Rear Seal Ass'y
1	3156	Drive Shaft
2	2463	Bearing with Setscrews

Item No.	Part No.	Name
3	2360	O-Ring, 1.86 I.D. By .139 C.S.
4	2583	Retaining Ring
5	2731	O-Ring, .671 I.D. By .139 C.S.
6	2591	Housing

WARRANTY

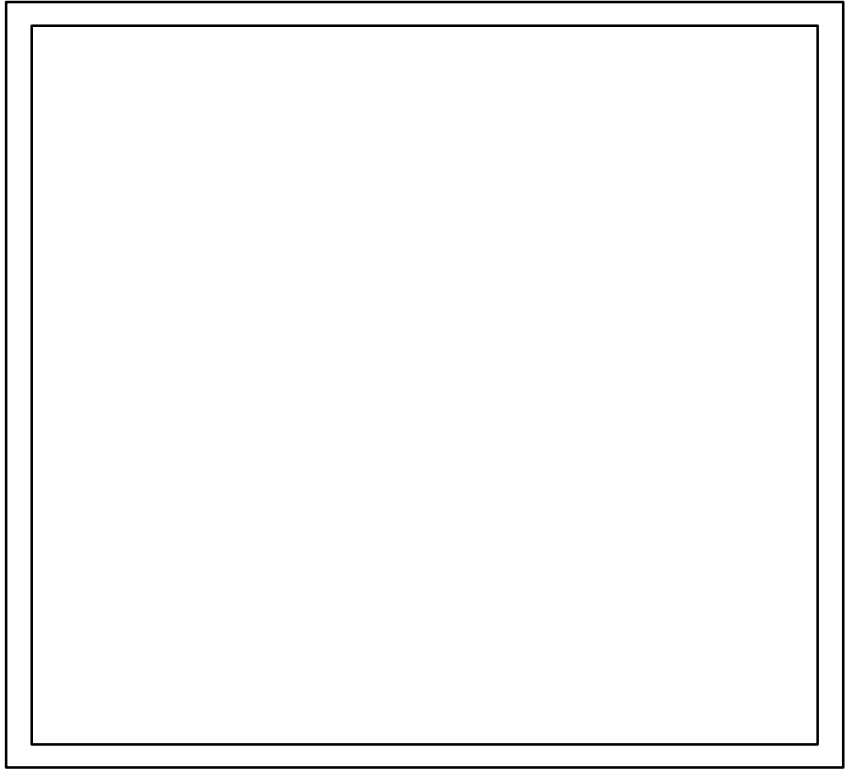
IMI Cornelius Inc. warrants that all equipment and parts are free from defects in material and workmanship under normal use and service. For a copy of the warranty applicable to your Cornelius, Remcor or Wilshire product, in your country, please write, fax or telephone the IMI Cornelius office nearest you. Please provide the equipment model number, serial number and the date of purchase.

IMI Cornelius Offices

AUSTRALIA • P.O. 210, • RIVERWOOD, • NSW 2210, AUSTRALIA • (61) 2 533 3122 • FAX (61) 2 534 2166
AUSTRIA • AM LANGEN FELDE 32 • A-1222 • VIENNA, AUSTRIA • (43) 1 233 520 • FAX (43) 1-2335-2930
BELGIUM • BOSKAPELLEI 122 • B-2930 BRAASCHAAT, BELGIUM • (32) 3 664 0552 • FAX (32) 3 665 2307
BRAZIL • RUA ITAOCARA 97 • TOMAS COELHO • RIO DE JANEIRO, BRAZIL • (55) 21 591 7150 • FAX (55) 21 593 1829
ENGLAND • TYTHING ROAD ALCESTER • WARWICKSHIRE, B49 6 EU, ENGLAND • (44) 789 763 101 • FAX (44) 789 763 644
FRANCE • 71 ROUTE DE ST. DENIS • F-95170 DEUIL LA BARRE • PARIS, FRANCE • (33) 1 34 28 6200 • FAX (33) 1 34 28 6201
GERMANY • CARL LEVERKUS STRASSE 15 • D-4018 LANGENFELD, GERMANY • (49) 2173 7930 • FAX (49) 2173 77 438
GREECE • 488 MESSOGION AVENUE • AGIA PARASKEVI • 153 42 • ATHENS, GREECE • (30) 1 600 1073 • FAX (30) 1 601 2491
HONG KONG • 1104 TAIKOTSUI CENTRE • 11-15 KOK CHEUNG ST • TAIKOKTSUE, HONG KONG • (852) 789 9882 • FAX (852) 391 6222
ITALY • VIA PELLIZZARI 11 • I-20059 • VIMARCATI, ITALY • (39) 39 608 0817 • FAX (39) 39 608 0814
NEW ZEALAND • 20 LANSFORD CRES. • P.O. BOX 19-044 AVONDALE • AUCKLAND 7, NEW ZEALAND • (64) 9 8200 357 • FAX (64) 9 8200 361
SINGAPORE • 16 TUAS STREET • SINGAPORE 2263 • (65) 862 5542 • FAX (65) 862 5604
SPAIN • POLIGONO INDUSTRIAL • RIERA DEL FONOLLAR • E-08830 SANT BOI DE LLOBREGAT • BARCELONA, SPAIN • (34) 3 640 2839 • FAX (34) 3 654 3379
USA • ONE CORNELIUS PLACE • ANOKA, MINNESOTA • (612) 421-6120 • FAX (612) 422-3255

LD004
4/21/98

THIS PAGE LEFT BLANK INTENTIONALLY



IMI CORNELIUS INC.

CORPORATE HEADQUARTERS:

One Cornelius Place
Anoka, Minnesota 55303-6234
(612) 421-6120
(800) 238-3600

