

EDGER

Model EV3850x4NA

3.8 Horsepower

9 Inch Blade

Edge / Bevel Cut



Caution:

**Read and follow all Safety Rules
and Operating Instructions before
first use of this product.**

TABLE OF CONTENTS

WARRANTY STATEMENT	2	OPERATION	9
SAFETY RULES	3	MAINTENANCE	14
INTERNATIONAL SYMBOLS	5	TROUBLE SHOOTING CHART ..	18
ASSEMBLY	6	REPAIR PARTS	19

WARRANTY STATEMENT

LIMITED TWO-YEAR WARRANTY ON EDGER

For two years from the date of purchase, when this Edger is maintained, lubricated, and tuned up according to the operating and maintenance instructions in the owner's manual, Murray will repair, free of charge, any defect in material or workmanship.

If this Edger is used for commercial or rental purposes, this warranty applies for only 90 days from the date of purchase.

This warranty does not cover the following:

- Expendable items which become worn during normal use, such as spark plugs, etc.
- Repairs necessary because of operator abuse or negligence, including bent crank shafts and the failure to maintain the equipment according to the instructions contained in the owner's manual.

WARRANTY SERVICE IS AVAILABLE BY RETURNING THE Edger TO THE NEAREST AUTHORIZED SERVICE CENTER IN THE UNITED STATES. THIS WARRANTY APPLIES ONLY WHILE THIS PRODUCT IS IN USE IN THE UNITED STATES.

This **Murray, Inc. Limited Warranty** gives you specific legal rights, and you may also have other rights which vary from state to state. **This Limited Warranty is given in lieu of all other expressed and implied warranties including the implied warranty of merchantability and warranty of fitness for a particular purpose.** If you need additional information on this written warranty or assistance in obtaining service, write or call: **MURRAY, INC.** Customer Service Department, P.O. Box 268, Brentwood, Tennessee 37027, 1-800-251-8007



WARNING:



Engine Exhaust, some of its constituents, and certain vehicle components contain or emit chemicals known to the State of California to cause cancer and birth defects or other reproductive harm.

Battery posts, terminals and related accessories contain lead and lead compounds, chemicals known to the State of California to cause cancer and birth defects or other reproductive harm. WASH HANDS AFTER HANDLING.

SAFETY RULES

Safe Operation Practices for Edger.



WARNING: Look for this symbol to point out important safety precautions. It means: "Attention! Become Alert! Your Safety Is Involved."



WARNING: To prevent accidental starting when setting-up, transporting, adjusting or making repairs, always disconnect spark plug wire and put wire where it cannot contact the spark plug .

Before Use

- Read the owner's manual carefully. Be thoroughly familiar with the controls and the proper use of the Edger. Know how to stop the Edger and disengage the controls quickly.
- Do not operate the Edger without wearing adequate outer garments. Wear footwear that will improve footing on slippery surfaces.
- Keep the area of operation clear of all persons, particularly small children and pets.
- Thoroughly inspect the area where the Edger is to be used and remove all foreign objects.

Fuel Safety

- Handle fuel with care; it is highly flammable.
- Use an approved container.
- Check fuel supply before each use, allowing space for expansion as the heat of the engine and/or sun can cause fuel to expand.
- Fill fuel tank outdoors with extreme care. Never fill fuel tank indoors. Replace fuel tank cap securely and wipe up spilled fuel.
- Never remove the fuel tank cap or add fuel to a running or hot engine.
- Never store fuel or Edger with fuel in the tank inside a building where fumes may reach an open flame.

Operating Safety

- Never allow children or young teenagers to operate the Edger. Keep them away while it is operating. Never allow adults to operate the Edger without proper instruction.
- Do not operate this machine if you are taking drugs or other medication which can cause drowsiness or affect your ability to operate this machine.
- Do not use this machine if you are mentally or physically unable to operate this machine safely.
- Always wear safety glasses or eye shields during operation or while performing an adjustment or repair to protect your eyes from foreign objects that may be thrown from the Edger.
- Do not put hands or feet near or under rotating parts.
- Exercise extreme caution when operating on or crossing gravel drives, walks, or roads. Stay alert for hidden hazards or traffic.
- Exercise caution to avoid slipping or falling.
- Never operate the Edger without proper guards, plates, or other safety protective devices in place.
- Never operate the Edger at high transport speeds on slippery surfaces. Look behind and use care when backing.
- Never allow bystanders near the Edger.
- Keep children and pets away while operating.
- Never operate the Edger without good visibility or light.
- Do not run the engine indoors. The exhaust fumes are dangerous, containing CARBON MONOXIDE, an ODORLESS and DEADLY GAS.
- Take all possible precautions when leaving the Edger unattended. Stop the engine.
- Do not overload the Edger capacity by attempting to till too deep at too fast a rate.

SAFETY RULES

Safe Storage

- Always refer to the owner's manual instructions for important details if the Edger is to be stored for an extended period.
- Never store the Edger with fuel in the fuel tank inside a building where ignition sources are present such as water and space heaters, clothes dryers, and the like. Allow the engine to cool before storing in any enclosure.
- Keep the Edger in safe working condition. Check all fasteners at frequent intervals for proper tightness.

Repair / Adjustments Safety

- After striking a foreign object, stop the engine. Remove the wire from the spark plug, and keep the wire away from the plug to prevent accidental starting. Thoroughly in-

spect the Edger for any damage, and repair the damage before restarting and operating it.

- If Edger should start to vibrate abnormally, stop engine and check immediately for the cause. Vibration is generally a warning of trouble.
- Stop the engine whenever you leave the operating position. Also, disconnect the spark plug wire before unclogging the blade and when making any repairs, adjustments, or inspections.
- When cleaning, repairing, or inspecting, shut off the engine and make certain all moving parts have stopped.
- Never attempt to make any adjustments while the engine is running except when specifically recommended by the manufacturer.

SAFETY RULES

INTERNATIONAL SYMBOLS

IMPORTANT: Many of the following symbols are located on your unit or on literature supplied with the product. Before you operate the unit, learn and understand the purpose for each symbol.

Control And Operating Symbols



Slow



Fast



Fuel



Oil

Safety Warning Symbols



WARNING
Thrown Objects.
Keep Bystanders Away.



WARNING
Rotating Parts. Stop Engine.
Disconnect Spark Wire Before
Making Adjustments.



WARNING



IMPORTANT
Read Owner's Manual
Before Operating
This Machine.



WARNING
Wear Eye Protection



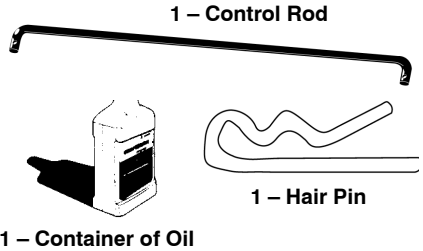
STOP

ASSEMBLY

ASSEMBLY

Parts Packed Separately In Carton

- 1 – Owner's Manual (not shown)
- 1 – Container Of Oil
- 2 – Hair Pin
- 1 – Control Rod



WARNING: Always wear safety glasses or eye shields while assembling the Edger.

Figure 1 shows the Edger completely assembled.

References to the right or left side of the Edger are from the viewpoint of the operator's position behind the unit.

REMOVE THE EDGER FROM THE CARTON

1. Remove the bottle of oil and parts bag

from the carton.

2. Cut down all four corners of the carton.
3. Remove the packing material positioned around the front and rear of the unit. Leave the packing material on the bottom of the unit until the control rod is assembled. This will keep the front wheel in a stable position.
4. Lift the Edger out of the carton and place on a hard level surface.

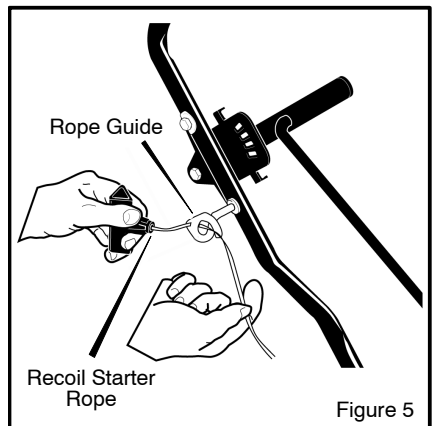
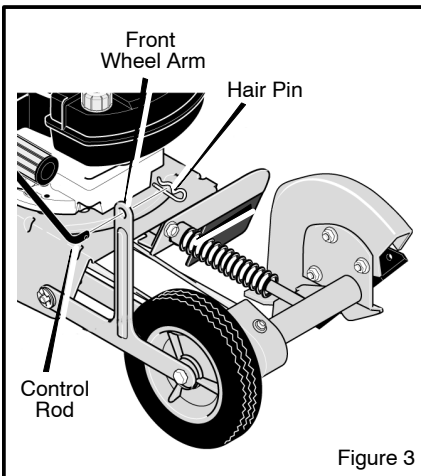
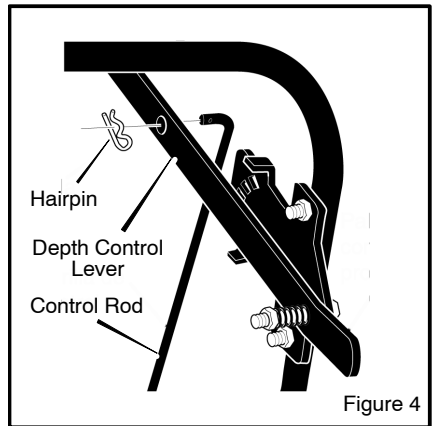
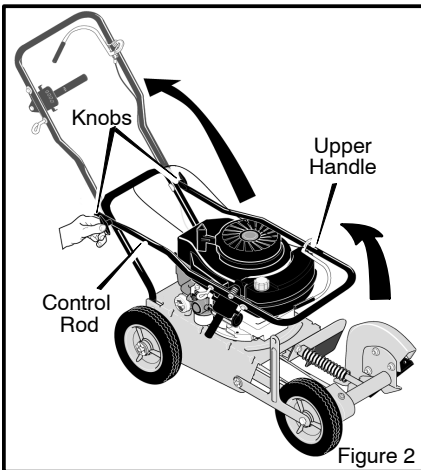


Figure 1

ASSEMBLY

HOW TO RAISE THE HANDLE

1. Loosen the **knobs** and raise the upper handle to the upright position. See Figure 2.
2. Tighten the **knobs**. Make sure the **knobs** are to the outside of the handles as shown in Figure 2.
3. Insert the end of the **control rod**, from **RIGHT to LEFT**, through the hole in the **front wheel arm**. Attach with **hair pin** found in parts bag. See Figure 3.
4. Push down on the handle to tilt the unit back.
5. Insert the other end of the **control rod**, from **RIGHT to LEFT**, through the hole in the **depth control lever** and fasten with **hair pin**. See Figure 4.
6. Move the **depth control lever** forward to the **STARTING** and **TRANSPORT** position.
7. Remove any packing material from the bottom of the unit.
8. To attach the **recoil starter rope** to the **rope guide**, twist the **recoil starter rope** through the **rope guide**. See Figure 5.



ASSEMBLY

HOW TO PREPARE THE ENGINE

ENGINE DOES NOT CONTAIN OIL OR GASOLINE

See the engine manufacturer's instructions for the type of gasoline and oil to use. Before you use the unit, read the information on safety, operation, maintenance, and storage. This Edger was shipped with a 20 ounce container of SAE30 motor oil. Add this oil to the engine before operating. To fill the crankcase, remove the oil fill cap/dipstick and add the SAE30 motor oil. **DO NOT OVERFILL.**

NOTE: The engine may contain a small amount of oil. When adding oil, frequently insert the oil fill cap/dipstick and check the amount of oil in the engine. DO NOT OVERFILL.



WARNING: Follow the engine manufacturer's instructions for the type of gasoline and oil to use. Always use a safety gasoline container. Do not smoke when adding gasoline to the engine. When inside an enclosure, do not fill with gasoline. Before you add gasoline, stop the engine. Let the engine cool for several minutes.

IMPORTANT: This unit is equipped with an internal combustion engine and must not be used on or near any unimproved forest-covered, brush-covered or grass-covered land unless the engine's exhaust system is equipped with a spark arrester meeting applicable local or state laws (if any). If a spark arrester is used, it must be maintained in effective working order by the operator.

In the State of California the above is required by law (Section 4442 of the California Public Resources Code). Other states may have similar laws. Federal laws apply on federal lands. See an Authorized Service Center for a spark arrester for the muffler.

✓ CHECKLIST

For the best performance and satisfaction from this quality product, please review the following checklist before you operate the Edger:

- ✓ All assembly instructions have been completed.
- ✓ Check carton. Make sure no loose parts remain in the carton.
- ✓ All fasteners have been properly tightened.

As you learn how to use the Edger, pay extra attention to the following important items:

- ✓✓ Engine oil is at proper level.
- ✓✓ Fuel tank is filled with a fresh, clean, regular Unleaded gasoline.
- ✓✓ Become familiar and understand the function of all controls. Before your start the engine, operate all controls.

OPERATION

KNOW YOUR EDGER

READ THE OWNER'S MANUAL AND ALL SAFETY RULES BEFORE YOU OPERATE the Edger. To familiarize yourself with the location of the controls, compare the illustrations with your Edger. **Save this manual for future reference.**

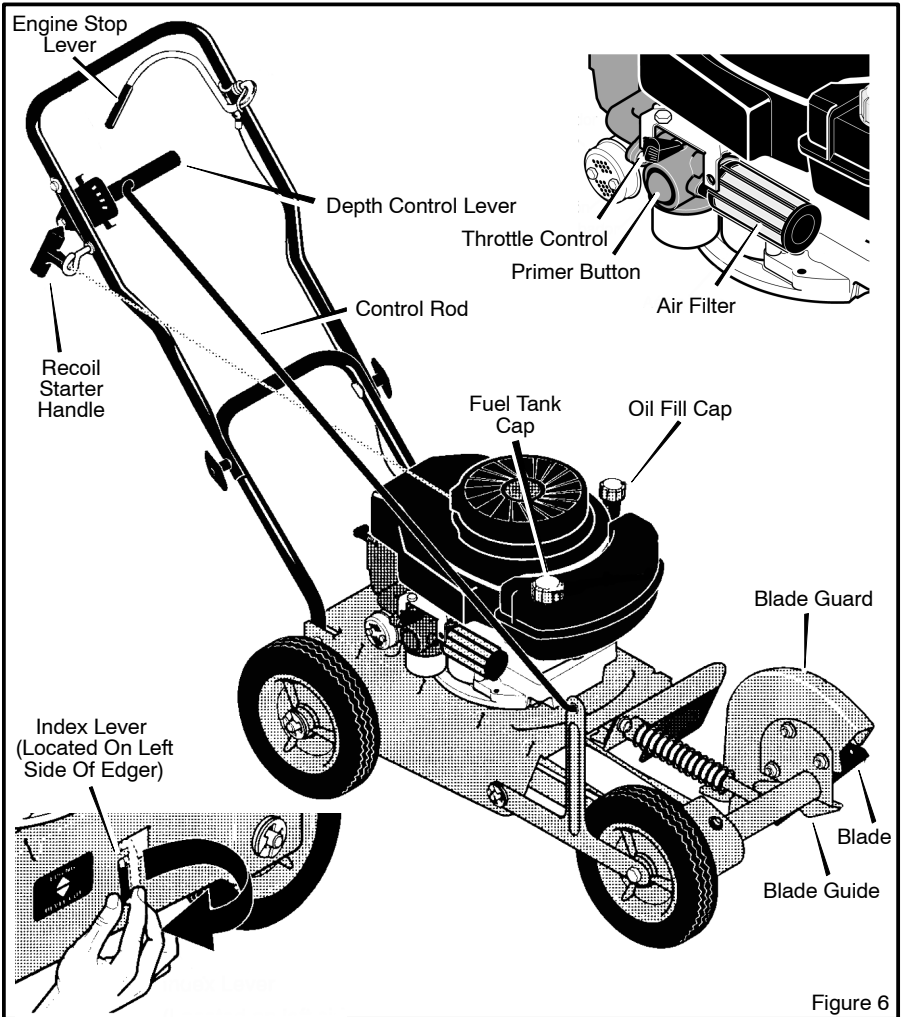


Figure 6

Throttle Control – The engine is set to run at full speed. The throttle control has only two positions, RUN and STOP.

Primer Button – Injects fuel directly into the carburetor for faster starts.

Recoil Starter Handle – The engine is equipped with an easy pull recoil starter.

Index Lever – Set bevel cut.

F-041105C

Depth Control Lever – Controls depth of cut.

Blade Guard – Use to prevent stones and debris from being thrown at the operator.

Engine Stop Lever – Must be engaged to allow the engine to start and run. Release to stop the engine.

OPERATION

EYE PROTECTION

Always wear safety glasses. If you wear eye glasses, put a Wide Vision Safety Mask over your eye glasses.



WARNING: Debris thrown from the Edger can result in foreign objects being thrown into the eyes, which can cause severe eye damage. Always wear safety glasses or eye shields when operating the Edger.

HOW TO USE THE INDEX LEVER

Bevel edging cuts a trench and reduces the need to edge as often.

1. Stop the engine and disconnect the spark plug wire from the spark plug.
2. Disengage the index lever from the EDGING position and move to the BEVEL position.
3. Reconnect the spark plug wire to the spark plug.
4. Start the engine.
5. Move the depth control lever to the desired height.

NOTE: For deep edging, first cut at shallow depths. Then, cut at greater depths until the desired depth is obtained.



WARNING: While the engine is running, never leave the Edger. Before you adjust the wheels or change the blade position, always disengage the cutting blade and stop the engine.

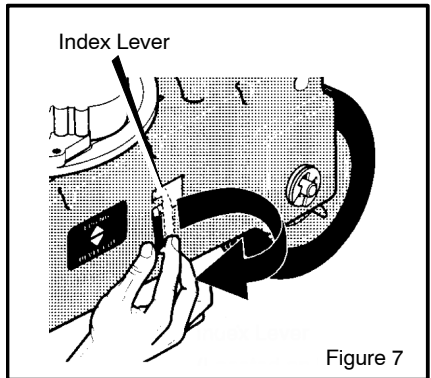


Figure 7

OPERATION



WARNING: When the engine runs, the blade will rotate. To prevent injury, keep hands and feet away from blade.

HOW TO STOP THE EDGER

1. Move the **depth control lever** forward to raise the blade. Then, release the engine stop lever. See Figure 8.



WARNING: Never leave the Edger unattended while the engine is running. Always raise the cutting blade and stop the engine.

HOW TO USE THE ENGINE STOP LEVER

1. Release the **engine stop lever** and the engine and the blade will automatically stop. To run the engine, hold the **engine stop lever** in the operating position. See Figure 8.
2. If the engine continues to run, move the throttle control to the STOP position (see Figure 9).

IMPORTANT: Before you start the engine, operate the engine stop lever several times. Make sure the engine stop cable moves freely. If the engine stop cable is bent or damaged, replace the cable. If the problem continues, take the Edger to an Authorized Service Center to correct the problem.

HOW TO USE THE DEPTH CONTROL LEVER

1. Start the engine.
2. To lower the cutting blade, pull the depth control lever back.
3. Select the edging depth that you need. There are three selections with an approximately depth of two inches.

NOTE: For deep edging, first cut at shallow depths. Then, cut at greater depths until the desired depth is obtained.

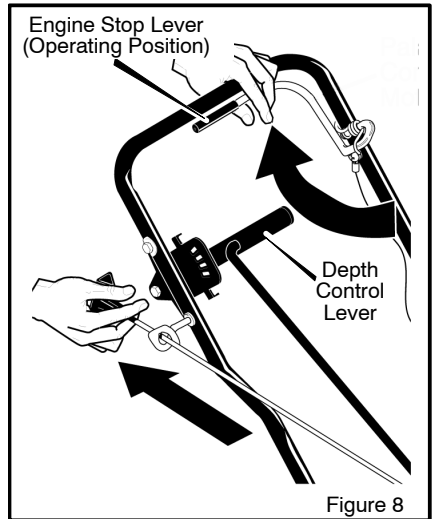


Figure 8

HOW TO USE THE PRIMER BUTTON

When starting a cold engine, push the **primer button** five times (see Figure 9). Wait approximately two seconds between each push.

IMPORTANT: When starting a warm engine, do not use the primer button.

HOW TO USE THE THROTTLE CONTROL

1. The engine is designed to operate at full speed. The throttle control has only two positions, RUN and STOP. When operating,

ing, the throttle control must be in the RUN position. (see Figure 9).

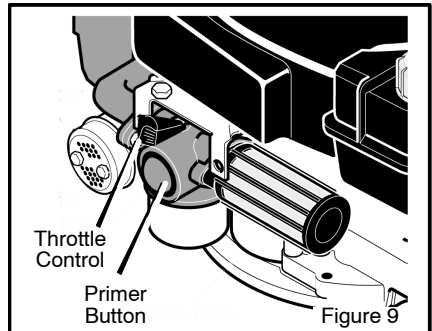


Figure 9

OPERATION

HOW TO STOP THE ENGINE

To stop the engine, release the engine stop lever. If the engine continues to run, move the throttle control to the STOP position.

If the engine will not stop, hold a screwdriver against the spark plug and against the engine cooling fins. The spark will go to ground and the engine will stop.

HOW TO START THE ENGINE



WARNING: When the engine runs, the blade will rotate. To prevent injury, keep hands and feet away from blade.

IMPORTANT: Before you start the engine, move the edger to the desired location. Operate the controls several times. Make sure all controls move freely.

1. Check the oil.
2. Fill the fuel tank with regular unleaded gasoline. Make sure the gasoline is clean. Leaded gasoline will increase deposits and shorten the life of the valves.

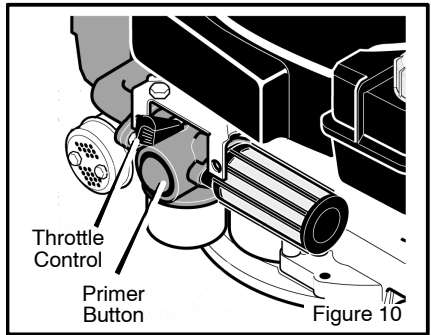
NOTE: Do not use gasohol or methanol. Do not use premium unleaded gasoline.



WARNING: Always use a safety gasoline container. Do not smoke when adding gasoline to the fuel tank. When inside an enclosure, do not add gasoline. Before you add gasoline, stop the engine and let the engine cool for several minutes.

3. Make sure the spark plug wire is connected to the spark plug.
4. Pull the engine stop lever back to the ENGAGED position. Hold the engine stop lever against the handle.
5. When starting a cold engine, push the **primer button** five times. Wait approxi-

mately two seconds between each push. See Figure 10.



NOTE: Do not use the primer button to start a warm engine.

6. To start engine, hold the recoil starter handle firmly with your right hand.
7. Quickly pull the recoil starter handle. DO NOT allow the starter rope to snap back. Let the starter rope slowly rewind. If engine fails to start after three pulls, push primer button two times and again pull the recoil starter handle.
8. If the engine does not start in 5 or 6 tries, see the instructions in the "Trouble Shooting Chart".



WARNING: Never run the engine indoors or in a poorly ventilated area. Engine exhaust contains carbon monoxide, an odorless and deadly gas. Keep hands, feet, hair and loose clothing away from any moving parts. Avoid the muffler and surrounding areas. Temperatures can exceed 150 degrees.

OPERATION

EDGING TIPS

- Edging is best performed when conditions are dry. If the soil is too wet, dirt becomes packed around the blade causing premature belt wear and decreased performance.
- If dirt does become packed around the blade, stop the engine and remove the wire from the spark plug. Remove the packed dirt and debris from the blade.
- For deep edging, first cut at shallow depths. Then, cut at greater depths until the desired depth is obtained.
- For uniform edging, make sure the blade guide rides on the surface.
- Edging can be customized by varying the number of passes and by the distance the blade is from the surface.



WARNING: Read the Owner's manual. Know location and functions of all controls. Keep all safety devices and shields in place. Never allow children or uninstructed adults to operate Edger. Shut off engine before unclogging blade or making repairs. Keep bystanders away from machine. Keep away from the blade all rotating parts, which cause injury.

MAINTENANCE

CUSTOMER RESPONSIBILITIES

SERVICE RECORDS Fill in dates as you complete regular service.	After First 2 Hours	Before Each Use	Often	Every 10 Hours	Every 25 Hours	Before Each Season	Before Storage	SERVICE DATES
Lubricate All Pivot Points				√			√	
Lubricate Wheel Axles					√		√	
Check Engine Oil Level		√						
Check Spark Plug					√	√		
Check Drive Belt			√					
Tighten All Fasteners	√		√					
Check Blade For Wear Or Damage			√					

GENERAL RECOMMENDATIONS

The warranty on this Edger does not cover items that have been subjected to operator abuse or negligence. To receive full value from the warranty, the operator must maintain the Edger as instructed in this manual.

Some adjustments must be made periodically to properly maintain your Edger.

All adjustments in the Service and Adjustments section of this manual must be checked at least once each season.

ENGINE MAINTENANCE

Use the following maintenance section to keep your unit in good operating condition. All the maintenance information for the engine is in the "Engine Instruction Book". Before you start the engine, read this book.

LUBRICATION

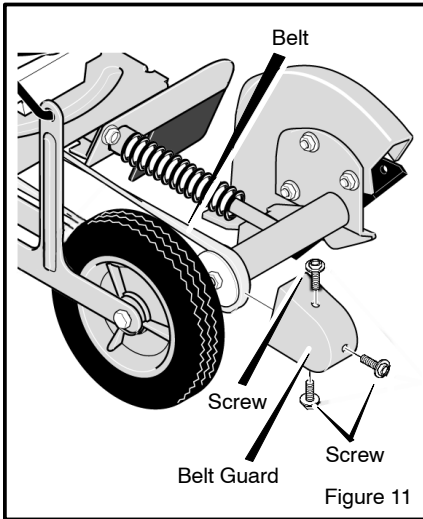
1. After each 25 hours, apply a small amount of engine oil to all moving parts, particularly the wheels.
2. To lubricate the engine, refer to the "Engine Instruction Book".

SERVICE AND ADJUSTMENT

HOW TO REMOVE THE BELT

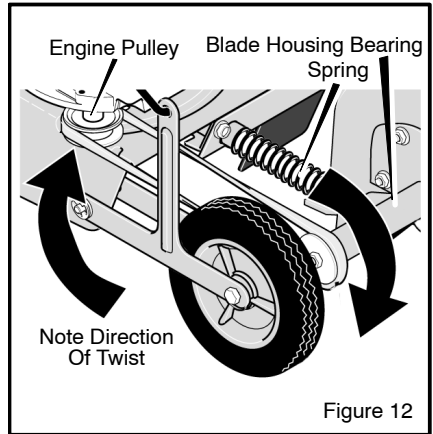
The belt made of a special compound. If the belt becomes worn or breaks, replace the belt with an original equipment belt.

1. Disconnect the spark plug wire from the spark plug.
2. Drain the gasoline and oil from the engine.
3. Tip the Edger backwards on the handle. Block the top of the handle against a wall or under a bench.
4. Remove the screws from the belt guard (see Figure 11).



5. To compress the spring and release tension on the belt, push the blade bearing housing back toward the engine (see Figure 12).
6. Carefully note the twist of the belt around the engine pulley. Remove the old belt. Replace with an original equipment belt.
7. To install a new belt, reverse the above steps. Make sure to twist the new belt as shown in Figure 12.

NOTE: If the belt is not installed properly, the blade will not turn in the proper direction and can damage the blade or belt.



SERVICE AND ADJUSTMENT

HOW TO REPLACE THE BLADE

The blade is subject to wear and damage, such as nicks and dents. This will not generally affect its function.

The blade is designed to not require sharpening. Do not attempt to sharpen the blade. The blade is also reversible. If nicks or dents are excessive, remove the blade and turn it around. This will provide a fresh cutting edge. Replace the blade if both sides are worn or damaged.



WARNING: Do not sharpen the blade. Sharpening can damage the blade and cause it to break, which can cause injury to yourself or to others.

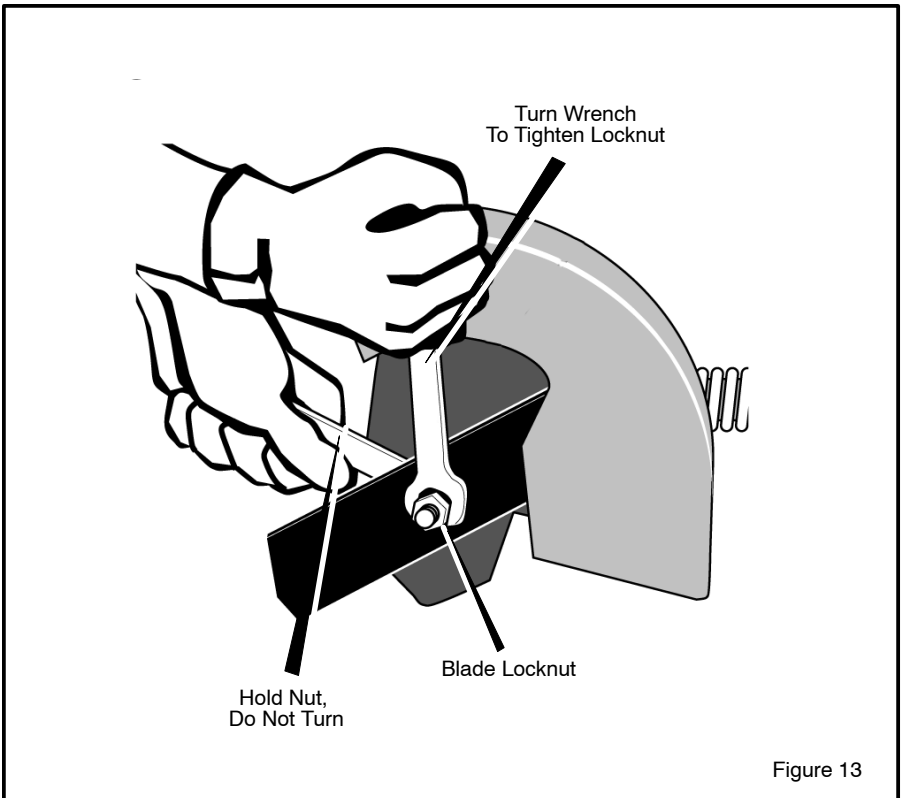
To replace the **blade**, follow the steps below.

1. Disconnect the spark plug wire from the spark plug.
2. Remove the **blade locknut** that holds the **blade** to the drive shaft.



WARNING: To remove or tighten the blade locknut, always use the method shown in Figure 13. Always position the holding wrench on the nut behind the blade.

3. Remove the **blade**.
4. Install a new **blade** and **blade locknut**. Tighten the **blade locknut** to a torque of 40–45 pounds.



SERVICE AND ADJUSTMENT

STORAGE



WARNING: Never store the Edger indoors with fuel in the fuel tank. Never store in an enclosed, poorly ventilated area where fumes could reach an open flame, a spark or a pilot light as on a furnace, water heater or clothes dryer.



WARNING: Do not remove gasoline while inside a building, near a fire, or while you smoke. Gasoline fumes can cause an explosion or a fire.

When the Edger is put in storage for thirty days or more, follow the steps below to make sure the Edger is in good condition the following season.

1. Drain the fuel tank.
2. Let the engine run until it is out of gasoline.
3. Drain the oil from the warm engine. Fill the engine crankcase with new oil.
4. Remove the spark plug from the cylinder. Pour one ounce of oil into the cylinder.

der. Slowly pull the recoil-start grip so that the oil will protect the cylinder. Install a new spark plug in the cylinder.

5. Clean the dirt and debris from the cylinder cooling fins and the engine housing.
6. Completely clean the Edger.
7. Check the Edger for worn or damaged parts. Tighten all loose hardware.
8. Apply a small amount of engine oil to all moving parts, particularly the wheels.
9. Put the unit in a building that has good ventilation.
10. Cover the Edger with a suitable protective cover that does not retain moisture. Do not use plastic.

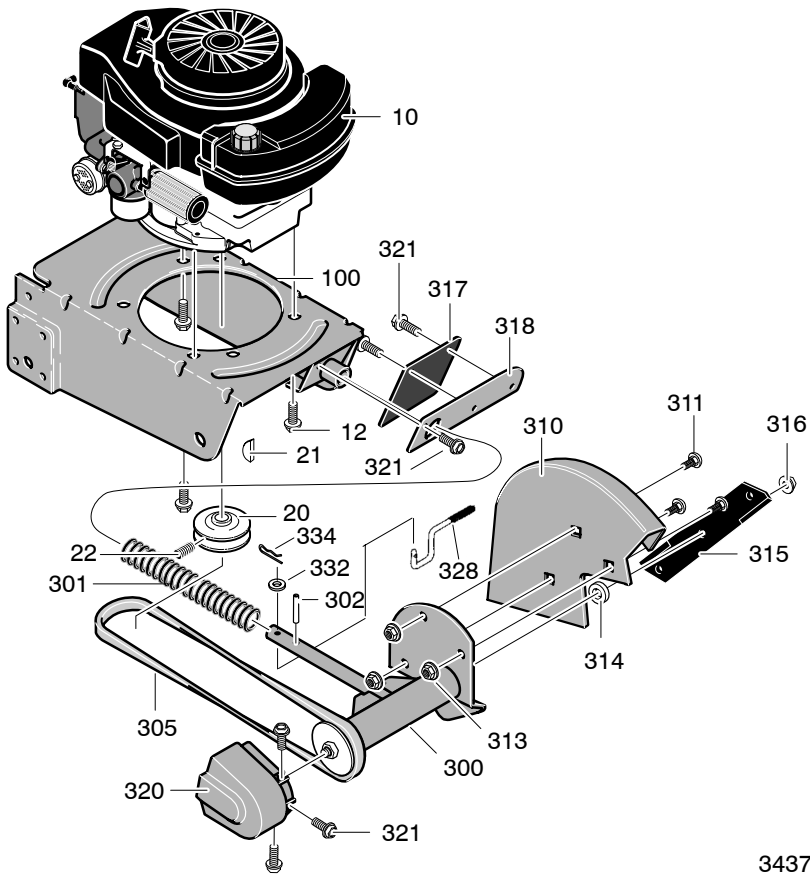
IMPORTANT: Never cover the Edger while the engine and exhaust areas are still warm.

NOTE: A yearly checkup or tune-up by an Authorized Service Center is a good way to make sure that your Edger will provide maximum performance for the next season.

TROUBLE SHOOTING CHART

TROUBLE	CAUSE	CORRECTION
Engine difficult to start or Engine runs erratically or Engine will not run at full speed	Stale fuel	Drain fuel tank. Fill with fresh fuel.
	Clogged fuel filter	Replace fuel filter
	Dirt in fuel tank or out of fuel	Clean fuel tank.
	Carburetor out of adjustment	See Carburetor Adjustment section.
	Fouled spark plug	Clean and set spark plug gap.
	Dirty air filter	Replace air filter.
Engine smokes excessively	Plugged air filter	Replace air filter.
Cutting blade will not rotate	Debris interfering with blade	Clean debris from blade.
	Loose blade	Tighten blade nut.
	Defective V-belt	Replace V-belt.
Blade will not cut properly	Defective quill bearings	Replace the quill assembly.
	Damage or worn blade	Reverse the blade or replace the blade.
Excessive vibration	Loose parts	Stop engine immediately. Tighten all fasteners. If vibration continues, take the unit to an Authorized Service Center.

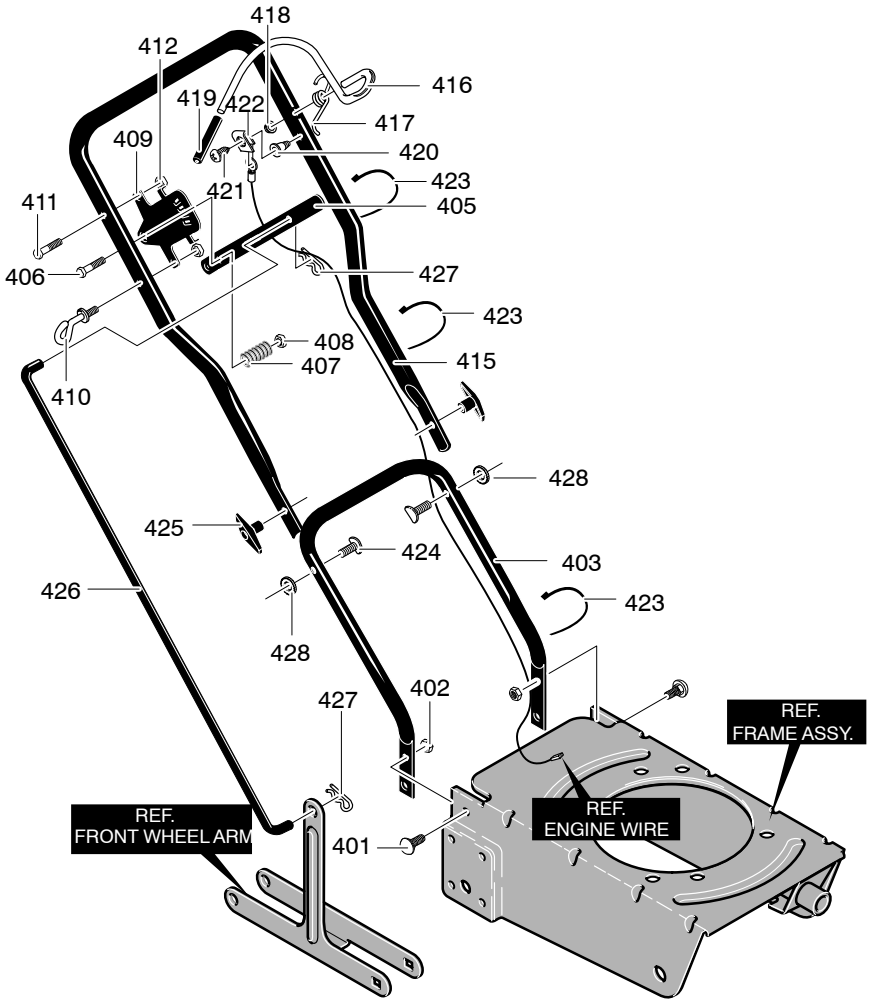
MODEL EV3850x4NA



343714C

KEY NO.	DESCRIPTION	PART NO.	KEY NO.	DESCRIPTION	PART NO.
10	Engine	—	314	Flat washer	22265
12	Screw	25x6	315	Blade, Edger	740297
20	Pulley, V3L	52052	316	Nut, 1/2-20	46023
21	Key, Hi Pro #505	338490	317	Deflector, Rubber	338582
22	Screw, Set	120580	318	Plate, Rubber Flap	337792E245
100	Frame, Edger	740124E245	320	Belt Guard	336631
300	Quill Assembly	740096E701	321	Screw, 10-16x.50	26x245
301	Spring	51603	328	Lever, Blade	740086
302	Spring Pin	412281	332	Washer	783641
305	Belt, V4L	32668	334	Pin, Hair	36368
310	Blade Guard	331076E245	—	Decal, Blade Cover	333874
311	Bolt, Carriage	2x53	—	Decal, Bevel/Edge	710421
313	Nut, 5/16-18	15x88	—	Instruction Manual	F-041105C

MODEL EV3850x4NA

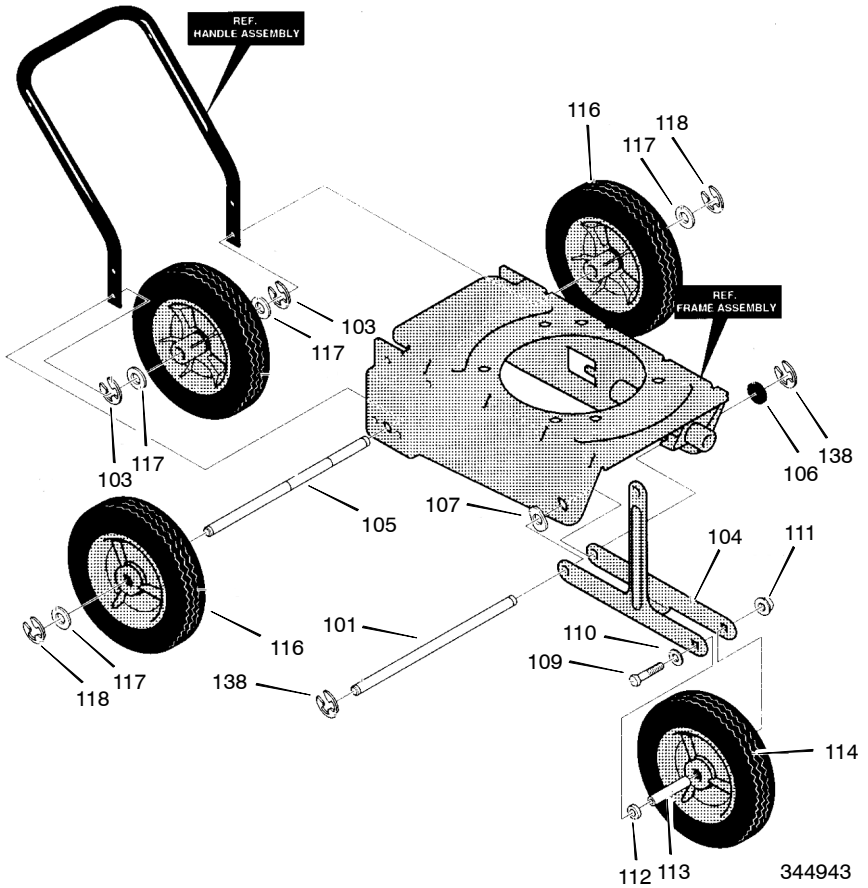


343712C

MODEL EV3850x4NA

KEY NO.	DESCRIPTION	PART NO.
401	Bolt, 5/16–18x.75	711558
402	Nut, 5/16–18	15x79
403	Lower Handle	740128E701
405	Handle, Depth	740130E701
406	Screw	180081
407	Spring, Compression	25644
408	Nut, 5/16–18	1498
409	Brkt, Adj. Quadrant	740143E701
410	Rope Guide	672510
411	Screw, 1/4–20x1.25	180024
412	Nut, 1/4–20	782585
415	Upper Handle	740142E701
416	Bail, Operator Control	337744
417	Torsion Spring	337775
418	Nut, Push On	314276
419	Cap, Operator Control	339489
420	Insulator, Oper Control	339229
421	Screw, #6x.50	57796
422	Clip, Grounding	340162
423	Cable Tie	71372
424	Bolt, 5/16–18x.75	315288
425	Wing Knob 5/16–18	71294
426	Rod, Control	740144E701
427	Hair Pin	36368
428	Washer	138485
--	Decal, Engine Control	402862
--	Decal, Blade Height	402859
--	Decal, Danger Info.	48x968

MODEL EV3850x4NA



KEY NO.	DESCRIPTION	PART NO.	KEY NO.	DESCRIPTION	PART NO.
101	Rod, Axle Front	740091	111	Nut, 5/16-18	15x88
103	E-Ring	20864	112	Washer, Nylon	711008
104	Bracket, Curp Hop	740126E245	113	Spacer, Sleeve	740046
105	Rod, Rear Axle	740095	114	Tire & Rim	339079
106	Washer, Flat	417098	116	Tire & Rim	339079
107	Washer, Spring	20x3	117	Washer, Flat	17x91
108	Tire & Rim	339079	118	E-Ring	20864
109	Screw	180091	138	E-Ring	20864
110	Washer, Flat	120393			

NOTES

HOW TO ORDER REPAIR PARTS

Only use a factory repair part. Repair parts, except for the engine or the transmission, are available from the store where the unit was purchased, a service shop recommended by the store, or an authorized service shop found in the yellow pages of the telephone directory. If you cannot get a repair part or service as described above, call or write to the Central Parts Distributor shown below. When you order, include the following information: (1) Complete Model Number (see nameplate), (2) Date of Manufacture, (3) Complete Part Number, (4) Description, (5) Quantity.

Repair parts for the engine or the transmission are available from the manufacturer's authorized service center found in the yellow pages of the telephone directory. See the individual engine or transmission warranties.

MURRAY, INC. LAWN MOWER CENTRAL PARTS DISTRIBUTORS

BILLIOU'S, INC.

1343 South Main St.
Porterville, CA. 93257
(559)784-4102 1-877-245-5468
FAX 1-800-266-7337

**Arizona, California, Hawaii,
Nevada**

BROWN & WISER, INC.

9991 S.W. Avery Street
Tualatin, OR. 97062
(503)692-0330 1-800-882-4782
FAX (503)691-2041

Alaska, Idaho (counties Ada, Adams, Benewah, Boise, Bonner, Boundry, Canyon, Clearwater, Elmore, Gem, Idaho, Kooten, Latah, Lewis, NEZ Perce, Owyee, Payette, Ravalli, Shoshone, Valley, Washington), **Montana** (counties Flathead, Lake, Lincoln, Mineral, Missoulo, Ravalli, Sanders), **Oregon, Washington**

CPT CANADA POWER TECHNOLOGY LIMITED

Mississauga

161 Watline Avenue
Mississauga, Ontario
L4Z-1P2
(905)890-6900 1-800-861-9559

Edmonton

101-10411-178 Street
Edmonton, Alberta
T5S 1R5
(780)453-5791 1-800-861-9559

Ville St-Laurent

234 Mignerone Street
Ville St-Laurent, Quebec
H4T 1Y7
(514)731-3559 1-800-861-9559
Canada

FRANK EDWARDS CO.

3626 Parkway Blvd.
West Valley City, UT 84120
1-800-318-0201
FAX (801)736-8067

Colorado, Idaho (counties Bannock Bearlake, Bingham, Blaine, Booneville, Butte, Camas, Caribou, Cassia, Custer, Franklin, Fremont, Gooding, Jefferson, Jerome, Lemhi, Lincoln, Madison, Minidoka, Oneida, Power, Teton, Twin Falls) **Montana** (all counties except Flathead, Lake, Lincoln, Mineral, Missoulo, Ravalli, Sanders), **Utah, Wyoming**

GARDNER, INC.

3641 Interchange Road
Columbus, OH. 43204-1499
1-800-848-8946
FAX 1-800-626-4735

Alabama, Arkansas, (except these counties: Hempstead, Howard, Lafayette, Little River, Miller, Nevada, Pike, Sevier), **Connecticut, Delaware, District of Columbia, Florida, Georgia, Illinois** (South of Hwy. 80), **Indiana, Iowa, Kansas, Kentucky, Louisiana, Maine, Maryland, Massachusetts, Michigan** (except upper Peninsula), **Mississippi, Missouri, Nebraska, New Hampshire, New Jersey, New York, North Carolina, Ohio, Pennsylvania, Rhode Island, South Carolina, Tennessee, Vermont, Virginia, West Virginia**

Puerto Rico

GULF COAST ENGINE, INC.

4202 Russell Dr.
Corpus Christi, TX. 78408
1-800-825-6999
FAX (888)888-7036

Arkansas (counties Hempstead, Howard, Lafayette, Little River, Miller, Nevada, Pike, Sevier) **New Mexico, Oklahoma, Texas, Mexico**

WISCONSIN MAGNETO

4727 N. Teutonia Ave.
Milwaukee, WI. 53209
1-800-733-7388
FAX 1-800-733-0127

Illinois (N. of Hwy. 80), **Michigan** (upper Peninsula), **Minnesota, North Dakota, South Dakota, Wisconsin**