



If you enjoy soaking in a warm, soothing tub surrounded by gently moving water, or if you prefer an invigorating foot and back massage, the Elara™ tub is right for you.

FEATURES:

- Multi-speed motor
- 4 fully adjustable TheraPro® jets
- 8 AccuPro™ back and foot jets
- 900 watt variable speed heated air blower
- Bottom air channels for maximum massage
- Chromatherapy™ lighting system capable of 256 colors
- All-in-one electronic control panel
- Drain-assist purge system
- Flexible drop-in or undermount installation options
- RapidHeat™ inline heater
- ProO₃™ Cleansing System

**Elara™ 6042
SALON™ SPA with
CHROMATHERAPY**

MODEL NUMBER:
DX70 (Right-hand)

EXTERIOR DIMENSIONS:
60" long x 42" wide x
26" high

OF JETS/TYPE OF JETS:
4 TheraPro™
6 AccuPro™ Back Jets
2 AccuPro™ Foot Jets

OPERATING GALLONS:
83-92 gallons





Elara™ 6042 SALON™ SPA

DX70

Elara™ 6042 Salon™ Spa with Chromatherapy – Right Hand

- Right Hand Drain Location
- Accessories / Hardware:
 - TheraPro™ Jet Rings Kit: #D095
 - AccuPro™ 2 Jet Rings Kit: # J869
 - Sch 40, Rotary Drain Kit: #DA34
- Trim Kit Finishes Available:
 - (827) – Chrome
 - (898) – Brushed Chrome
 - (815) – Satin Nickel
 - (829) – Bright Brass
 - (805) – Platinum
 - (826) – Brushed Nickel
 - (845) – Oil Rubbed Bronze

INSTALLATION NOTES

Refer to installation instructions included with fixture before beginning installation. Please confirm product availability and specifications before commencing with any installation work.

PRODUCT SPECIFICATIONS AND AVAILABILITY ARE SUBJECT TO CHANGE WITHOUT NOTICE.

Technical Specifications

DIMENSIONS

60" L x 42" W x 26" H
(1524 mm) L x (1067 mm) W x (660 mm) H

DRAIN/OVERFLOW

A: 18-1/2" (470 mm) B: 9.6" (244 mm)

CUTOUT

58" (1473 mm) x 40" (1016 mm) & undermount template DQ50000

TOTAL WEIGHT

942 lb. (427 kg) / 54 lb/ft² (263 kg/m²)

OPERATING GALLONAGE

88 U.S. Gal. (333 Liters)
Min. 83 U.S. Gal. (314 liters)
Max. 92 U.S. Gal. (348 liters)

PRODUCT WEIGHT

170 lb. (77 kg)

SKIRT MOUNTING

Not Available

ELECTRICAL SPECIFICATIONS

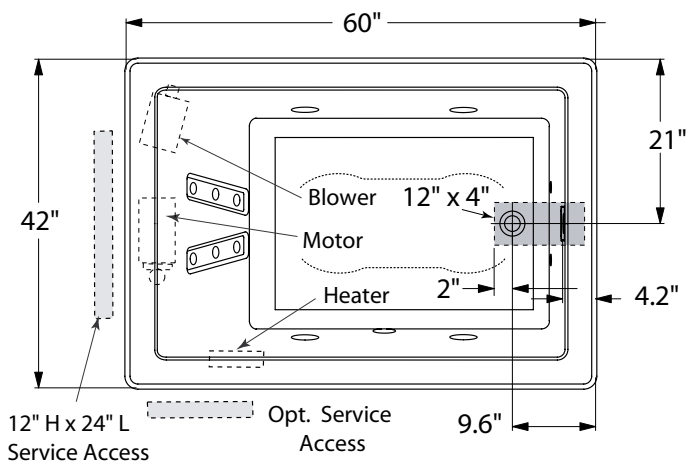
Requires a dedicated GFCI protected separate circuit.

Blower: 120VAC, 20AMP, 60 Hz
Motor/Pump and RapidHeat™: 240VAC, 20AMP, 60 Hz.

HEATER (STANDARD)

Requires a dedicated GFCI protected separate circuit.

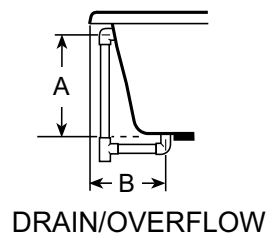
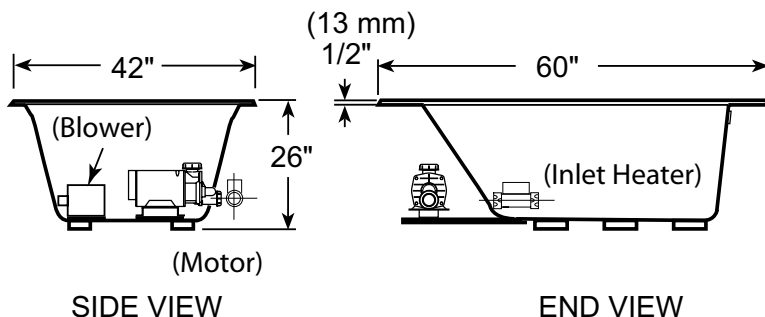
RapidHeat™: P/N BN60000



Product Shown: Elara™ 6042 Salon™ Spa with Chromatherapy Right Hand Model: DX70

* Measurements inside unit represent cutout in floor to allow for drain/overflow.

Minimum Service Access dimensions given.



DRAIN/OVERFLOW