

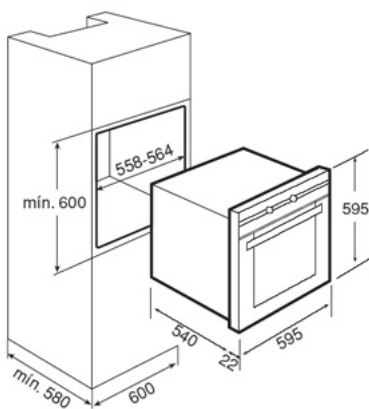
HX 760



CHARACTERISTICS

- . Multifunction oven
- . 10 cooking functions
- . Electronic control panel
- . Digital display
- . Capacity: 56 litres
- . Stainless steel (fingerprint proof)
- . Energy class: A Multifunction turbo
- . Hob control operated by the oven
- . Drop-down maxi grill
- . Pop-up control knobs
- . Cavity with Crystal Clean enamel
- . Grease filter
- . Full glass inner door
- . Triple glazed door
- . Chromed tray guides
- . 2 telescopic tray guides
- . 5 cooking levels
- . Mix chamber refrigeration system
- . Express preheating

TECHNICAL DRAWING



Overall measurements (mm)

Height/Width/Depth	595/595/562
--------------------	-------------

Inner measurements (mm)

Height/Width/Depth	320/413/395
Capacity litres	56

Electrical connection

Voltage 220-240 V	•
Frequency 50-60 Hz	•
Maximum connection rating (W)	3673

Power consumption

Bottom heat (W)	1150
Grill/Maxi Grill (W)	1450/2450
Traditional (W)	2150
Turbo (W)	2000
Motor turbo multifunction (W)	30
Turnspit motor (W)	-
Interior light (W)	25
Cooling fan motor (W)	18

Features

Cooking functions	10
Touch control digital programmer	-
Digital timer with start/stop programmer	•(Pop-up knobs)
Analogic timer with start/stop programmer	-
Analogic timer with stop programmer	-
Mechanical timer with stop programmer	-
Pop-up control knobs	•
Express preheating	•
Cooking levels	5
Telescopic tray guides	2
Chromed tray guides	•
Mix Chamber System (MCS)	•
Fume scape outlet	Vault
Drop-down grill	•

Safety systems

Door opening security disconnection	•
Children safety block option	•
Anti-tip tray system	•
Safety thermostat	•
Glazed door	3

Cleaning system

Self-cleaning panels	-
Crystal clean enamel	Trays/cavity
Pyrolytic cleaning	-
Fingerprint proof stainless steel	•

Accessories

Baking tray	1
Deep tray (50 mm)	1
Roasting tray	-
Chromed roasting grid	1
Turnspit	-
Tray handle	1

Energy efficiency

Energy label	A
--------------	---