



Looking for a Jacuzzi® bath for two? Consider the Duetta™ Salon™ Spa, a lush, oval whirlpool designed for discerning bathers.

FEATURES:

- Multi-speed motor
- 4 fully adjustable TheraPro® jets
- 8 adjustable foot and back jets
- Flexible drop-in or undermount installation options
- 900 watt variable speed heated air blower
- Bottom air channels for maximum massage
- Chromatherapy™ lighting system capable of 256 colors
- All-in-one electronic control panel
- Low-profile deck
- Drain-assist purge system
- RapidHeat™ inline heater
- PrO₃™ Cleansing System

**Duetta™ 6042
SALON™ SPA**

MODEL NUMBER:
DZ35 (Right-hand)

EXTERIOR DIMENSIONS:
60" long x 42" wide x
26" high

OF JETS/TYPE OF JETS:
4 TheraPro™
8 Back Jets & Foot Jets

OPERATING GALLONS:
77 - 83 gallons





Duetta™ 6042 SALON™ SPA

DZ35 Duetta™ 6042 Salon™ Spa with Chromatherapy Right Hand

- Center Drain Location
- Accessories / Hardware:
 - TheraPro™ Jet Rings Kit: #D095
 - Sch 40, Rotary Drain Kit: #DA34
- Trim Kit Finishes Available:
 - (827) – Chrome
 - (898) – Brushed Chrome
 - (815) – Satin Nickel
 - (829) – Bright Brass
 - (805) – Platinum
 - (826) – Brushed Nickel
 - (845) – Oil Rubbed Bronze

INSTALLATION NOTES
 Refer to installation instructions included with fixture before beginning installation. Please confirm product availability and specifications before commencing with any installation work.

PRODUCT SPECIFICATIONS AND AVAILABILITY ARE SUBJECT TO CHANGE WITHOUT NOTICE.

Technical Specifications

DIMENSIONS
 60" L x 42" W x 26" H
 (1524 mm) L x (1067 mm) W x (660 mm) H

DRAIN/OVERFLOW
 A: 18.4" (467 mm) B: 11" (279 mm)

CUTOUT
 Template Provided Part Number: DA09000

TOTAL WEIGHT
 999 lbs (453 kg) / 57.1 lb/sq. ft. (2279 kg/m²)

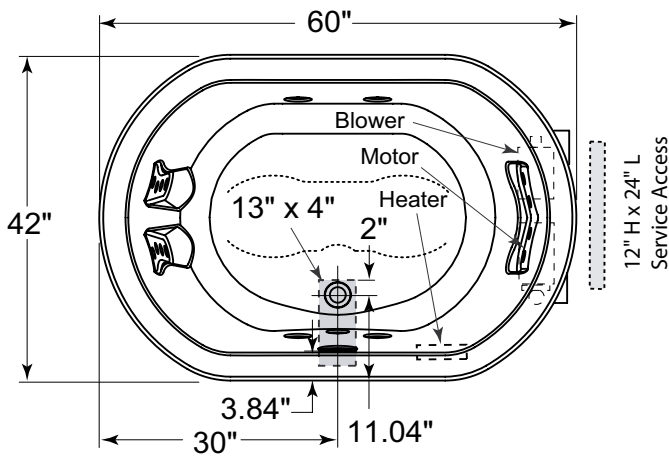
OPERATING GALLONAGE
 Min. 77 U. S. Gal. (291 liters)
 Max. 83 U.S. Gal. (314 liters)

PRODUCT WEIGHT
 110 lbs (50 kg)

SKIRT MOUNTING
 Not Available

ELECTRICAL SPECIFICATIONS
Requires a dedicated GFCI protected separate circuit.
 Blower: 120VAC, 20AMP, 60 Hz.
 Motor/Pump and RapidHeat™: 240VAC, 20AMP, 60 Hz.

HEATER (STANDARD)
Requires a dedicated GFCI protected separate circuit.
 RapidHeat™: P/N BN60000



Product Shown: Duetta™ 6042 Salon™ Spa Right Hand Model: DZ35

* Measurements inside unit represent cutout in floor to allow for drain/overflow.
Minimum Service Access dimensions given.

