



Profile Side by Side Refrigerators

Safety Information

- Adapter Plugs4
- Connect Electricity4
- Extension Cords3
- Proper Disposal3
- Safety Precautions2

Operating Instructions

- Additional Features9
- Automatic Icemaker11
- Care and Cleaning13, 14
- Ice and Water Dispenser12
- Refrigerator Doors9
- Replacing the Light Bulbs15
- Shelves and Bins7, 8
- Storage Drawers10
- Temperature Controls5
- Water and FreshSaver™ Filters6

Installation Instructions

- Preparing to Install
the Refrigerator16, 17
- Removing and Replacing Doors . .23
- Trim Kits and Panels18-22
- Water Line Installation24-26

Troubleshooting Tips

- Before You Call For Service . . .28-30
- Normal Operating Sounds27

Consumer Support

- Consumer SupportBack Cover
- Performance Data Sheet33
- Product Registration35, 36
- State of California Water
Treatment Device Certificate34
- Warranty (Canadian)31
- Warranty (U.S.)32

Write the model and serial numbers here:

Find these numbers on a label inside the refrigerator compartment at the top on the right side.

**Owner's Manual
and Installation**

Models 21, 23, 25, 27, and 29

**Profile Côte à Côte
Réfrigérateurs**

**Manuel d'utilisation
et d'installation**

La section française commence à la page 38

**Profile Lado a Lado
Refrigeradores**

**Manual del propietario
y instalación**

La sección en español empieza en la página 70



IMPORTANT SAFETY INFORMATION. READ ALL INSTRUCTIONS BEFORE USING.

⚠ WARNING!

Use this appliance only for its intended purpose as described in this Owner's Manual.

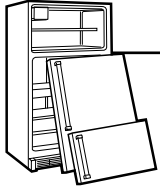


SAFETY PRECAUTIONS

When using electrical appliances, basic safety precautions should be followed, including the following:

- This refrigerator must be properly installed and located in accordance with the Installation Instructions before it is used.
- Do not allow children to climb, stand or hang on the shelves in the refrigerator. They could damage the refrigerator and seriously injure themselves.
- Do not touch the cold surfaces in the freezer compartment when hands are damp or wet. Skin may stick to these extremely cold surfaces.
- Do not store or use gasoline or other flammable vapors and liquids in the vicinity of this or any other appliance.
- In refrigerators with automatic icemakers, avoid contact with the moving parts of the ejector mechanism, or with the heating element that releases the cubes. Do not place fingers or hands on the automatic icemaking mechanism while the refrigerator is plugged in.
- Keep fingers out of the “pinch point” areas; clearances between the doors and between the doors and cabinet are necessarily small. Be careful closing doors when children are in the area.
- Unplug the refrigerator before cleaning and making repairs.
NOTE: We strongly recommend that any servicing be performed by a qualified individual.
- Setting either or both controls to **0** does not remove power to the light circuit.
- Do not refreeze frozen foods which have thawed completely.

⚠ DANGER! RISK OF CHILD ENTRAPMENT



PROPER DISPOSAL OF THE REFRIGERATOR

Child entrapment and suffocation are not problems of the past. Junked or abandoned refrigerators are still dangerous...even if they will sit for “just a few days.” If you are getting rid of your old refrigerator, please follow the instructions below to help prevent accidents.

Before You Throw Away Your Old Refrigerator or Freezer:

- Take off the doors.
- Leave the shelves in place so that children may not easily climb inside.

CFC Disposal

Your old refrigerator may have a cooling system that used CFCs (chlorofluorocarbons). CFCs are believed to harm stratospheric ozone.

If you are throwing away your old refrigerator, make sure the CFC refrigerant is removed for proper disposal by a qualified servicer. If you intentionally release this CFC refrigerant you can be subject to fines and imprisonment under provisions of environmental legislation.



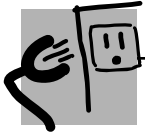
USE OF EXTENSION CORDS

Because of potential safety hazards under certain conditions, we strongly recommend against the use of an extension cord.

However, if you must use an extension cord, it is absolutely necessary that it be a UL-listed (in the United States) or a CSA-listed (in Canada), 3-wire grounding type appliance extension cord having a grounding type plug and outlet and that the electrical rating of the cord be 15 amperes (minimum) and 120 volts.

IMPORTANT SAFETY INFORMATION. READ ALL INSTRUCTIONS BEFORE USING.

⚠ **WARNING!**



HOW TO CONNECT ELECTRICITY

Do not, under any circumstances, cut or remove the third (ground) prong from the power cord. For personal safety, this appliance must be properly grounded.

The power cord of this appliance is equipped with a 3-prong (grounding) plug which mates with a standard 3-prong (grounding) wall outlet to minimize the possibility of electric shock hazard from this appliance.

Have the wall outlet and circuit checked by a qualified electrician to make sure the outlet is properly grounded.

If the outlet is a standard 2-prong outlet, it is your personal responsibility and obligation to have it replaced with a properly grounded 3-prong wall outlet.

The refrigerator should always be plugged into its own individual electrical outlet which has a voltage rating that matches the rating plate.

This provides the best performance and also prevents overloading house wiring circuits which could cause a fire hazard from overheated wires.

Never unplug your refrigerator by pulling on the power cord. Always grip plug firmly and pull straight out from the outlet.

Repair or replace immediately all power cords that have become frayed or otherwise damaged. Do not use a cord that shows cracks or abrasion damage along its length or at either end.

When moving the refrigerator away from the wall, be careful not to roll over or damage the power cord.

USE OF ADAPTER PLUGS *(Adapter plugs not permitted in Canada)*



Because of potential safety hazards under certain conditions, we strongly recommend against the use of an adapter plug.

However, if you must use an adapter, where local codes permit, a **temporary connection** may be made to a properly grounded 2-prong wall outlet by use of a UL-listed adapter available at most local hardware stores.

The larger slot in the adapter must be aligned with the larger slot in the wall outlet to provide proper polarity in the connection of the power cord.

When disconnecting the power cord from the adapter, always hold the adapter in place with one hand while pulling the power cord plug with the other hand. If this is not done, the adapter ground terminal is very likely to break with repeated use.

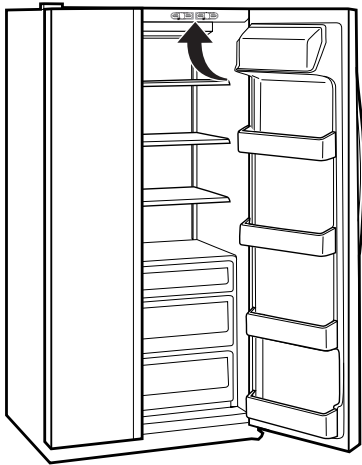
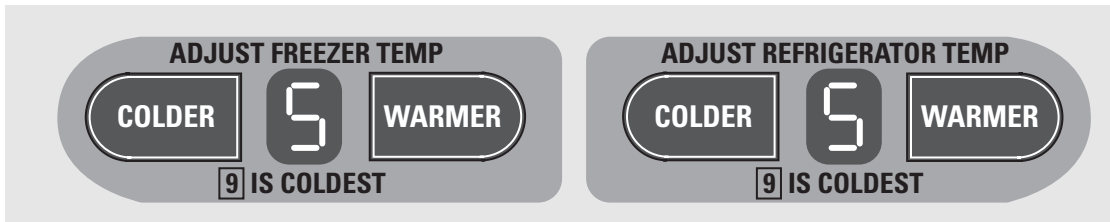
If the adapter ground terminal breaks, **DO NOT USE** the refrigerator until a proper ground has been established.

Attaching the adapter ground terminal to a wall outlet cover screw does not ground the appliance unless the cover screw is metal, and not insulated, and the wall outlet is grounded through the house wiring. You should have the circuit checked by a qualified electrician to make sure the outlet is properly grounded.



READ AND FOLLOW THIS SAFETY INFORMATION CAREFULLY.

SAVE THESE INSTRUCTIONS



The temperature controls are preset in the factory at **5** for both the refrigerator and freezer compartments. Allow **24 hours** for the temperature to stabilize to the preset recommended settings.

Setting either or both controls to **0** stops cooling in both the freezer and refrigerator compartments, but does not shut off electrical power to the refrigerator.

Control settings will vary based on personal preferences, usage, and operating conditions and may require more than one adjustment.

NOTE: The refrigerator is shipped with protective film covering the temperature controls. If this film was not removed during installation, remove it now.



Testing and Adjusting Temperatures

Several adjustments may be required. Each time you adjust controls, allow 24 hours for the refrigerator to reach the temperature you have set.



To test the freezer, place ice cream in the top basket of the freezer. Check it after 24 hours. If it's too hard or too soft, adjust the setting.



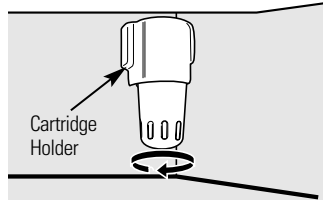
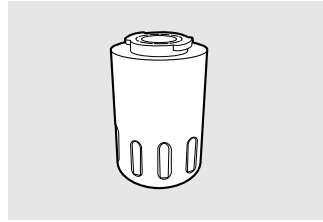
To test the refrigerator compartment, place a beverage on the top shelf. After 24 hours, taste the drink. If the temperature is not satisfactory, adjust the setting.

Performance Air Flow System

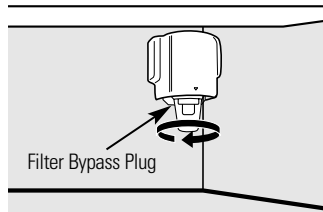
The Performance Air-Flow System is designed to maximize temperature control in the refrigerator and freezer compartments. This unique special feature consists of the Air Tower along the top and back walls of the refrigerator and the Air Tunnel on the bottom portion of the freezer rear wall. Placing food in front of the louvers on these components will not affect performance. Although the Air Tower and the Air Tunnel can be removed, doing so will affect temperature performance. (For removal instructions, on-line, 24 hours a day, contact us at www.GEAppliances.com or call 800-GE-CARES.)

About the water and FreshSaver™ filters.

On some models



Place the top of the cartridge up inside the cartridge holder and slowly turn it to the right.



Water Filter Cartridge

The water filter cartridge is located in the back upper right corner of the refrigerator compartment.

When to Replace the Filter

There is a replacement indicator light for the water filter cartridge on the dispenser. This light will turn orange to tell you that you need to replace the filter soon.

The filter cartridge should be replaced when the replacement indicator light turns red or if the flow of water to the dispenser or icemaker decreases.

Installing the Filter Cartridge

- 1 If you are replacing the cartridge, first remove the old one by slowly turning it to the left. **Do not** pull down on the cartridge. A small amount of water may drip down.
- 2 Lining up the arrow on the cartridge and the cartridge holder, place the top of the new cartridge up inside the holder. **Do not** push it up into the holder.
- 3 Slowly turn it to the right until the filter cartridge stops. **DO NOT OVERTIGHTEN.** As you turn the cartridge, it will automatically raise itself into position. Cartridge will rotate about 1/2 turn.
- 4 Run water from the dispenser for 3 minutes (about one and a half gallons) to clear the system and prevent sputtering.

- 5 Press and hold the **RESET WATER FILTER** pad on the dispenser for 3 seconds.

NOTE: A newly-installed water filter cartridge may **cause water to spurt** from the dispenser.

Filter Bypass Plug

You must use the filter bypass plug when a replacement filter cartridge is not available. The dispenser and the icemaker will not operate without the filter or filter bypass plug.

Replacement Filters:

To order additional filter cartridges in the United States, visit our Website, www.GEAppliances.com, or call **GE Parts and Accessories, 800-626-2002.**

GWF

Suggested Retail \$34.95

Customers in Canada should consult the yellow pages for the nearest Camco Service Center.

FreshSaver™ Filter

This filter is located inside the fresh produce drawer and helps fruits and vegetables stay fresh.

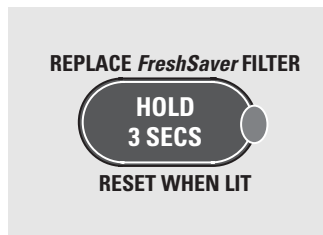
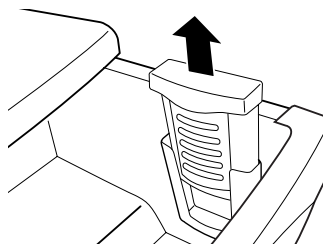
The filter should last approximately six months.

To order additional filters in the United States, visit our Website, www.GEAppliances.com, or call **GE Parts and Accessories, 800-626-2002.**

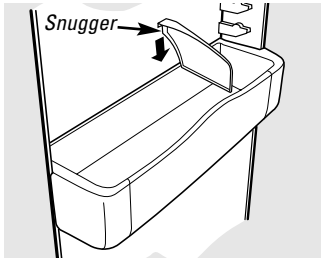
Customers in Canada should consult the yellow pages for the nearest Camco Service Center.

When to Replace the Filter

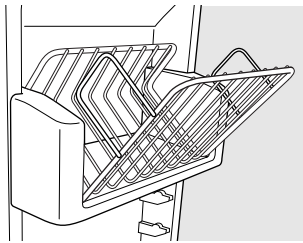
There is a replacement indicator light for the FreshSaver filter on the temperature control panel. This light will turn orange to tell you that you will need to replace the filter soon. When the indicator light turns red, it is time to replace the filter. When putting in a new filter, first remove the plastic covering on the back, then insert the new filter into the holder. After installing the new filter, press and hold the **RESET** pad on the temperature control panel for 3 seconds.



Not all features are on all models.



Refrigerator bin



Freezer tilt-out bin

Refrigerator Door Bins and Freezer Door Tilt-Out Bins

Large Bins

The larger refrigerator door bins and freezer tilt-out door bins are adjustable.

To remove: Lift the front of the bin straight up, then lift up and out.

To replace or relocate: Engage the back side of the bin in the molded supports of the door. Then push down on the front of the bin. Bin will lock in place.

Small Bins

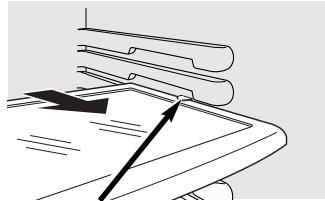
To remove: Lift the front of the bin straight up then out.

To replace: Position the bin above the rectangular molded supports on the door. Then slide the bin down onto the support to lock it in place.

The snagger helps prevent tipping, spilling or sliding of small items stored on the door shelf. Place a finger on either side of the snagger near the rear and move it back and forth to fit your needs.

About the shelves and bins.

Not all features are on all models.



Press tab and pull shelf forward to remove

Slide-Out Spillproof Shelf

The slide-out spillproof shelf allows you to reach items stored behind others. The special edges are designed to help prevent spills from dripping to lower shelves.

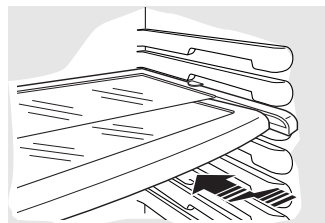
To remove:

Slide the shelf out until it reaches the stop, then press down on the tab and slide the shelf straight out.

To replace or relocate:

Line the shelf up with the supports and slide it into place.

Make sure you push the shelves all the way back in before you close the door.

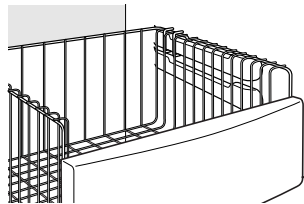


QuickSpace™ Shelf

This shelf splits in half and slides under itself for storage of tall items on the shelf below.

This shelf can be removed and replaced or relocated just like Slide-Out Spillproof Shelves.

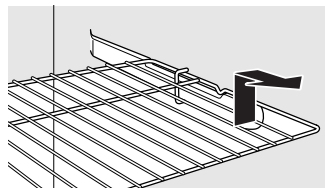
On some models, this shelf can not be used in the lowest position.



Freezer Baskets

To remove, slide out to the **stop** position, lift the front past the stop position, and lift out.

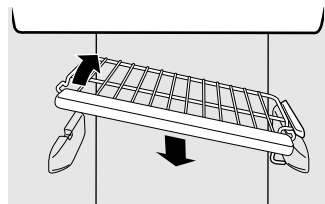
Make sure you push the baskets all the way back in before you close the door.



Slide-Out Freezer Shelves

To remove, slide out to the **stop** position, lift the front past the stop position, and lift out.

Make sure you push the shelves all the way back in before you close the door.



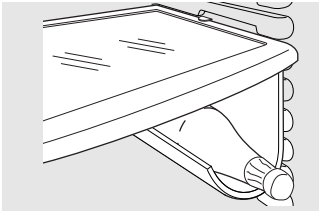
Fixed Freezer Shelves

To remove, lift the shelf up at the left side and then bring the shelf out.

About the additional features.

www.GEAppliances.com

Not all features are on all models.

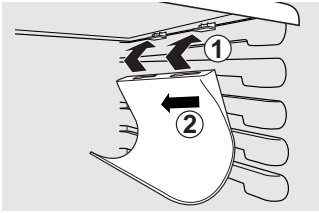


Removable Beverage Rack

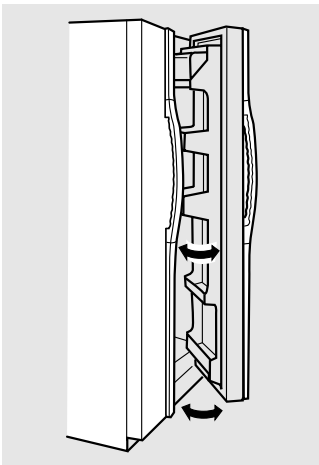
The beverage rack is designed to hold a bottle on its side. It can be attached to any slide-out shelf.

To install:

- 1 Line up the large part of the slots on the top of the rack with the tabs under the shelf.
- 2 Then slide the rack back to lock it in place.



About the refrigerator doors.



Refrigerator Doors

The refrigerator doors may feel different than the ones you are used to. The special door opening/closing feature makes sure the doors close all the way and are securely sealed.

When opening and closing the door you will notice a **stop** position. If the door is opened past this **stop** point, the door will remain open to allow you to load and unload food more easily. When the door is only partially open it will automatically close.

The resistance you feel at the **stop** position will be reduced as the door is loaded with food.

When the door is only partially open it will automatically close.

Beyond this **stop** the door will stay open.

Safety Instructions

Operating Instructions

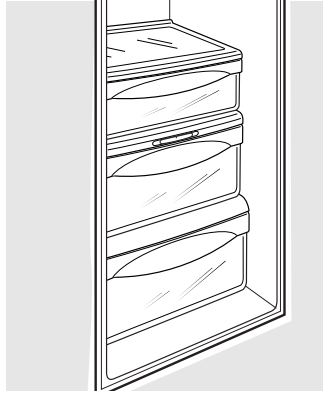
Installation Instructions

Troubleshooting Tips

Consumer Support

About the storage drawers.

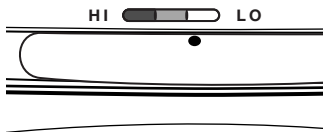
Not all features are on all models.



Storage Drawers

Excess water that may accumulate in the bottom of the drawers should be wiped dry.

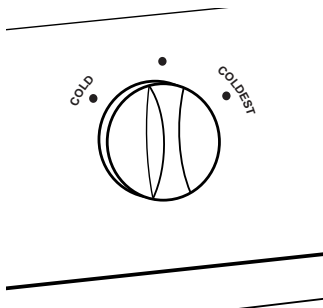
On some models the bottom drawer has a cover that slides back as the drawer is opened. This allows full access to the drawer. As the drawer is closed, the cover will slide forward into its original position.



Adjustable Humidity Drawers

Slide the control all the way to the **HI** setting to provide high humidity recommended for most vegetables.

Slide the control all the way to the **LO** setting to provide lower humidity levels recommended for most fruits.



Convertible Meat Drawer

The convertible meat drawer has its own cold air duct to allow a stream of cold air from the freezer compartment to flow to the drawer.

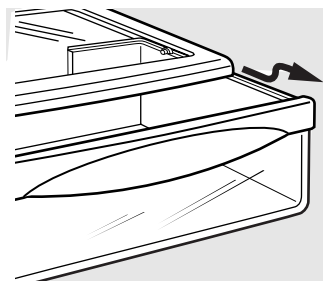
The variable temperature control regulates the air flow from the Climate Keeper.

Set the control to the **coldest** setting to store fresh meats. If the control is left in the meat position for a long period of time, some frost may form at the back of the drawer.

Set the control to **cold** to convert the drawer to normal refrigerator temperature and provide extra vegetable storage space. The cold air duct is turned off. Variable settings between these extremes can be selected.

About storage drawer removal.

Not all features are on all models.

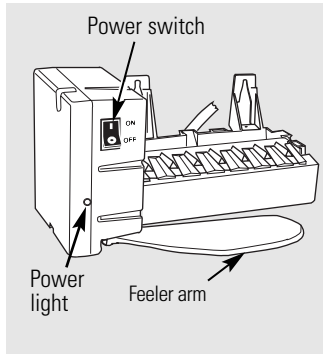


Drawer Removal

Drawers can easily be removed by pulling the drawer straight out and lifting the drawer up and over the **stop** location.

If the door prevents you from taking out the drawers, first try to remove the door bins. If this does not offer enough clearance, the refrigerator will need to be rolled forward until the door opens enough to slide the drawers out. In some cases, when you roll the refrigerator out, you will need to move the refrigerator to the left or right as you roll it out.

A newly-installed refrigerator may take 12 to 24 hours to begin making ice.



Automatic Icemaker

The icemaker will produce seven cubes per cycle—approximately 100–130 cubes in a 24-hour period, depending on freezer compartment temperature, room temperature, number of door openings and other use conditions.

If the refrigerator is operated before the water connection is made to the icemaker, set the power switch in the **OFF** position.

When the refrigerator has been connected to the water supply, set the power switch to the **ON** position.

The icemaker will fill with water when it cools to freezing. A newly-installed refrigerator may take 12 to 24 hours to begin making ice cubes.

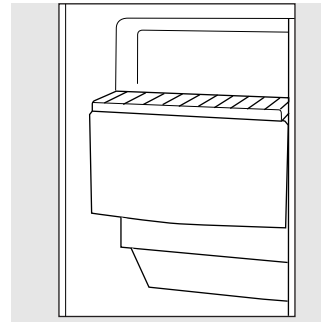
Throw away the first few batches of ice to allow the water line to clear.

Be sure nothing interferes with the sweep of the feeler arm.

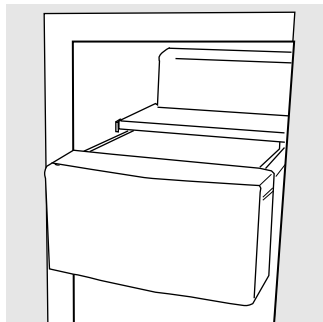
When the bin fills to the level of the feeler arm, the icemaker will stop producing ice.

It is normal for several cubes to be joined together.

If ice is not used frequently, old ice cubes will become cloudy, taste stale and shrink.



There is an upper freezer shelf above the icemaker that can be used for storage.



Ice Storage Drawer

To access ice, pull the drawer forward.

To remove the drawer, pull it straight out and lift it past the **stop** location.

About the ice and water dispenser.

On some models



To Use the Dispenser

Select **CUBED ICE** , **CRUSHED ICE**  or **WATER** .

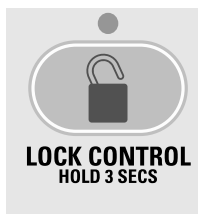
Press the glass gently against the top of the dispenser cradle.

The spill shelf is not self-draining. To reduce water spotting, the shelf and its grille should be cleaned regularly.

If no water is dispensed when the refrigerator is first installed, there may be air in the water line system. Press the dispenser arm for at least two minutes to remove trapped air from the water line and to fill the water system. To flush out impurities in the water line, throw away the first six glassfuls of water.

CAUTION: Never put fingers or any other objects into the ice crusher discharge opening.

Locking the Dispenser



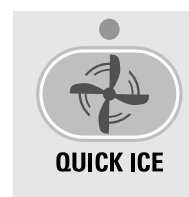
Press the **LOCK CONTROL** pad for 3 seconds to lock the dispenser and control panel. To unlock, press and hold the pad again for 3 seconds.

Dispenser Light



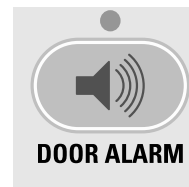
This pad turns the **night light** in the dispenser on and off. The light also comes on when the dispenser cradle is pressed. If this light burns out, it should be replaced with a 6 watt maximum bulb.

Quick Ice



When you need ice in a hurry, press this pad to speed up ice production. This will increase ice production for the following 48 hours or until you press the pad again.

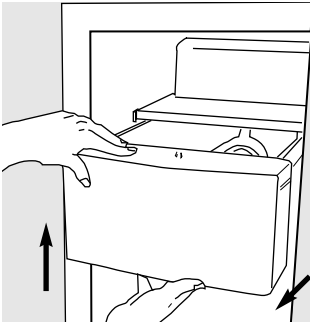
Door Alarm



To set the alarm, press this pad until the indicator light comes on. This alarm will sound if either door is open for more than 3 minutes. The light goes out and the beeping stops when you close the door.

Important Facts About Your Dispenser

- Do not add ice from trays or bags to the storage drawer. It may not crush or dispense well.
- Avoid overfilling glass with ice and use of narrow glasses. Backed-up ice can jam the chute or cause the door in the chute to freeze shut. If ice is blocking the chute, poke it through with a wooden spoon.
- Beverages and foods should not be quick-chilled in the ice storage drawer. Cans, bottles or food packages in the storage drawer may cause the icemaker or auger to jam.
- To keep dispensed ice from missing the glass, put the glass close to, but not touching, the dispenser opening.
- Some crushed ice may be dispensed even though you selected **CUBED ICE**. This happens occasionally when a few cubes accidentally get directed to the crusher.
- After crushed ice is dispensed, some water may drip from the chute.
- Sometimes a small mound of snow will form on the door in the ice chute. This condition is normal and usually occurs when you have dispensed crushed ice repeatedly. The snow will eventually evaporate.



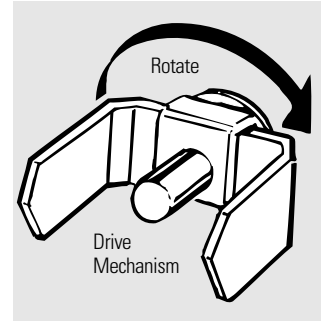
Ice Storage Drawer on Dispenser Models

To remove:

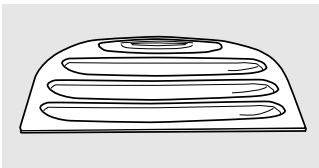
Set the icemaker power switch to the **OFF** position. Pull the drawer straight out and then lift past the **stop** position.

To replace:

When replacing the drawer, be sure to press it firmly into place. If it does not go all the way back, remove it and rotate the drive mechanism 1/4 turn. Then push the drawer back again.



Care and cleaning of the refrigerator.



Dispenser drip area.

Cleaning the Outside

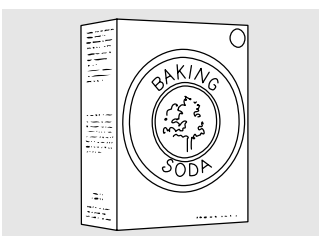
The dispenser drip area, (on some models) beneath the grille, should be wiped dry. Water left in this area may leave deposits. Remove the deposits by adding undiluted vinegar to the well. Soak until the deposits disappear or become loose enough to rinse away.

The dispenser cradle (on some models). Before cleaning, lock the dispenser by pressing and holding the **LOCK CONTROL** pad for 3 seconds. Clean with warm water and baking soda solution—about a tablespoon (15 ml) of baking soda to a quart (1 liter) of water. Rinse thoroughly and wipe dry.

The door handles and trim. Clean with a cloth dampened with soapy water. Dry with a soft cloth.

Keep the outside clean. Wipe with a clean cloth lightly dampened with kitchen appliance wax or mild liquid dish detergent. Dry and polish with a clean, soft cloth.

Do not wipe the refrigerator with a soiled dish cloth or wet towel. These may leave a residue that can erode the paint. Do not use scouring pads, powdered cleaners, bleach or cleaners containing bleach because these products can scratch and weaken the paint finish.



Cleaning the Inside

To help prevent odors, leave an open box of baking soda in the fresh food and freezer compartments.

Unplug the refrigerator before cleaning. If this is not practical, wring excess moisture out of sponge or cloth when cleaning around switches, lights or controls.

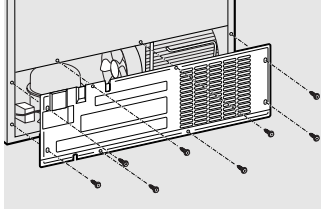
Use warm water and baking soda solution—about a tablespoon (15 ml) of baking soda to a quart (1 liter) of water. This both cleans and neutralizes odors. Rinse and wipe dry.

After cleaning the door gaskets, apply a thin layer of petroleum jelly to the door gaskets at the hinge side. This helps keep the gaskets from sticking and bending out of shape.

Avoid cleaning cold glass shelves with hot water because the extreme temperature difference may cause them to break. Handle glass shelves carefully. Bumping tempered glass can cause it to shatter.

Do not wash any plastic refrigerator parts in the dishwasher.

Care and cleaning of the refrigerator.



Condenser

There is no need for routine condenser cleanings in normal home operating environments. However, in environments that may be particularly dusty or greasy, the condenser should be cleaned periodically for efficient refrigerator operation.

Cleaning the condenser:

The condenser is located inside the back of the refrigerator. To access it, remove the cover. The condenser is on the right side. For best results, use a brush specially designed for cleaning condensers. They are available at most appliance part stores.

Behind the Refrigerator

Be careful when moving the refrigerator away from the wall. All types of floor coverings can be damaged, particularly cushioned coverings and those with embossed surfaces.

When pushing the refrigerator back, make sure you don't roll over the power cord or icemaker supply line (on some models).

Pull the refrigerator straight out and return it to position by pushing it straight in. Moving the refrigerator in a side direction may result in damage to the floor covering or refrigerator.

Preparing for Vacation

For long vacations or absences, remove food and unplug the refrigerator. Set each control to **0**, and clean the interior with a baking soda solution of one tablespoon (15 ml) of baking soda to one quart (1 liter) of water. Leave the doors open.

If the temperature can drop below freezing, have a qualified servicer drain the water supply system (on some models) to prevent serious property damage due to flooding.

Set the icemaker power switch to the **OFF** position and shut off the water supply to the refrigerator.

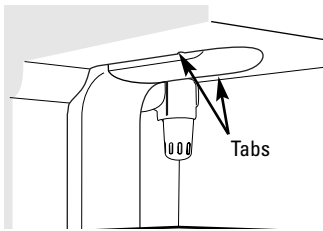
Preparing to Move

Secure all loose items such as shelves and drawers by taping them securely in place to prevent damage.

When using a hand truck to move the refrigerator, do not rest the front or back of the refrigerator against the hand truck. This could damage the refrigerator. Handle only from the sides of the refrigerator.

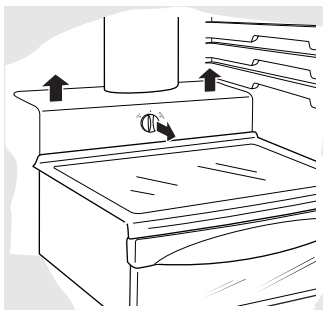
Be sure the refrigerator stays in an upright position during moving.

Setting either or both controls to **0** does not remove power to the light circuit.



Refrigerator Compartment—Upper Light

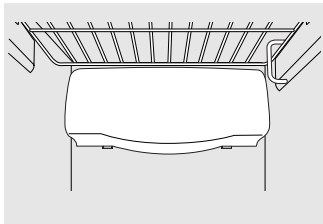
- 1 Unplug the refrigerator.
- 2 The bulbs are located at the top of the compartment, inside the light shield. On some models, a screw at the front of the light shield will have to be removed.
- 3 To remove the light shield, press in on the tabs on the sides of the shield and slide forward and out.
- 4 After replacing the bulb with an appliance bulb of the same or lower wattage, replace the light shield and screws (on some models). When replacing the light shield, make sure that the tabs at the back of the shield fit into the slots at the back of the light shield housing.
- 5 Plug the refrigerator back in.



Refrigerator Compartment—Lower Light

This light is located above the top drawer.

- 1 Unplug the refrigerator.
- 2 Remove the convertible meat drawer control knob by pulling straight out.
- 3 Lift the light shield up and pull it out.
- 4 After replacing the bulb with an appliance bulb of the same or lower wattage, replace the shield and the knob.
- 5 Plug the refrigerator back in.



Freezer Compartment

- 1 Unplug the refrigerator.
- 2 Remove the shelf just above the light shield. (The shelf will be easier to remove if it is emptied first.) On some models, a screw at the top of the light shield will need to be removed.
- 3 To remove the light shield, press in on the sides, and lift up and out.
- 4 Replace the bulb with an appliance bulb of the same or lower wattage, and reinstall the light shield. When reinstalling the light shield, make sure the top tabs snap securely into place. Replace the screw (on some models).
- 5 Reinstall the shelf and plug the refrigerator back in.

Dispenser

- 1 Unplug the refrigerator.
- 2 The bulb is located on the dispenser under the control panel. Remove the light bulb by turning it counterclockwise.
- 3 Replace the bulb with a bulb of the same size and wattage.
- 4 Plug the refrigerator back in.

Preparing to install the refrigerator.

Read these instructions completely and carefully.



Water Supply to the Icemaker

The icemaker will have to be connected to a cold water line.

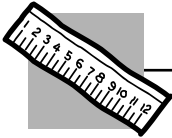
You can order a water supply kit (containing copper tubing, shutoff valve, fittings and instructions) by visiting our Website at www.GEAppliances.com or from Parts and Accessories, 800-626-2002.



Refrigerator Location

Do not install the refrigerator where the temperature will go below 60°F (16°C) because it will not run often enough to maintain proper temperatures.

Install it on a floor strong enough to support it fully loaded.



Clearances

Allow the following clearances for ease of installation, proper air circulation and plumbing and electrical connections:

	21' and 23'	25', 27', and 29'
Sides	1/8" (4 mm)	1/8" (4 mm)
Top	1" (25 mm)	1" (25 mm)
Back	1/2" (13 mm)	1" (25 mm)

If the refrigerator is against a wall on either side, allow the following door clearances:

21', 23', 25', and 27' models with flat doors:	2 5/8" (67 mm)
25' and 27' models with bowed doors:	3 1/16" (94 mm)
29' models with flat doors:	4 5/16" (110 mm)
29' models with bowed doors:	5 3/8" (70 mm)

Rollers

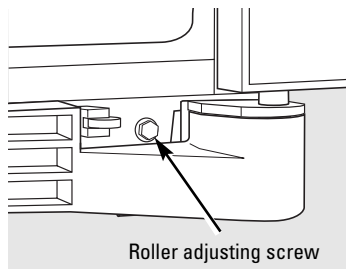
The rollers have 3 purposes:

- 1 Rollers adjust so the door closes easily when opened about halfway. [Raise the front about 5/8" (15 mm) from the floor.]
- 2 Rollers adjust so the refrigerator is firmly positioned on the floor and does not wobble.
- 3 Rollers allow you to move the refrigerator away from the wall for cleaning.

Final leveling adjustments should be made after the refrigerator has been installed.

To adjust the rollers on 25', 27', and 29' models:

Turn the roller adjusting screws **clockwise to raise** the refrigerator, **counterclockwise to lower** it. Use a 3/8" hex socket or wrench, or an adjustable wrench.

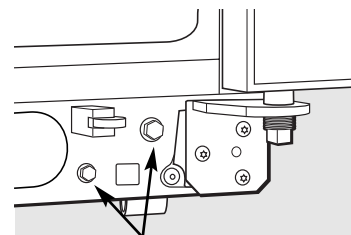


Roller adjusting screw

To adjust the rollers on 21' and 23' models:

Remove the base grille by opening the doors, removing the screws at each end, and pulling it straight out.

Turn the front roller adjusting screws **clockwise to raise** the refrigerator, **counterclockwise to lower** it. Use a 3/8" hex socket or wrench, or an adjustable wrench.



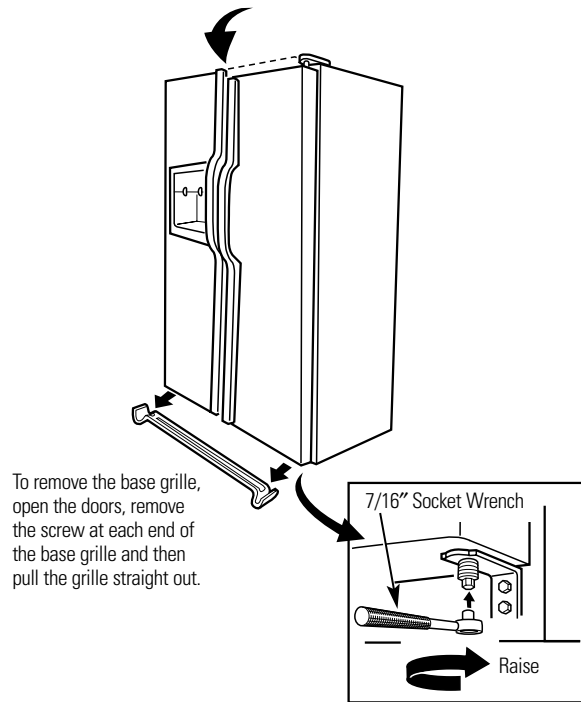
Roller adjusting screws

These models also have rear adjustable rollers so you can align the refrigerator with your kitchen cabinets. Use a long-handled 5/16" socket wrench to turn the screws for the rear rollers—**clockwise to raise** the refrigerator, **counterclockwise to lower** it.

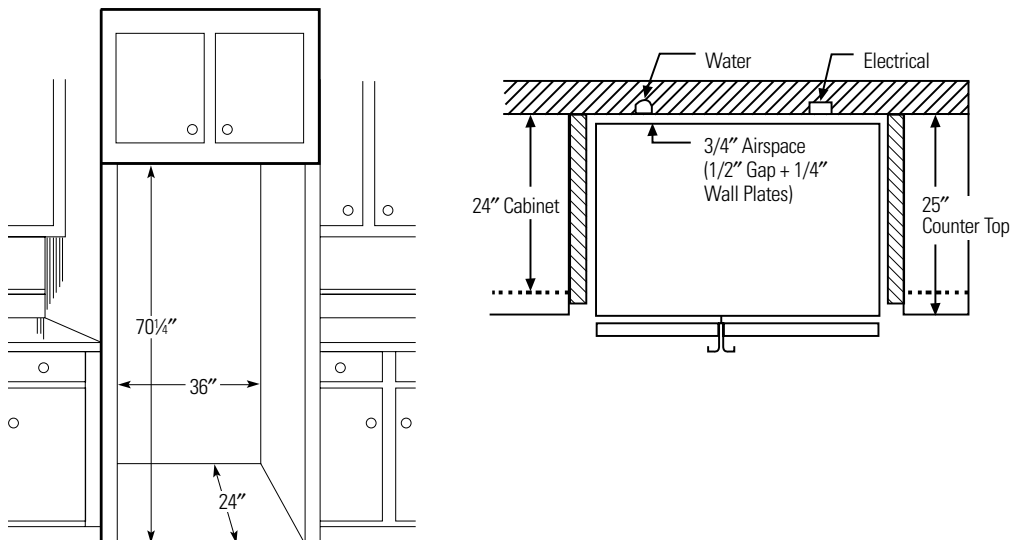
Door Alignment

After leveling, make sure that doors are even at the top.

To make the doors even, adjust the fresh food door. Using a $7/16''$ socket wrench, turn the door adjusting screw to the right to raise the door, to the left to lower it. (A nylon plug, imbedded in the threads of the pin, prevents the pin from turning unless a wrench is used.) After one or two turns of the wrench, open and close the fresh food door and check the alignment at the top of the doors.



Dimensions and Specifications (for CustomStyle models)



Trim kits and decorator panels.

For CustomStyle models

Read these instructions completely and carefully.



Before You Begin

Some models are equipped with trim kits that allow you to install door panels. You can order pre-cut black, white, almond, bisque, or stainless steel decorator panels from GE Parts and Accessories, 800-626-2002, or you can add wood panels to match your kitchen cabinets.

Panels less than 1/4" (6 mm) thick

When installing wood panels less than 1/4" (6 mm) thick, you need to create a filler panel, such as 1/8" cardboard, that will fit between the face of the door and the wood panel. If you are installing the pre-cut decorator panels, pre-cut filler panels are included in the kit. The combined thickness of the decorator or wood panel and the filler panel should be 1/4" (6 mm).

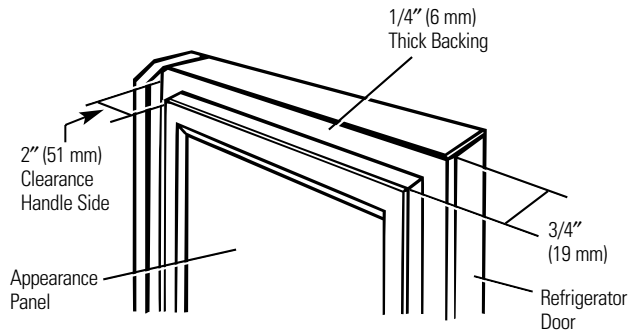
3/4" (19 mm) or Raised Panel

A raised panel design screwed or glued to a 1/4" (6 mm) thick backing, or a 3/4" (19 mm) routed board can be used. The raised portion of the panel must be fabricated to permit clearances of at least 2" (51 mm) from the handle side for fingertip clearance.

Weight limitations for custom panels:

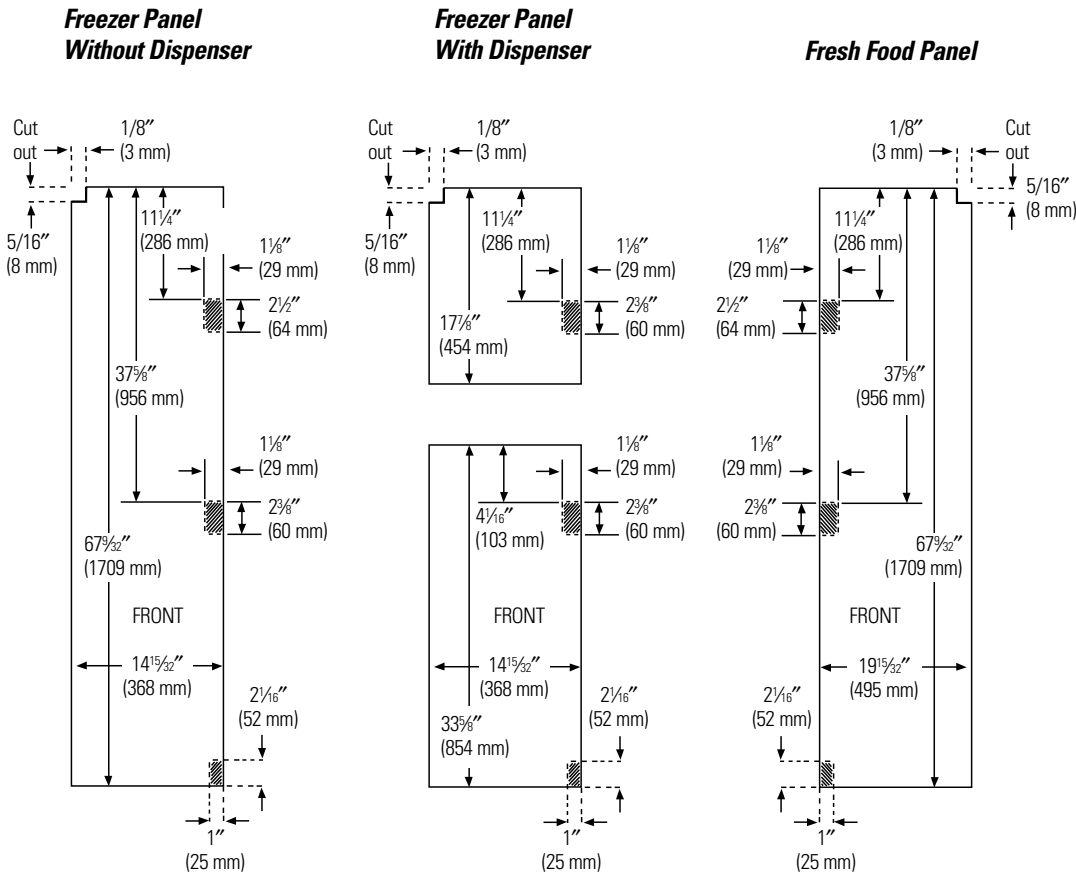
Fresh Food 38 lb. (17 kg) max.

Freezer Door 28 lb. (13 kg) max.

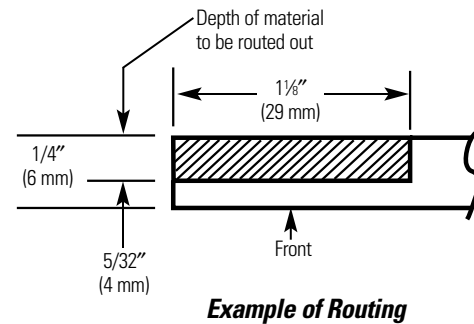


Trim kits.

Dimensions for Custom Wood Panels



The areas at the top of the panels need to be cut out of the panels. The shaded areas indicate areas that must be routed out about 5/32" (4 mm) on the back side of panels 1/4" (6 mm) thick or more. For panels less than 1/4" (6 mm) thick, these areas can be cut out of the filler panels.



Inserting the door panels.

Read these instructions completely and carefully.

1 Loosen the Top Trim on the Freezer and Fresh Food Doors.

Using a T-20 Torx driver, loosen the two screws attaching the Top Trim about 1/4" (6 mm).

2 Insert the Freezer Panel and Fresh Food Panel.

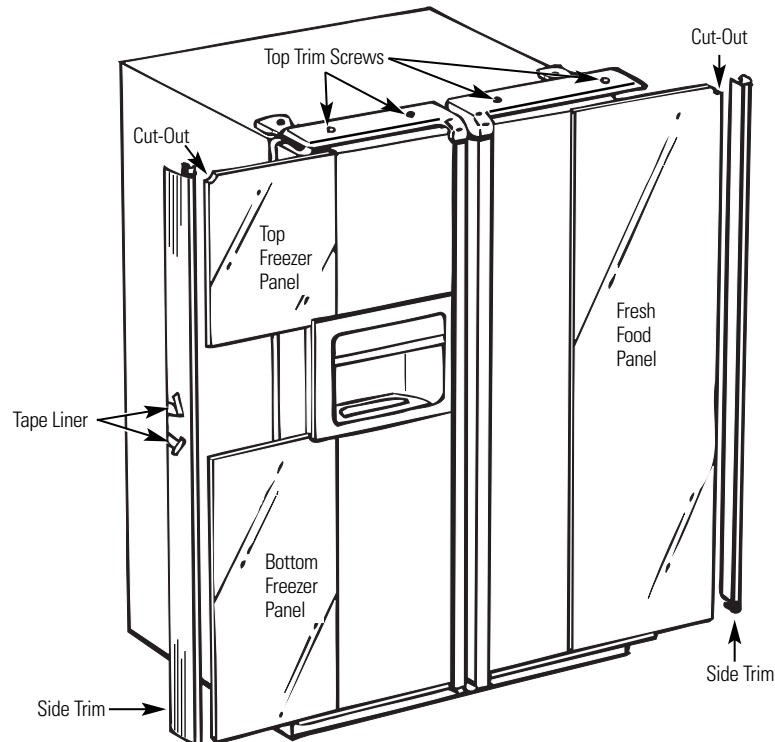
Lift the Top Trim up 1/4" (6 mm) and carefully push the freezer panel in until it slides into the slot behind the door handle. Push the filler panel (required with some door panels) in behind the decorator panel. Repeat for fresh food panel.

If your model has a dispenser and/or a Refreshment Center, this step only applies to the top panels.

3 Insert the Bottom Panel (for models with a dispenser and/or a Refreshment Center).

Carefully push the panel in until it slides into the slot behind the door handle. Push the filler panel (required with some door panels) in behind the decorator panel.

4 Hand tighten the two screws on the Top Trim.



5 Install the Side Trim.

These pieces are tucked inside the fresh food door handle.

Do not remove the protective film on the outside of the Side Trim until the Side Trim is installed.

Fit the bottom of the Side Trim under the Bottom Trim as illustrated.

Hold the Side Trim against the front face of the decorator panels and fit the Side Trim under the Top Trim. Make sure the Side Trim is fitted correctly and that you are satisfied with the appearance of all the parts before pulling the tape liner.

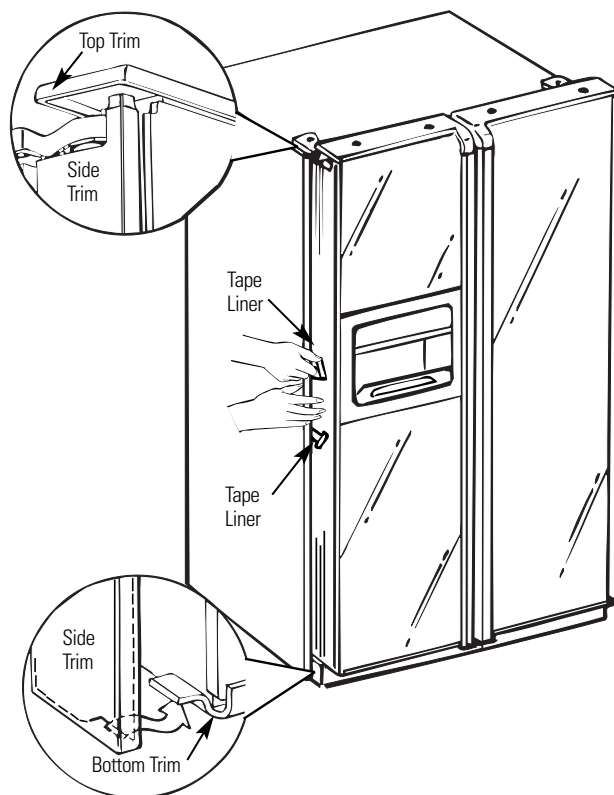
6 Secure the Side Trim.

Place one hand between the two pieces of tape liner and hold the Side Trim firmly against the panels and the side of the door.

Continue pulling the tape liner loose, alternating between the top and bottom and pressing the Side Trim against the door.

Pull the top tape liner up about 3" (80 mm), pressing the trim with your hand as the adhesive is exposed to the door. Then pull the bottom tape liner down about 3" (80 mm). Follow the tape with your hand, pressing the trim adhesive against the door.

7 Remove the Protective Film From the Outside of the Side Trim.



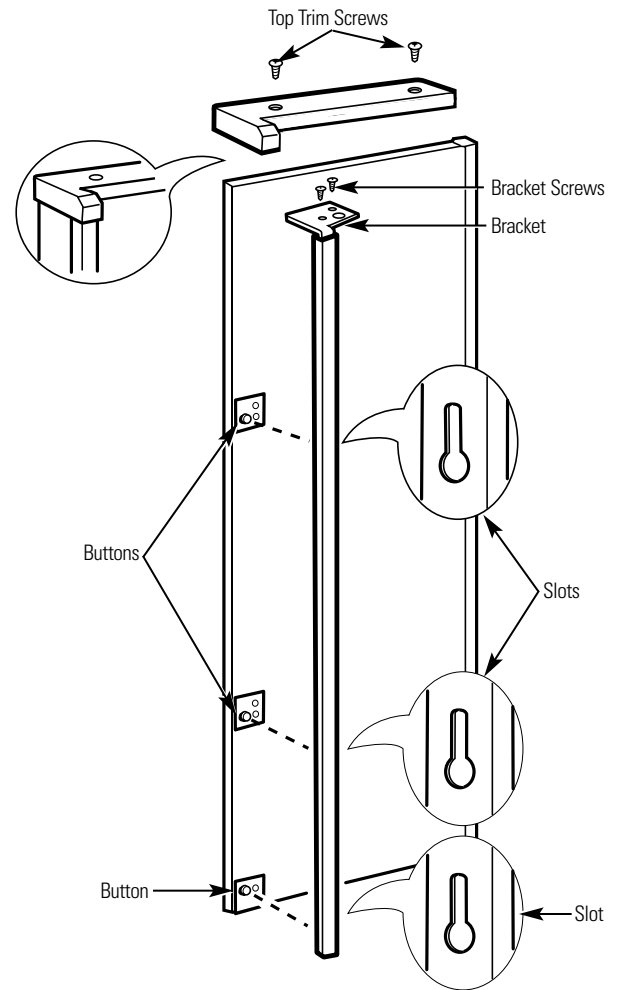
Installing and removing previously installed decorator panels.

Read these instructions completely and carefully.

Removing the Handles

In order to remove the decorator panels and replace with new panels you need to remove the handles. A T-20 Torx driver is needed.

- 1 Loosen and remove the 2 screws in the Top Trim.
- 2 Loosen and remove the 2 screws in the bracket that attaches the Handle to the top of the Door.
- 3 Grip the Handle firmly and slide upwards. The keyhole slots on the Handle slide off the buttons on the door.
- 4 Open the door and slide out the decorator panels.



Inserting the Door Panels

Before installing the decorator panels, make sure they have been routed out in the proper areas as shown in the beginning of this section. Slide in the panels to perform a trial fit before fastening down the Handle and Top Trim.

Installing the Handles

Once the panels are fitted properly, install the Handle and Top Trim.

- 1 Slide the keyhole slots on the Handle down onto the buttons mounted to the face of the door. Slide the Handle downward until the bracket at the top of the Handle fits flush on the top of the door.
- 2 Replace the two screws in the bracket that attach the Handle to the top of the Door and tighten the screws to 45 in-lbs torque.
- 3 Replace the Top Trim making sure it fits over the Side Trim and that the locating tabs fit the inside of the Handle profile.
- 4 Replace the Top Trim screws and tighten to 30 in-lbs torque.

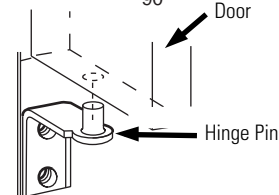
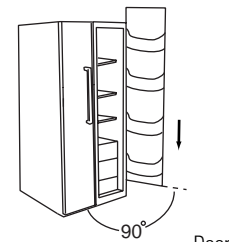
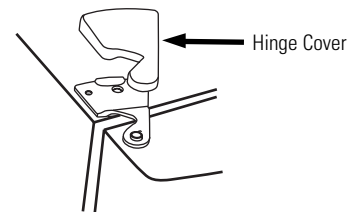
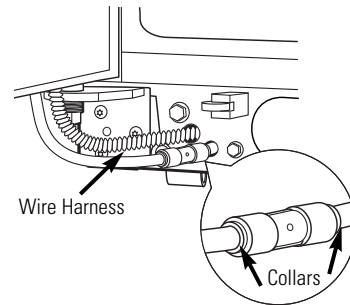
Removing and replacing the doors.

When installing or moving the refrigerator, the doors may need to be removed in order to fit the refrigerator through a doorway.

Removing the Doors

Make sure the doors are closed.

- 1 Disconnect water line and wiring harness.**
Near the lower hinge on the freezer side, push in on the collars at each end of the coupling, and pull the water line tubing from the coupling. Also, disconnect wiring harness. Pull the water line and the harness through the lower rail.
- 2 Remove the hinge covers and the hinges.**
In order to access the hinges, the hinge covers need to be removed. Remove the cover by grasping it on the sides, near the back of the cover. Push back on the cover and lift up at the back, then the front.
NOTE: DO NOT use a screwdriver to remove the cover. BE CAREFUL not to break the rear retaining tab on the hinge cover. Remove the hinges using a Torx T-20.
- 3 Remove the doors.**
Carefully rotate the door to 90°. Guiding the disconnected water line and wiring harness, lift the door straight up.
NOTE: Not lifting the door straight up may damage the bottom hinge. Place doors on a protected surface.
NOTE: Be careful not to pinch the water tubing and the wire harness at the bottom of the door.



Replacing the Doors

- 1 Place doors on bottom hinges.**
With the door at 90°, lower the door straight down onto the bottom hinge. Carefully close the door.
NOTE: Not lowering the door straight down onto the bottom hinge may damage the hinge.
- 2 Replace top hinges and hinge covers.**
Reinstall the top hinges using a Torx T-20. Replace the hinge covers. If the doors are not level, adjust the bottom right hinge with a 7/16" open ended wrench.
- 3 Reconnect water line and wiring harness.**
Insert water tubing back into coupling, making sure the tubing is pushed far enough into the coupling so that you no longer see the mark on the tubing. Reconnect the wiring harness.
- 4 Turn on the water supply.**

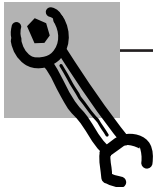
Installing the water line.

Read these instructions completely and carefully.



Before You Begin

- When connecting a GE Reverse Osmosis Water System to your refrigerator, the only approved installation is with a GE RVKIT.
- If the water supply to the refrigerator is from a Reverse Osmosis Water Filtration System AND the refrigerator also has a water filter, use the refrigerator's filter bypass plug. Using the refrigerator's water filtration cartridge in conjunction with the RO filter can result in hollow ice cubes and slower water flow from the water dispenser.
- This water line installation is not warranted by the refrigerator or icemaker manufacturer. Follow these instructions carefully to minimize the risk of expensive water damage.
- Water hammer (water banging in the pipes) in house plumbing can cause damage to refrigerator parts and lead to water leakage or flooding. Call a qualified plumber to correct water hammer before installing the water supply line to the refrigerator.
- To prevent burns and product damage, do not hook up the water line to the hot water line.
- If you use your refrigerator before connecting the water line, make sure the icemaker power switch is set to the **OFF** position.
- Do not install the icemaker tubing in areas where temperatures fall below freezing.
- When using any electrical device (such as a power drill) during installation, be sure the device is insulated or wired in a manner to prevent the hazard of electric shock.
- All installations must be in accordance with local plumbing code requirements.



What You Will Need

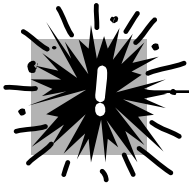
To determine how much copper tubing you need:

Measure the distance from the water valve on the back of the refrigerator to the water supply pipe. Then add 8 feet (244 cm). Be sure there is sufficient extra tubing [about 8 feet (244 cm) coiled into 3 turns of about 10 inches (25 cm) diameter] to allow the refrigerator to move out from the wall after installation.

- **A water supply kit** (containing copper tubing, shutoff valve and fittings listed below) is available at extra cost from your dealer or from Parts and Accessories, 800-626-2002.
- **Cold water supply.** The water pressure must be between 20 and 120 p.s.i. (1.4–8.2 bar) on models without a water filter and between 40 and 120 p.s.i. (2.8–8.2 bar) on models with a water filter.
- **Power drill.**
- **Copper tubing**, 1/4" outer diameter to connect the refrigerator to the water supply. Be sure both ends of the tubing are cut square.

Do not use plastic tubing or plastic fittings because the water supply line is under pressure at all times. Certain types of plastic tubing may become brittle with age and crack, resulting in water leakage.

- **Two 1/4" outer diameter compression nuts and 2 ferrules (sleeves)**—to connect the copper tubing to the shutoff valve and the refrigerator water valve.
- If your existing water line has a flared fitting at the end, you will need an **adapter** (available at plumbing supply stores) to connect the water line to the refrigerator **OR** you can cut off the flared fitting with a **tube cutter** and then use a compression fitting.
- **Shutoff valve** to connect to the cold water line. The shutoff valve should have a water inlet with a minimum inside diameter of 5/32" at the point of connection to the **COLD WATER LINE**. Saddle-type shutoff valves are included in many water supply kits. Before purchasing, make sure a saddle-type valve complies with your local plumbing codes.



Shut Off the Main Water Supply

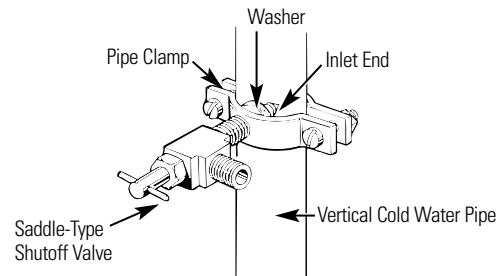
Turn on the nearest faucet long enough to clear the line of water.

Install the Shutoff Valve

- 1 Install the shutoff valve on the nearest frequently used drinking water line.
- 2 Choose a location for the valve that is easily accessible. It is best to connect into the side of a vertical water pipe. When it is necessary to connect into a horizontal water pipe, make the connection to the top or side, rather than at the bottom, to avoid drawing off any sediment from the water pipe.
- 3 Drill a 1/4" hole in the water pipe, using a sharp bit. Remove any burrs resulting from drilling the hole in the pipe.
- 4 Fasten the shutoff valve to the cold water pipe with the pipe clamp.

- 5 Tighten the clamp screws until the sealing washer begins to swell.

Do not overtighten or you may crush the copper tubing.



NOTE: Commonwealth of Massachusetts Plumbing Codes 248CMR shall be adhered to. Saddle valves are illegal and use is not permitted in Massachusetts. Consult with your licensed plumber.

Route the Copper Tubing and Connect It to the Shutoff Valve

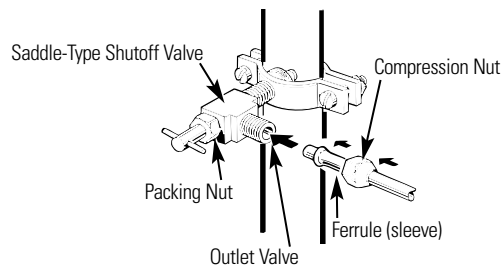
Route the copper tubing between the cold water line and the refrigerator.

Route the tubing through a hole drilled in the wall or floor (behind the refrigerator or adjacent base cabinet) as close to the wall as possible.

Be sure there is sufficient extra tubing [about 8' (244 cm) coiled into 3 turns of about 10" (25 cm) diameter] to allow the refrigerator to move out from the wall after installation.

Place the compression nut and ferrule (sleeve) onto the end of the tubing and connect it to the shutoff valve.

Make sure the tubing is fully inserted into the valve. Tighten the compression nut securely.



NOTE: Commonwealth of Massachusetts Plumbing Codes 248CMR shall be adhered to. Saddle valves are illegal and use is not permitted in Massachusetts. Consult with your licensed plumber.

Turn On the Water and Flush Out the Tubing

- 1 Turn the main water supply on and flush out the tubing until the water is clear.
- 2 Shut the water off at the water valve after about one quart (1 l) of water has been flushed through the tubing.

Installing the water line.

Read these instructions completely and carefully.

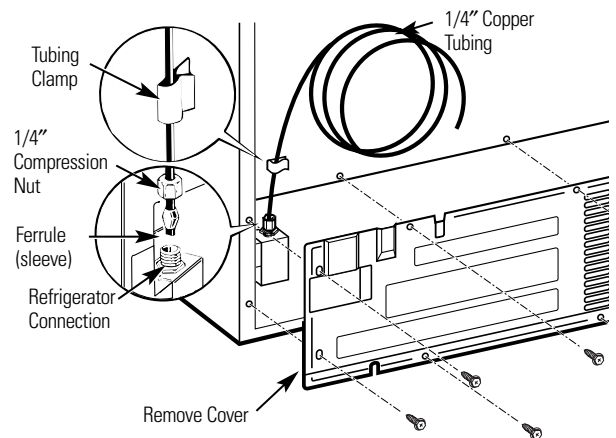
Connect the Tubing to the Refrigerator

Before making the connection to the refrigerator, be sure the refrigerator power cord is not plugged into the wall outlet.

If your refrigerator does not have a water filter, we recommend installing one if your water supply has sand or particles that could clog the screen of the refrigerator's water valve. Install it in the water line near the refrigerator.

- 1 Remove access cover.
- 2 Remove the plastic flexible cap from the water valve (refrigerator connection).
- 3 Place the compression nut and ferrule (sleeve) onto the end of the tubing as shown.
- 4 Insert the end of the copper tubing into the water valve refrigerator connection as far as possible. While holding the tubing, tighten the fitting.
- 5 Fasten the copper tubing into the clamp provided to hold it in position. You may need to pry open the clamp.
- 6 Replace access cover.

The illustration below will look like the connection on your refrigerator.



Turn the Water On at the Shutoff Valve

- 1 Tighten any connections that leak.
- 2 Replace the access cover and screws (on some models).

Plug In the Refrigerator

Arrange the coil of copper tubing so that it does not vibrate against the back of the refrigerator or against the wall.

Push the refrigerator back to the wall.

Start the Icemaker

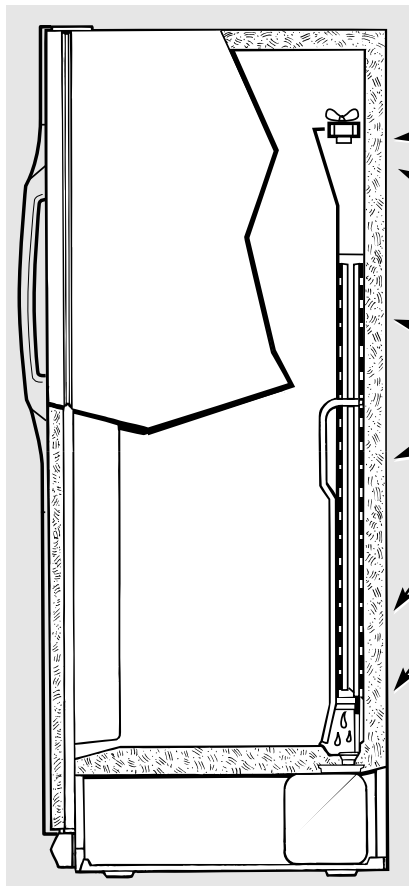
Set the icemaker power switch to the **ON** position. The icemaker will not begin to operate until it reaches its operating temperature of 15°F (-9°C) or below. It will then begin operation automatically if the icemaker power switch is in the **ON** position.

NOTE: In lower water pressure conditions, the water valve may turn on up to 3 times to make sure enough water reaches the icemaker.

Normal operating sounds.



These sounds are normal and are due mostly to highly efficient operation.



The new high efficiency compressor runs faster and will have a higher pitch hum or pulsating sound while operating.

The fans circulating air inside the freezer and refrigerator compartments which keep the temperatures uniform throughout.

The fans operating at a high speed. This happens when the refrigerator is first plugged in, when the doors are opened frequently, or when a large amount of food is added to the refrigerator or freezer compartments.

Water dropping on the defrost heater causing a sizzling, hissing or popping sound during the defrost cycle.

The flow of refrigerant through the freezer cooling coils sounds like boiling water or a gurgling noise.

Cracking or popping of cooling coils caused by expansion and contraction during defrost and refrigeration following defrost.

Water dripping as it melts from the evaporator and flows to the drain pan during the defrost cycle.

Icemaker (on some models)

The icemaker water valve will buzz when the icemaker fills with water. If the power switch is in the **ON** position it will buzz even if it has not yet been hooked up to water. Keeping the power switch in the **ON** position before it is hooked up to water can damage the icemaker. To prevent this, set the power switch to the **OFF** position. This will stop the buzzing.

The sound of cubes dropping into the bin and water running in pipes as icemaker refills.

Before you call for service...



Troubleshooting Tips
Save time and money! Review the charts on the following pages first and you may not need to call for service.

Problem	Possible Causes	What To Do
Refrigerator does not operate	Refrigerator in defrost cycle.	• Wait about 30 minutes for defrost cycle to end.
	Either or both controls set to 0 .	• Set the controls to a temperature setting.
	Refrigerator is unplugged.	• Push the plug completely into the outlet.
	The fuse is blown/ circuit breaker is tripped.	• Replace fuse or reset the breaker.
Vibration or rattling (slight vibration is normal)	Rollers need adjusting.	• See <i>Rollers</i> .
Motor operates for long periods or cycles on and off frequently. (Modern refrigerators with more storage space and a larger freezer require more operating time. They start and stop often to maintain even temperatures.)	Normal when refrigerator is first plugged in.	• Wait 24 hours for the refrigerator to completely cool down.
	Often occurs when large amounts of food are placed in refrigerator.	• This is normal.
	Door left open.	• Check to see if package is holding door open.
	Hot weather or frequent door openings.	• This is normal.
	Temperature controls set at the coldest setting.	• See <i>About the controls</i> .
Fresh food or freezer compartment too warm	Temperature control not set cold enough.	• See <i>About the controls</i> .
	Warm weather or frequent door openings.	• Set the temperature control one step colder. See <i>About the controls</i> .
	Door left open.	• Check to see if package is holding door open.
Frost or ice crystals on frozen food (frost within package is normal)	Door left open.	• Check to see if package is holding door open.
	Too frequent or too long door openings.	
Divider between fresh food and freezer compartments feels warm	Automatic energy saver system circulates warm liquid around front edge of freezer compartment.	• This helps prevent condensation on the outside.
Automatic icemaker does not work	Icemaker power switch is in the OFF position.	• Set the power switch to the ON position.
	Water supply turned off or not connected.	• See <i>Installing the water line</i> .
	Freezer compartment too warm.	• Wait 24 hours for the refrigerator to completely cool down.
	Piled up cubes in the storage bin cause the icemaker to shut off.	• Level cubes by hand.
	Ice cubes stuck in icemaker. (Green power light on icemaker blinking).	• Turn off the icemaker, remove cubes, and turn the icemaker back on.

Problem	Possible Causes	What To Do
Ice cubes have odor/taste	Ice storage bin needs cleaning.	• Empty and wash bin. Discard old cubes.
	Food transmitting odor/taste to ice cubes.	• Wrap foods well.
	Interior of refrigerator needs cleaning.	• See <i>Care and cleaning</i> .
Small or hollow cubes	Water filter clogged.	• Replace filter cartridge with new cartridge or with plug.
Slow ice cube freezing	Door left open.	• Check to see if package is holding door open.
	Temperature control not set cold enough.	• See <i>About the controls</i> .
Door not closing properly	Door gasket on hinge side sticking or folding over.	• Apply petroleum jelly on face of gasket.
Orange glow in the freezer	Defrost heater is on.	• This is normal.
Cube dispenser does not work (on some models)	Icemaker turned off or water supply turned off.	• Turn on icemaker or water supply.
	Ice cubes are frozen to icemaker feeler arm.	• Remove cubes and move the feeler arm to the ON position.
	Irregular ice clumps in storage container.	• Break up with fingertip pressure and discard remaining clumps. • Freezer may be too warm. Adjust the freezer control to a colder setting, one position at a time, until clumps do not form.
	Dispenser is LOCKED .	• Press and hold the LOCK CONTROL pad for 3 seconds.
Water has poor taste/odor (on some models)	Water dispenser has not been used for a long time.	• Dispense water until all water in system is replenished.
Water in first glass is warm (on some models)	Normal when refrigerator is first installed.	• Wait 24 hours for the refrigerator to completely cool down.
	Water dispenser has not been used for a long time.	• Dispense water until all water in system is replenished.
	Water system has been drained.	• Allow several hours for replenished supply to chill.
Water dispenser does not work (on some models)	Water supply line turned off or not connected.	• See <i>Installing the water line</i> .
	Water filter clogged.	• Replace filter cartridge or remove filter and install plug.
	Air may be trapped in the water system.	• Press the dispenser arm for at least two minutes.
	Dispenser is LOCKED .	• Press and hold the LOCK CONTROL pad for 3 seconds.
Water spurting from dispenser (on some models)	Newly-installed filter cartridge.	• Run water from the dispenser for 3 minutes (about one and a half gallons).
Water is not dispensed (on some models) but icemaker is working	Water in reservoir is frozen.	• Call for service.
	Refrigerator control setting is too cold.	• Set to a warmer setting.
	Ice cubes stuck in icemaker. (Green power light on icemaker blinking).	• Turn off the icemaker, remove cubes, and turn the icemaker back on.

Before you call for service...

Problem	Possible Causes	What To Do
No water or ice cube production	Supply line or shutoff valve is clogged.	• Call a plumber.
	Water filter clogged.	• Replace filter cartridge or remove filter and install plug.
	Dispenser is LOCKED .	• Press and hold the LOCK CONTROL pad for 3 seconds.
CUBED ICE was selected but CRUSHED ICE was dispensed (on some models)	Last setting was CRUSHED ICE .	• A few cubes were left in the crusher from the previous setting. This is normal.
Refrigerator has odor	Foods transmitting odor to refrigerator.	• Foods with strong odors should be tightly wrapped. • Keep an open box of baking soda in the refrigerator; replace every three months.
	Interior needs cleaning.	• See <i>Care and cleaning</i> .
	Defrost water drainage system needs cleaning.	• See <i>Care and cleaning</i> .
Moisture forms on outside of refrigerator	Not unusual during periods of high humidity.	• Wipe surface dry.
Moisture collects inside (in humid weather, air carries moisture into refrigerator when doors are opened)	Too frequent or too long door openings.	
Interior light does not work	No power at outlet.	• Replace fuse or reset the breaker.
	Light bulb burned out.	• See <i>Replacing the light bulbs</i> .
Water on kitchen floor or on bottom of freezer	Drain in the bottom of the freezer clogged.	• See <i>Care and cleaning</i> .
	Cubes jammed in chute.	• Poke ice through with a wooden spoon.
Hot air from bottom of refrigerator	Normal air flow cooling motor. In the refrigeration process, it is normal that heat be expelled in the area under the refrigerator. Some floor coverings are sensitive and will discolor at these normal and safe temperatures.	

Safety Instructions

Operating Instructions

Installation Instructions

Troubleshooting Tips

Consumer Support

CONSUMER WARRANTY

(for customers in Canada)

Your refrigerator is warranted to be free of defects in material and workmanship.

What is covered	How Long Warranted (From Date of Sale)	Parts Repair or Replace at Camco's Option	Labour
Compressor	Ten (10) Years	Ten (10) Years	Ten (10) Years
Sealed System (including evaporator, condenser tubing and refrigerant)	Five (5) Years	Five (5) Years	Five (5) Years
All Other Parts	One (1) Year	One (1) Year	One (1) Year

TERMS AND CONDITIONS:

This warranty applies only for single family domestic use in Canada when the Refrigerator has been properly installed according to the instructions supplied by Camco and is connected to an adequate and proper utility service.

Damage due to abuse, accident, commercial use, and alteration or defacing of the serial plate cancels all obligations of this warranty.

Service during this warranty must be performed by an Authorized Camco Service Agent.

Neither Camco nor the Dealer is liable for any claims or damages resulting from any failure of the Refrigerator or from service delays beyond their reasonable control.

To obtain warranty service, purchaser must present the original bill of sale. Components repaired or replaced are warranted through the remainder of the original warranty period only.

This warranty is in addition to any statutory warranty.

IMPORTANT

Keep this warranty and your bill of sale as proof of original purchase and purchase date.

Camco Service is available coast to coast.
If further help is needed concerning this warranty, contact:
Manager, Consumer Relations, Camco Inc.,
Suite 310, 1 Factory Lane, Moncton, N.B. E1C 9M3

*Staple your receipt here.
Proof of the original purchase
date is needed to obtain service
under the warranty.*

Refrigerator Warranty. *(For customers in the United States)*



All warranty service provided by our Factory Service Centers, or an authorized Customer Care® technician. To schedule service, on-line, 24 hours a day, contact us at www.GEAppliances.com, or call 800-GE-CARES.

Staple your receipt here.
Proof of the original purchase date is needed to obtain service under the warranty.

For The Period Of:

GE Will Replace:

One Year

From the date of the original purchase

Any part of the refrigerator which fails due to a defect in materials or workmanship. During this **full one-year warranty**, GE will also provide, **free of charge**, all labor and in-home service to replace the defective part.

Five Years

From the date of the original purchase

Any part of the sealed refrigerating system (the compressor, condenser, evaporator and all connecting tubing) which fails due to a defect in materials or workmanship. During this **additional four-year limited warranty**, GE will also provide, **free of charge**, all labor and in-home service to replace the defective part in the sealed refrigerating system.

Lifetime

From the date of the original purchase

Any see-through pan or drawer furnished with the refrigerator if the pan or drawer breaks during normal household use. Drawer covers are not included. During this **limited lifetime warranty**, you will be responsible for any labor or in-home service costs.

What GE Will Not Cover:

- Service trips to your home to teach you how to use the product.
- Improper installation.
- Failure of the product if it is abused, misused, or used for other than the intended purpose or used commercially.
- Loss of food due to spoilage.
- Replacement of house fuses or resetting of circuit breakers.
- Replacement of the water filter cartridge due to water pressure that is outside the specified operating range or due to excessive sediment in the water supply.
- Replacement of the water filter cartridge after its expected useful life.
- Damage to the product caused by accident, fire, floods or acts of God.
- Incidental or consequential damage caused by possible defects with this appliance.

This warranty is extended to the original purchaser and any succeeding owner for products purchased for home use within the USA. In Alaska, the warranty excludes the cost of shipping or service calls to your home.

Some states do not allow the exclusion or limitation of incidental or consequential damages. This warranty gives you specific legal rights, and you may also have other rights which vary from state to state. To know what your legal rights are, consult your local or state consumer affairs office or your state's Attorney General.

Warrantor: General Electric Company, Louisville, KY 40225

Performance Data Sheet

GE SmartWater Filtration System

GWF Cartridge

Health Claim Performance Certified by NSF/ANSI*
 (100% safety factors built in for unmetered usage)

Standard No. 42: Aesthetic Effects						
Parameter	USEPA MCL	Influent Challenge	Effluent		% Reduction	
			Average	Maximum	Average	Minimum
Chlorine	–	1.9 ppm	0.02 ppm	0.05 ppm	98.90%	97.37%
T & O	–	–	–	–	–	
Particulate**	–	200,000	3,978	7,800	98.00%	96.10%

Standard No. 53: Health Effects						
Parameter	USEPA MCL	Influent Challenge	Effluent		% Reduction	
			Average	Maximum	Average	Minimum
Turbidity	1 NTU***	24.3 NTU	0.07 NTU	0.1 NTU	99.71%	99.59%
Cysts	99.95% Reduction	105,750	26	55	99.97%	99.95%
Lead at PH 6.5	15 ppb	160 ppb	1 ppb	1 ppb	99.37%	99.37%
Lead at pH 8.5	15 ppb	150 ppb	1.8 ppb	4.3 ppb	98.80%	97.13%
Lindane	0.0002 ppm	0.00062 ppm	0.00005 ppm	0.00005 ppm	91.93%	91.93%
Atrazine	0.003 ppm	0.0084 ppm	0.002 ppm	0.003 ppm	76.19%	64.28%
2,4-D	0.100 ppm	0.272 ppm	0.0264 ppm	0.080 ppm	90.29%	70.58%
Asbestos	99%	690 MFL/ml	0.32 MFL/ml	1.2 MFL/ml	99.95%	99.82%

* Tested using a flow rate of 0.5 gpm; pressure of 120 psig; pH of 7.5±0.5; temp. of 20±2.5 C

** Measurement in particles/ml

*** NTU = Nephelometric Units

Operating Specifications

- Capacity: certified for up to 300 gallons; up to one year
- Pressure requirement: 40-120 psi (2.8-8.2 bar), non-shock
- Temperature: 33-100 F (0.6-38 C)
- Flow rate: 0.5 gpm (1.9 lpm)

General Installation/Operation/Maintenance Requirements

- Flush new cartridge at full flow for 3 minutes to purge out trapped air.
- Replace cartridge when flow becomes too slow.

Special Notices

- Installation instructions; parts and service availability; and standard warranty are included with the product when shipped.
- This drinking water system must be maintained according to manufacturer's instructions, including replacement of filter cartridges.
- Do not use with water that is microbiologically unsafe or of unknown quality without adequate disinfection before or after the system. Systems certified for cyst reduction may be used on disinfected water that may contain filterable cysts.
- The contaminants or other substances removed or reduced by this water treatment system are not necessarily in your water.
- Check for compliance with the state and local laws and regulations.

System Tested and Certified by NSF International against ANSI/NSF Standard 42 & 53 for the reduction of:	
Standard No. 42: Aesthetic Effects	Standard No. 53: Health Effects
Chemical Unit Taste and Odor Reduction Chlorine Reduction, Class I	Chemical Reduction Unit Lead and Atrazine Reduction Lindane and 2,4-D Reduction
Mechanical Filtration Unit Particulate Reduction, Class I	Mechanical Filtration Unit Turbidity Reduction Cyst and Asbestos Reduction



Manufactured for: General Electric Company, Louisville, KY 40225

State of California
Department of Health Services
Water Treatment Device
Certificate Number

00 - 1434

Date Issued: May 30, 2000

Trademark/Model Designation

GE Smart Water Filtration Systems - GWF06

Replacement Elements

GWF06

Manufacturer: General Electric Appliances

The water treatment device(s) listed on this certificate have met the testing requirements pursuant to Section 116830 of the Health and Safety Code for the following health related contaminants:

Microbiological Contaminants and Turbidity

Cysts (protozoan)
Turbidity

Inorganic/Radiological Contaminants

Asbestos
Lead

Organic Contaminants

Atrazine
Lindane
2,4-D

Rated Service Capacity: 300 gallons

Rated Service Flow: 0.5 gpm

Do not use where water is microbiologically unsafe or with water of unknown quality, except that systems claiming cyst reduction may be used on water containing cysts.

For Purchases Made In Iowa: This form must be signed and dated by the buyer and seller prior to the consummation of this sale. This form should be retained on file by the seller for a minimum of two years.

BUYER:

Name

Address

City State Zip

Signature Date

SELLER:

Name

Address

City State Zip

Signature Date

GE Service Protection Plus™

GE, a name recognized worldwide for quality and dependability, offers you Service Protection Plus™—comprehensive protection on all your appliances—**No Matter What Brand!**

***We'll Cover Any Appliance.
Anywhere. Anytime.****

Benefits Include:

- Backed by GE
- All brands covered
- Unlimited service calls
- All parts and labor costs included
- No out-of-pocket expenses
- No hidden deductibles
- One 800 number to call

You will be completely satisfied with our service protection or you may request your money back on the remaining value of your contract. No questions asked. It's that simple.

Protect your refrigerator, dishwasher, washer and dryer, range, TV, VCR and much more—**any brand!** Plus there's no extra charge for emergency service and low monthly financing is available. Even icemaker coverage and food spoilage protection is offered. You can rest easy, knowing that all your valuable household products are protected against expensive repairs.

Place your confidence in GE and call us in the U.S. toll-free at **800-626-2224** for more information.

*All brands covered, up to 20 years old, in the continental U.S.



Please place in envelope and mail to:

General Electric Company
Warranty Registration Department
P.O. Box 32150
Louisville, KY 40232-2150

Consumer Product Ownership Registration

Dear Customer:

Thank you for purchasing our product and thank you for placing your confidence in us.

We are proud to have you as a customer!

Follow these three steps to protect your new appliance investment:

1 Complete and mail your Consumer Product Ownership Registration today. Have the peace of mind of knowing we can contact you in the unlikely event of a safety modification.


2 After mailing the registration below, store this document in a safe place. It contains information you will need should you require service. Our service number is 800 GE CARES (800-432-2737).

3 Read your Owner's Manual carefully. It will help you operate your new appliance properly.

Model Number

Serial Number

Important: If you did not get a registration card with your product, detach and return the form below to ensure that your product is registered, or register online at www.GEAppliances.com.

 Cut here

Consumer Product Ownership Registration



Model Number

Serial Number

Mr. Ms. Mrs. Miss

First Name

Last Name

Street Address

Apt. #

E-mail Address

City

State

Zip Code

Date Placed In Use
Month

Day

Year

Phone Number --

Occasionally, we may allow selected companies to send you information.
 Check here if you do not want this information.



GE Appliances

General Electric Company
Louisville, Kentucky
www.GEAppliances.com

Notes.

<i>Safety Instructions</i>	<i>Operating Instructions</i>	<i>Installation Instructions</i>	<i>Troubleshooting Tips</i>	<i>Consumer Support</i>
-----------------------------------	--------------------------------------	---	------------------------------------	--------------------------------

Mesures de sécurité
Fonctionnement
Installation
Conseils de dépannage
Service à la clientèle

Mesures de sécurité

Comment vous débarrasser convenablement de votre ancien réfrigérateur39
 Cordons prolongateurs39
 Fiche d'adaptation40
 Mesures de sécurité39
 Raccordement électrique40

Fonctionnement

Autres caractéristiques45
 Clayettes et bacs43, 44
 Enlèvement des bacs de rangement46
 Entretien et nettoyage du réfrigérateur49, 50
 Le distributeur d'eau et de glaçons48
 Les commandes41
 Les filtres à eau et à FreshSaver™42
 Les tiroirs de rangement46
 Les portes du réfrigérateur45
 Machine à glaçons automatique47
 Remplacement des ampoules51

Installation

Démontage et remontage des portes59
 Ensembles de moulures et de panneaux décoratifs54-58
 Installation de la conduite d'eau60-62
 Préparation52, 53

Conseils de dépannage

Avant d'appeler un réparateur64-66
 Bruits de fonctionnement normaux63

Service à la clientèle

Feuillet de données relatives à la performance de la cartouche GWF68
 Garantie pour la clientèle au Canada67
 Numéros de service69

⚠ AVERTISSEMENT!

N'utilisez cet électroménager que pour l'usage auquel il est destiné, comme expliqué dans le présent manuel.



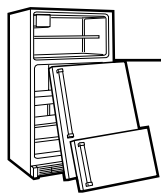
MESURES DE SÉCURITÉ

Lorsque vous utilisez un appareil électrique, observez toujours les mesures de sécurité de base, y compris les suivantes.

- Installez le réfrigérateur conformément aux directives d'installation avant de l'utiliser.
- Ne laissez pas les enfants grimper, s'asseoir, se tenir debout ni se pendre aux clayettes du réfrigérateur. Ils pourraient endommager le réfrigérateur et se blesser gravement.
- Ne touchez pas les surfaces froides du congélateur si vous avez les mains humides ou mouillées : la peau risque d'adhérer à ces surfaces très froides.
- N'entreposez et n'utilisez pas d'essence ou autres vapeurs et liquides inflammables à proximité de cet appareil ou de tout autre appareil électroménager.
- Si votre réfrigérateur est doté d'une machine à glaçons automatique évitez le contact avec les pièces mobiles du mécanisme éjecteur, ou avec l'élément chauffant qui libère les glaçons. Ne posez pas les doigts ou les mains sur le mécanisme de la machine à glaçons pendant que le réfrigérateur est branché.
- Éloignez les doigts des parties du réfrigérateur où l'on peut facilement se pincer : les espaces entre les portes et entre les portes et les placards sont toujours étroits. Soyez prudent lorsque vous fermez les portes de l'appareil en présence des enfants.
- Débranchez votre réfrigérateur avant de le nettoyer ou de le réparer.
REMARQUE : Nous vous recommandons vivement de confier toute réparation à un technicien qualifié.
- Lorsque vous réglez la commande sur 0, l'alimentation électrique de l'ampoule n'est pas coupée.
- Ne recongelez pas les aliments surgelés qui ont complètement dégelé.

⚠ DANGER! RISQUES POUR LES ENFANTS

COMMENT VOUS DÉBARRASSER CONVENABLEMENT DE VOTRE ANCIEN RÉFRIGÉRATEUR



Les enfants pris au piège ou morts d'asphyxie sont toujours d'actualité. Les réfrigérateurs abandonnés sont toujours aussi dangereux, même si on n'attend que «quelques jours» pour s'en débarrasser. Si vous ne gardez pas votre ancien réfrigérateur, veuillez suivre les directives ci-dessous afin de prévenir les accidents.

Avant de vous débarrasser de votre ancien réfrigérateur ou congélateur :

- Démontez les portes.
- Laissez les clayettes en place afin d'empêcher les enfants de grimper à l'intérieur.

Se débarrasser du CFC

Votre ancien réfrigérateur peut avoir un système de refroidissement qui a utilisé les CFC (chlorofluorocarbones). Les CFC sont jugés nocifs pour l'ozone stratosphérique.

Si vous vous débarrassez de votre ancien réfrigérateur, assurez-vous que le frigorigène avec CFC soit enlevé correctement par un technicien qualifié. Si vous libérez intentionnellement ce frigorigène avec CFC vous pouvez être soumis aux contraventions et à l'emprisonnement sous provisions des lois sur l'environnement.

CORDONS PROLONGATEURS

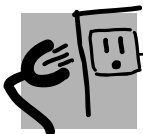


Nous vous recommandons fortement de ne pas utiliser de cordons prolongateurs à cause des risques potentiels qu'ils présentent dans certaines conditions.

Toutefois si vous décidez d'utiliser tout de même un cordon prolongateur, il est absolument nécessaire qu'il s'agisse d'un cordon à 3 fils avec mise à la terre pour appareils électroménagers homologué UL (aux États-Unis) ou certifié CSA (au Canada), pourvu d'une fiche et d'une prise mises à la terre de 15 ampères (minimum) et de 120 volts.

MESURES DE SÉCURITÉ IMPORTANTES. LISEZ D'ABORD TOUTES LES DIRECTIVES.

⚠ AVERTISSEMENT!



RACCORDEMENT ÉLECTRIQUE

Ne coupez ni retirez en aucun cas la troisième broche (mise à la terre) de la fiche du cordon d'alimentation. Pour votre sécurité, cet appareil doit être correctement mis à la terre.

Le cordon d'alimentation de cet appareil est muni d'une fiche à 3 broches (mise à la terre) qui se branche dans une prise murale ordinaire à 3 alvéoles (mise à la terre) pour réduire au minimum les risques de chocs électriques.

Faites examiner la prise de courant et le circuit par un électricien qualifié pour vous assurer que la prise est correctement mise à la terre.

Si la prise murale est du type standard à 2 alvéoles, il vous incombe de la faire remplacer par une prise à 3 alvéoles correctement mise à la terre.

Le réfrigérateur doit toujours être branché dans sa propre prise de courant, dont la tension nominale est identique à celle indiquée sur la plaque signalétique.

Cette précaution est recommandée pour garantir un rendement optimum et éviter une surcharge des circuits électriques de la résidence, ce qui pourrait créer un risque d'incendie par surchauffe des fils.

Ne débranchez jamais le réfrigérateur en tirant sur le cordon d'alimentation. Saisissez fermement la fiche du cordon et tirez droit pour la retirer de la prise.

Réparez ou remplacez immédiatement tout cordon effiloché ou endommagé. N'utilisez pas un cordon fendillé ou présentant des signes d'usure.

Lorsque vous déplacez votre réfrigérateur du mur, faites attention de ne pas le faire rouler sur le cordon d'alimentation afin de ne pas l'endommager.



FICHE D'ADAPTATION *(Fiches d'adaptation non permises au Canada)*

Nous vous recommandons fortement de ne pas utiliser une fiche d'adaptation à cause des risques potentiels qu'elle présente dans certaines circonstances.

Toutefois, si vous décidez d'utiliser tout de même une fiche d'adaptation, vous pouvez effectuer un **raccordement temporaire**, si les codes locaux le permettent, dans une prise de courant à 2 alvéoles adéquatement mise à la terre en utilisant une fiche d'adaptation homologuée UL, en vente dans la plupart des quincailleries.

La fente la plus longue de la fiche doit être alignée avec la fente la plus longue de la prise murale afin d'assurer la polarité appropriée pour le branchement du cordon d'alimentation.

Lorsque vous débranchez le cordon d'alimentation de la fiche d'adaptation, saisissez toujours la fiche d'une main pendant que vous tirez sur la fiche du cordon d'alimentation de l'autre. Sinon, la borne de mise à la terre de la fiche d'adaptation risque de casser avec le temps.

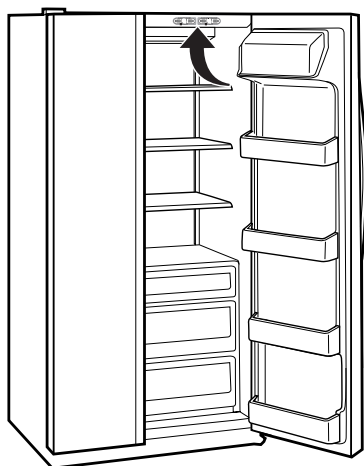
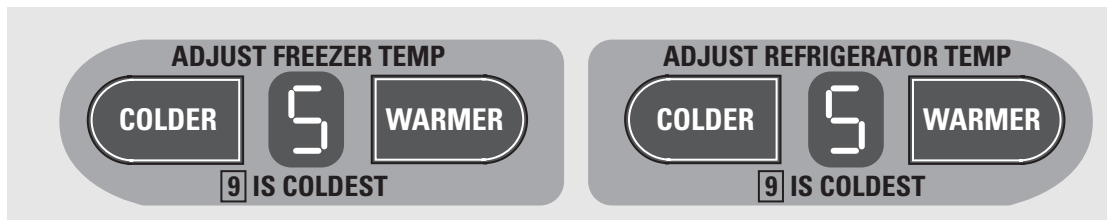
Si la borne de mise à la terre de la fiche casse, **N'UTILISEZ PAS** l'appareil tant qu'une mise à la terre adéquate n'aura pas été rétablie.

Le fait de fixer la borne de mise à la terre de la fiche d'adaptation à la plaque de la prise de courant n'assure pas automatiquement la mise à la terre de l'appareil. Il faut que la vis soit en métal, non isolée, et que la prise de courant soit mise à la terre par l'entremise du câblage de la résidence. Faites vérifier le circuit par un électricien qualifié pour vous assurer que la prise est adéquatement mise à la terre.



**VEUILLEZ LIRE ET SUIVRE ATTENTIVEMENT CES
MESURES DE SÉCURITÉ.**

CONSERVEZ CES DIRECTIVES



La température est pré-réglée à l'usine au numéro **5** pour le compartiment réfrigérateur et le compartiment congélateur. Attendez 24 heures que la température se stabilise aux températures recommandées pré-réglées.

Pour arrêter le refroidissement dans le compartiment réfrigérateur et le compartiment congélateur, réglez leur température au numéro **0**, mais vous ne mettez pas le réfrigérateur hors tension.

Le réglage des commandes variera en fonction des préférences personnelles, de l'usage et des conditions d'utilisation et pourront nécessiter plusieurs ajustements.

NOTE : Le réfrigérateur est expédié avec une pellicule de protection couvrant les commandes de température. Si cette pellicule n'a pas été retirée au cours de l'installation faites-le maintenant.



Test et ajustement des températures

Plusieurs ajustements peuvent être nécessaires. Après chaque ajustement, attendez 24 heures pour que le réfrigérateur ait le temps d'atteindre la température réglée.



Pour tester le congélateur, placez un contenant de crème glacée au centre du congélateur. Vérifiez après 24 heures. Si la crème glacée est trop dure ou trop molle, ajuster le réglage.



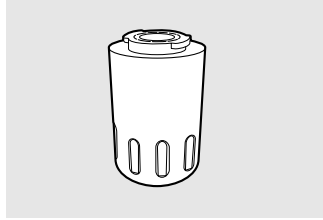
Pour tester le compartiment de réfrigération, placez une canette de boisson sur la tablette supérieure. Après 24 heures, goûtez la boisson. Si la température n'est pas satisfaisante, ajustez le réglage.

Systeme de circulation d'air

Ce système est conçu pour maximiser le rendement dans les compartiments du réfrigérateur et du congélateur. Ce concept unique consiste en une canalisation d'air fixée à la partie supérieure, le long des parois arrières du réfrigérateur et d'un tunnel à air au bas de la paroi arrière du compartiment du congélateur. Le rangement d'aliments en avant des persiennes de ces compartiments n'affecte pas le rendement de l'appareil. Bien qu'il soit possible d'enlever la canalisation d'air et le tunnel à air, une telle opération affectera le rendement en ce qui concerne la température. (Pour recevoir les instructions de démontage de ces éléments en ligne 24 heures par jour, veuillez contacter GE sur le site Web www.GEAppliances.com ou appelez le 800-GE-CARES.)

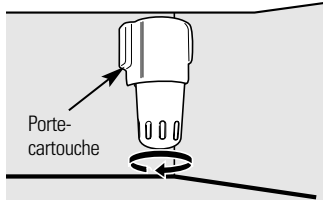
Les filtres à eau et à FreshSaver™

Sur certaines modèles

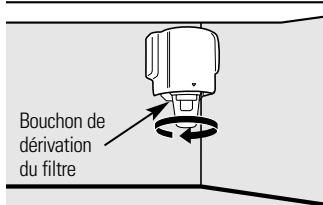


Cartouche du filtre à eau

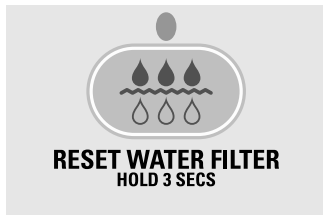
La cartouche du filtre à eau se trouve dans le coin droit arrière supérieur du compartiment réfrigérateur, juste au-dessous des commandes de température.



Insérez le dessus de la cartouche dans le porte-cartouche et tournez-la lentement vers la droite.



Bouchon de dérivation du filtre



Remplacement du filtre

Une lumière indique la nécessité de remplacer la cartouche du filtre à eau sur le distributeur. Cette lumière devient orange pour vous avertir de remplacer bientôt le filtre.

Vous devez remplacer la cartouche de filtre quand la lumière de l'indicateur devient rouge ou quand le débit de l'eau qui va au distributeur d'eau ou au distributeur de glace diminue.

Installation de la cartouche du filtre à eau

- 1 S'il s'agit d'une cartouche de remplacement, enlevez d'abord l'ancienne en la tournant lentement vers la gauche. **Ne tirez pas** sur la cartouche. Un peu d'eau peut s'écouler.
- 2 Alignez la flèche sur la cartouche et le support de cartouche. Placez le haut de la nouvelle cartouche à l'intérieur du support. **Ne l'enfonchez pas** dans le porte-cartouche.
- 3 Tournez la cartouche lentement vers la droite jusqu'au point où la cartouche s'arrête. **NE SERREZ PAS TROP FORT.** Lorsque vous la tournez, elle se lèvera en position automatiquement.

- 4 Faites couler l'eau du distributeur pendant 3 minutes (environ 6 litres) afin de dégager le système et empêcher le bredouillage.
- 5 Pressez et maintenez appuyée la touche **RESET WATER FILTER** (re-réglage du filtre à eau) sur le distributeur pendant 3 secondes.

REMARQUE : Une cartouche de remplacement qui vient d'être installée **peut faire jaillir** l'eau du distributeur.

Bouchon de dérivation du filtre

Il faut utiliser le bouchon de dérivation du filtre lorsqu'une cartouche de remplacement n'est pas disponible. Le distributeur et la machine à glaçons ne peuvent pas fonctionner sans le filtre ou sans le bouchon de dérivation du filtre.

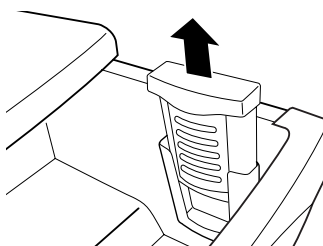
Filtres de remplacement :

Pour commander des cartouches supplémentaires aux États-Unis, visitez notre site Web à l'adresse www.GEAppliances.com, ou appelez le Service des pièces et accessoires GE au 800-626-2002.

GWF

Prix suggéré pour la vente au détail \$34.95

Les clients au Canada devraient consulter les pages jaunes pour connaître la succursale Camco la plus près.



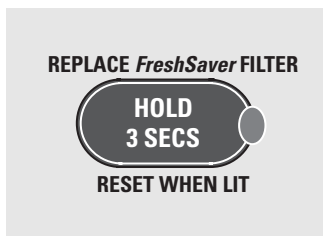
Filtre FreshSaver™

Ce filtre se trouve à l'intérieur du tiroir d'aliments frais et aide à conserver les fruits et les légumes dans un bon état de fraîcheur.

Ce filtre devrait durer environ six mois.

Pour commander des cartouches supplémentaires aux États-Unis, visitez notre site Web à l'adresse www.GEAppliances.com, ou appelez le Service des pièces et accessoires GE au 800-626-2002.

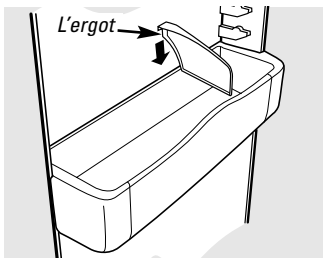
Les clients au Canada devraient consulter les pages jaunes pour connaître la succursale Camco la plus près.



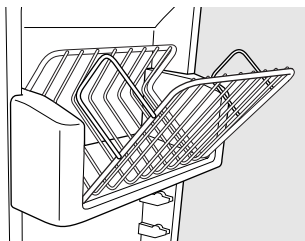
Remplacement du filtre

Une lumière indique la nécessité de remplacer le filtre FreshSaver sur le panneau de réglage de température. Cette lumière devient orange pour vous avertir de remplacer bientôt le filtre. Vous devez remplacer le filtre quand la lumière de l'indicateur devient rouge. Quand vous mettez un filtre neuf, enlevez le couvercle de matière plastique à l'arrière, puis insérez le filtre neuf dans le support. Après avoir monté le nouveau filtre, pressez et maintenez enfoncée la touche **RESET** (re-réglage) sur le panneau de réglage de la température pendant 3 secondes.

Toutes les caractéristiques ne sont pas disponibles sur tous les modèles.



Bac de porte de réfrigérateur



Bac basculant de porte de congélateur

Bacs de porte de réfrigérateur et bacs basculants de porte de congélateur.

Grands bacs

Vous pouvez régler les plus grands bacs de porte de réfrigérateur et les bacs basculants de porte de congélateur.

Enlèvement : Soulevez l'avant du bac droit vers le haut, puis soulevez et enlevez.

Remise en place ou relocalisation : Engagez l'arrière du bac dans les soutiens moulés de la porte. Puis poussez vers le bas l'avant du bac. Le bac se fixe en place.

Petits bacs

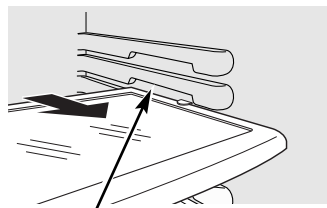
Enlèvement : Soulevez l'avant du bac droit vers le haut, puis enlevez.

Remise en place : Placez le bac au dessus des soutiens moulés rectangulaires de la porte. Puis faites glisser le bac vers le bas dans les supports pour le fixer en place.

L'ergot aide à empêcher que de petits articles placés sur la clayette de la porte se renversent, coulent ou glissent. Mettez un doigt de chaque côté de l'ergot près de l'arrière et faites bouger la clayette vers l'avant ou vers l'arrière selon vos besoins.

Clayettes et bacs.

Toutes les caractéristiques ne sont pas disponibles sur tous les modèles.



Appuyez sur le taquet et tirez la clayette vers l'avant pour l'enlever

Clayette coulissante anti-déversement

Grâce à la clayette glissante anti-déversement, vous pouvez atteindre des articles placés derrière d'autres. Ses bords spéciaux sont conçus pour empêcher tout déversement aux clayettes inférieures.

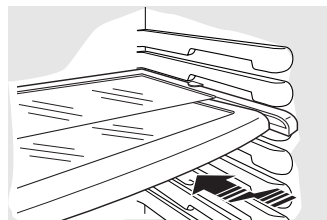
Prenez soin de pousser la clayette jusqu'au fond pour refermer la porte.

Enlèvement :

Faites glisser la clayette vers l'extérieur jusqu'à ce qu'elle atteigne son point d'arrêt, puis appuyez le taquet vers le bas et faites glisser la clayette directement vers l'extérieur.

Remise en place ou relocalisation :

Alignez la clayette avec les supports et faites glisser en place.

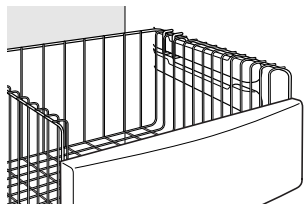


Clayette QuickSpace™

Vous pouvez diviser en deux cette clayette et faire coulisser sa partie avant sous sa partie arrière pour ranger des articles de haute taille sur la clayette du dessous.

Dans certains modèles, vous ne pouvez pas utiliser cette clayette dans la position la plus basse.

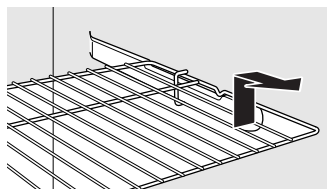
Vous pouvez enlever cette clayette et la remettre en place ou la placer comme une clayette coulissante anti-déversement.



Paniers du congélateur

Pour enlever, faites glisser jusqu'à la position d'arrêt, soulevez l'avant au delà de la position d'arrêt et faites sortir en soulevant.

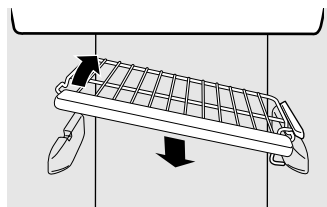
Prenez soin de pousser les paniers jusqu'au fond pour refermer la porte.



Clayettes de congélateur à retrait par coulissement

Pour enlever, faites glisser jusqu'à la position d'arrêt, soulevez l'avant au delà de la position d'arrêt et faites sortir en soulevant.

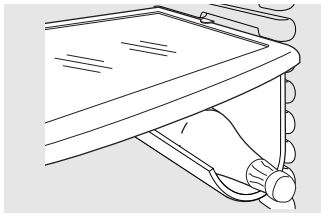
Prenez soin de pousser les clayettes jusqu'au fond pour refermer la porte.



Clayettes de congélateur fixes

Pour retirer, soulevez la clayette par l'avant sur le côté gauche puis tirez-la vers l'arrière.

Toutes les caractéristiques ne sont pas disponibles sur tous les modèles.

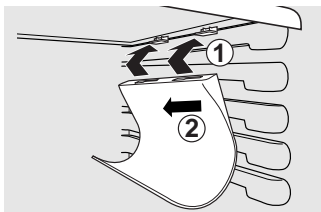


Panier mobile à breuvage

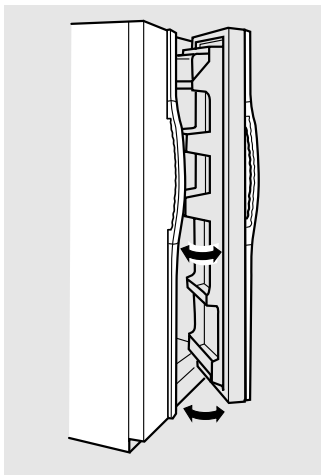
Le panier à breuvage est conçu pour contenir une bouteille de côté. Vous pouvez le fixer à n'importe quelle clayette coulissante.

Installation :

- 1 Alignez la partie large des fentes au sommet du panier aux taquets qui se trouvent sous la clayette.
- 2 Faites coulisser ensuite le panier pour le fixer en position.



Les portes du réfrigérateur.



Portes du réfrigérateur

Les portes de votre réfrigérateur ne sont pas tout à fait comme celles dont vous avez l'habitude. Un système spécial d'ouverture/fermeture assure que les portes ferment complètement et hermétiquement.

Lorsque vous ouvrez et fermez les portes, vous remarquerez qu'elles sont munies d'une position **d'arrêt**. Si vous ouvrez la porte au delà de cette position **d'arrêt**, elle restera ouverte afin de vous permettre de ranger et de prendre vos aliments plus facilement. Lorsque la porte est partiellement ouverte, elle se ferme automatiquement.

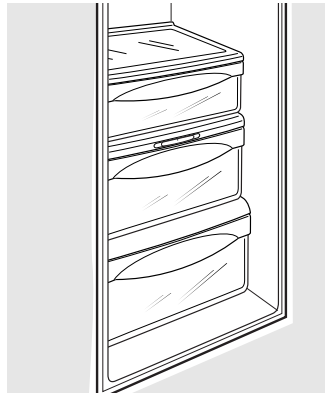
L'impression de résistance que vous ressentez à la position **d'arrêt** diminue lorsque des aliments sont rangés dans la porte.

Lorsque la porte est partiellement ouverte, elle se ferme automatiquement.

Au delà de cette position **d'arrêt** la porte restera ouverte.

Les tiroirs de rangement.

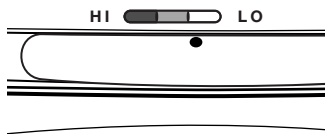
Toutes les caractéristiques ne sont pas disponibles sur tous les modèles.



Tiroirs de rangement

Si une quantité d'eau excessive s'accumule dans le fond des tiroirs, essuyez-les.

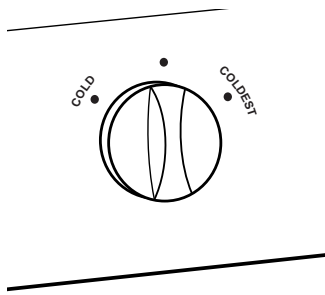
Sur certains modèles, le tiroir inférieur est muni d'un couvercle qui glisse vers l'arrière lorsque le tiroir est ouvert. Ceci permet un plein accès au tiroir. Lorsque celui-ci est fermé, le couvercle glisse vers l'avant pour retourner à sa position originale.



Tiroir à humidité réglable

Réglez la commande à **HI** pour que le tiroir conserve un degré d'humidité élevé pour la conservation des légumes.

Réglez la commande à **LO** pour abaisser le degré d'humidité dans le tiroir pour la conservation des fruits.



Tiroir à viande transformable

Le tiroir à viande transformable a sa propre arrivée d'air froid pour permettre à un courant d'air en provenance du compartiment congélateur d'arriver au tiroir.

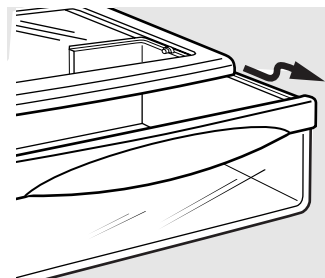
Le réglage de température variable contrôle la circulation d'air en provenance du régulateur de température.

Réglez la température à la position **froid maximum** pour conserver des viandes fraîches. Si vous laissez le réglage dans cette position pendant longtemps, il peut se former du gel à l'arrière du tiroir.

Réglez la température à la position **froid** pour ramener le tiroir à une température normale de réfrigération et l'utiliser comme espace supplémentaire pour les légumes. Cela coupe l'entrée d'air froid. Vous pouvez choisir une température intermédiaire entre ces deux extrêmes.

Enlèvement des bacs de rangement.

Toutes les caractéristiques ne sont pas disponibles sur tous les modèles.

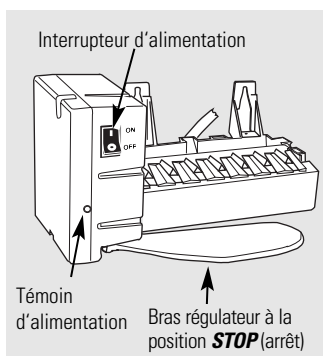


Enlèvement des tiroirs

Vous pouvez facilement enlever les tiroirs en les tirant droit et en les soulevant au-dessus de leur position **d'arrêt**.

Si la porte vous empêche d'enlever les tiroirs, essayez d'abord d'enlever les bacs à porte. Si la porte n'offre pas assez d'espace libre, vous devez rouler le réfrigérateur vers l'avant jusqu'à ce que la porte s'ouvre suffisamment pour vous permettre d'enlever les tiroirs. Parfois, pour faire sortir le réfrigérateur, vous devez le faire aller vers la gauche ou vers la droite en le roulant.

Il faut prévoir entre 12 et 24 heures avant qu'un réfrigérateur nouvellement installé commence à produire des glaçons.



La machine à glaçons produira environ 7 glaçons par cycle—soit environ 100–130 glaçons toutes les 24 heures—selon la température du congélateur, la température ambiante, la fréquence d'ouverture des portes et d'autres conditions d'utilisation.

Si vous mettez votre réfrigérateur en marche avant que la machine à glaçons ne soit alimentée en eau, mettez l'interrupteur d'alimentation à la position **OFF** (arrêt).

Lorsque la conduite d'eau est raccordée au réfrigérateur, mettez l'interrupteur d'alimentation à la position **ON** (marche).

La machine à glaçons se remplit d'eau lorsqu'elle atteint le point de congélation. Il faut prévoir entre 12 et 24 heures avant qu'un réfrigérateur nouvellement installé commence à produire des glaçons.

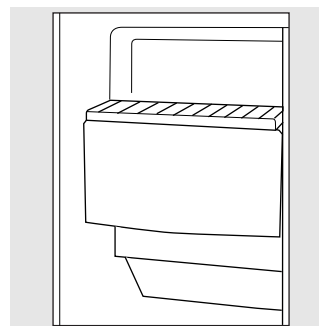
Jetez les premiers lots de glaçons afin d'éliminer les impuretés provenant de la conduite d'eau.

Assurez-vous que rien ne gêne le mouvement du bras régulateur.

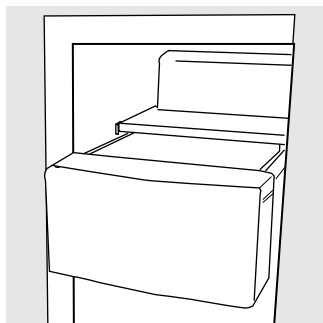
Si le bac à glaçons est plein jusqu'au niveau du bras régulateur, la machine à glaçons s'arrête de produire des glaçons.

Il est normal que plusieurs glaçons soient collés entre eux.

Lorsque vous n'utilisez pas souvent de glaçons, les vieux glaçons perdent leur transparence, prennent un goût désagréable, et diminuent de taille.



Il y a une clayette de congélateur du haut au dessus du distributeur de glace, que vous pouvez utiliser pour ranger.



Tiroir à glace

Pour obtenir de la glace, tirez le tiroir vers l'avant.

Pour enlever le tiroir, tirez-le droit et soulevez-le au delà de sa position **d'arrêt**.

Le distributeur d'eau et de glaçons.

Sur certains modèles



Bac de trop-plein

Pour utiliser le distributeur

Sélectionnez **CUBED ICE** (glaçons), **CRUSHED ICE** (glace concassée) ou **WATER** (eau).

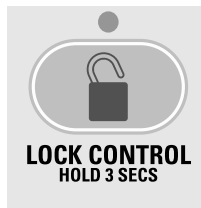
Appuyez doucement le verre contre le haut du bras de distribution.

La clayette de trop-plein n'est pas munie d'un système d'écoulement. Pour réduire les taches d'eau, vous devez nettoyer régulièrement la clayette et sa grille.

S'il n'y a pas d'eau distribuée lorsque le réfrigérateur est initialement installé, il y a peut-être de l'air dans la conduite d'eau. Appuyez sur la commande de distribution pendant deux minutes au minimum pour expulser l'air de la conduite d'eau et remplir le réservoir d'eau. Afin d'éliminer les éventuelles impuretés provenant de la conduite d'eau, jetez les six premiers verres d'eau.

ATTENTION : Ne mettez jamais les doigts ou d'autres objets dans l'ouverture du distributeur.

Verrouillage du distributeur



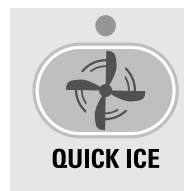
Appuyez sur la touche **LOCK CONTROL** (réglage du verrouillage) pendant 3 secondes pour verrouiller le distributeur et le panneau de réglage. Pour déverrouiller, appuyez sur la touche et tenez-la enfoncée pendant encore 3 secondes.

Lumière du distributeur



Cette touche allume et éteint la **lumière du distributeur**. Vous allumez également la lumière en appuyant sur le bras de distribution. Si cette ampoule brûle, vous devez la remplacer par une ampoule d'au maximum 6 watts.

Glace rapide



Si vous avez besoin de glace rapidement, appuyez sur cette touche pour accélérer la production de glace. Cela augmente la production de glace pendant les 48 heures suivantes ou jusqu'à ce que vous appuyez à nouveau sur cette touche.

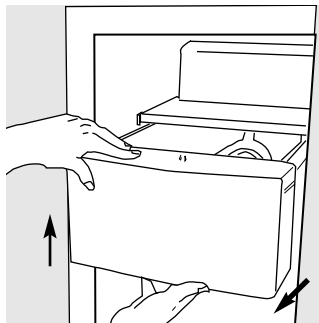
Door Alarm



Pour mettre en marche le signal sonore, appuyez sur cette touche pour allumer l'indicateur lumineux. Ce signal sonne si l'une des portes reste ouverte plus de 3 minutes. La lumière s'éteint et le signal sonore s'arrête quand vous fermez la porte.

Renseignements importants concernant votre distributeur

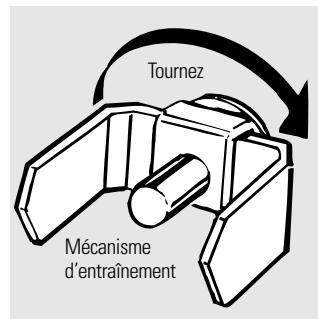
- N'ajoutez pas dans le bac à glaçons des glaçons non fabriqués par votre machine à glaçons. Ils risquent d'être difficiles à concasser ou à distribuer.
- Évitez de trop remplir les verres de glaçons et d'utiliser des verres étroits ou très hauts. Le conduit peut se bloquer et le volet peut geler et coincer. S'il y a des glaçons qui bloquent le conduit, faites-les passer au moyen d'une cuillère en bois.
- Ne placez pas de boissons ou d'aliments dans le bac à glaçons pour les rafraîchir. Les boîtes, bouteilles et paquets alimentaires peuvent coincer la machine à glaçons ou la vis sans fin.
- Afin que la glace distribuée ne puisse manquer le verre, placer le verre à proximité mais sans toucher l'ouverture du distributeur.
- Même si vous avez sélectionné **CUBED ICE** (glaçons), il est possible que de la glace concassée tombe dans votre verre. Cela se produit de temps à autre lorsque plusieurs glaçons sont acheminés vers le broyeur.
- Après distribution de la glace concassée, de l'eau peut s'écouler du conduit.
- Parfois, un peu de givre se forme sur le volet du conduit à glace. Ce phénomène est normal et se produit en général après des distributions répétées de glace concassée. Le givre va éventuellement évaporer.



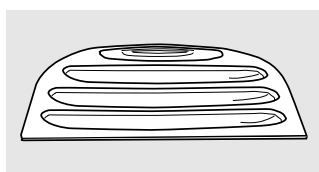
Tiroir à glace dans les modèles à distributeur de glace

Enlèvement : Mettez l'interrupteur du distributeur de glace en position **OFF** (arrêt). Tirez le tiroir droit, puis soulevez-le pour dépasser la position **d'arrêt**.

Remise en place : Pour remettre le tiroir, prenez soin d'appuyer fort en place. S'il n'entre pas jusqu'au fond, enlevez-le et faites tourner le mécanisme d'un quart de tour. Poussez à nouveau le tiroir jusqu'au fond.



Entretien et nettoyage du réfrigérateur.



Zone de ramasse-gouttes du répartiteur.

Nettoyage de l'extérieur

Le bac de trop-plein du distributeur (sur certains modèles) devrait être soigneusement essuyé. Vous pouvez éliminer les dépôts calcaires laissés par les taches d'eau en trempant le bac dans du vinaigre non dilué. Laissez tremper jusqu'à ce que les dépôts disparaissent ou soient suffisamment ramollis pour être éliminés par rinçage.

Le bras de distribution (sur certains modèles). Avant nettoyage, appuyez pendant 3 secondes sur la touche **LOCK CONTROL**. Nettoyez-la au moyen d'une solution d'eau et de bicarbonate de soude—environ une cuillère à soupe (15 ml) de bicarbonate de soude par pinte (1 liter) d'eau. Rincez bien et essuyez.

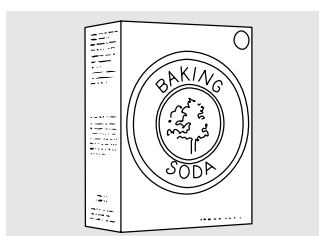
Les poignées de porte et leur garniture.

Nettoyez-les au moyen d'un linge humecté d'eau savonneuse. Séchez avec un linge doux.

Gardez l'extérieur du réfrigérateur propre.

Essuyez-le avec un linge propre légèrement humecté de cire pour appareils électroménagers ou d'un détergent liquide doux pour la vaisselle. Séchez et polissez avec un linge doux et propre.

N'essuyez pas le réfrigérateur avec un linge à vaisselle sale ou une serviette humide : ils pourraient laisser un résidu qui pourra endommager la peinture. N'utilisez pas de tampons à recurer, de produits nettoyants en poudre, de javellisants ou de produits nettoyants contenant un javellisant, car ces produits peuvent égratigner la peinture et la rendre moins résistante.



Nettoyage de l'intérieur

Pour éviter les mauvaises odeurs, laissez une boîte ouverte de bicarbonate de soude dans les compartiments réfrigérateur et congélateur.

Débranchez le réfrigérateur avant de le nettoyer. S'il est trop difficile de le faire, essorez bien votre linge ou votre éponge pour enlever l'excès d'eau lorsque vous nettoyez autour des interrupteurs, des lampes ou des commandes.

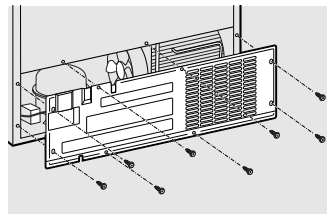
Utilisez une solution d'eau tiède et de bicarbonate de soude—environ une cuillère à soupe (15 ml) de bicarbonate de soude par pinte (1 liter) d'eau—afin de nettoyer tout en neutralisant les odeurs. Rincez et essuyez bien.

Après avoir nettoyé les joints de porte, appliquez une fine couche de vaseline sur les joints du côté des charnières pour empêcher les joints de coller et de se déformer.

Évitez de nettoyer les clayettes en verre (sur certains modèles) encore froides dans de l'eau chaude car elles risquent de se casser à cause de l'écart excessif de température. Manipulez les clayettes en verre avec prudence. Si vous cognez le verre trempé, il pourra se briser.

Ne lavez aucune pièce de plastique du réfrigérateur au lave-vaisselle.

Entretien et nettoyage du réfrigérateur.



Condensateur

Vous n'avez pas besoin de nettoyer le condensateur dans un milieu familial normal. Cependant, si le milieu est particulièrement poussiéreux ou gras, vous devez nettoyer périodiquement le condensateur pour obtenir un fonctionnement efficace du réfrigérateur.

Nettoyage du condensateur :

Le condensateur se trouve à l'intérieur de l'arrière du réfrigérateur. Pour le localiser, enlevez le couvercle. Le condensateur se trouve du côté droit. Pour obtenir de meilleurs résultats, utilisez une brosse spécialement conçue pour nettoyer les condensateurs. Vous en trouverez dans la plupart des magasins d'appareils électro-ménagers.

Derrière le réfrigérateur

Prenez un soin particulier lorsque vous éloignez le réfrigérateur du mur. Tous les types de revêtements de sol peuvent être endommagés, particulièrement ceux qui sont coussinés ou dont la surface est gaufrée.

Lorsque vous remettez le réfrigérateur en place en le poussant, veillez à ne pas le faire rouler sur le cordon d'alimentation ou sur la conduite d'eau de la machine à glaçons.

Tirez le réfrigérateur en ligne droite et, lorsque vous le remettez en place, poussez-le vers le mur en ligne droite. Les déplacements latéraux du réfrigérateur pourraient endommager le revêtement de sol ou le réfrigérateur.

Départ en vacances

Lorsque vous vous absentez pendant une période prolongée, videz et débranchez le réfrigérateur. Réglez les commandes sur **0** et nettoyez l'intérieur avec une solution d'eau et de bicarbonate de soude, à raison d'une cuillère à soupe (15 ml) de bicarbonate par pinte (1 L) d'eau. Laissez les portes ouvertes.

Si la température risque de descendre sous le point de congélation, demandez à un réparateur de vidanger la conduite d'eau afin d'éviter les dégâts sérieux causés par les inondations.

Mettez l'intercepteur d'alimentation de la machine à glaçons à la position **OFF** et fermez l'alimentation d'eau au réfrigérateur.

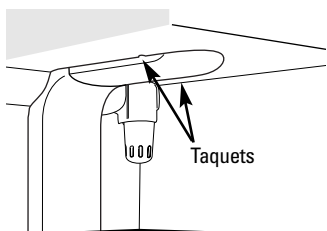
Déménagement

Immobilisez tous les éléments amovibles, tels que les clayettes et les bacs, à l'aide de ruban gommé pour éviter de les endommager.

Si vous utilisez un charriot pour déménager le réfrigérateur, ne laissez jamais le devant ou le derrière du réfrigérateur reposer contre le charriot. Cela pourrait endommager le réfrigérateur. Ne transportez le réfrigérateur que par les côtés.

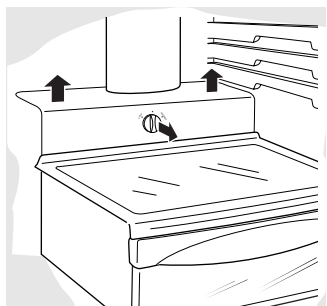
Assurez-vous que le réfrigérateur demeure debout pendant son déménagement.

Lorsque vous réglez la commande du congélateur sur 0, l'alimentation électrique de l'ampoule n'est pas coupée.



Compartiment réfrigérateur—lampe supérieure

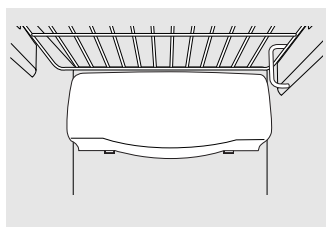
- 1 Débranchez le réfrigérateur.
- 2 Les ampoules se trouvent en haut du compartiment, à l'intérieur du pare-lumière. Sur certains modèles, vous devez enlever une vis qui se trouve à l'avant de l'écran.
- 3 Pour enlever le pare-lumière, appuyez sur les taquets se trouvant sur les côtés du pare-lumière et enlevez en faisant glisser vers l'avant.
- 4 Après avoir remplacé l'ampoule par une ampoule d'appareil électroménager de même puissance ou de puissance inférieure, remettez le pare-lumière et les vis (sur certains modèles). Pour remettre le pare-lumière, assurez-vous que les taquets qui se trouvent à l'arrière du pare-lumière aillent dans les trous qui se trouvent à l'arrière du boîtier.
- 5 Rebranchez le réfrigérateur.



Compartiment réfrigérateur—lampe inférieure

Cette lumière se trouve au dessus du tiroir d'en haut.

- 1 Débranchez le réfrigérateur.
- 2 Enlevez le bouton de réglage du tiroir à viande transformable en le tirant droit.
- 3 Soulevez le pare-lumière et enlevez-le en tirant.
- 4 Après avoir remplacé l'ampoule par une ampoule d'appareil électroménager de même puissance ou de puissance inférieure, remettez le pare-lumière et le bouton.
- 5 Rebranchez le réfrigérateur.



Compartiment congélateur

- 1 Débranchez le réfrigérateur.
- 2 Enlevez la clayette qui se trouve juste au dessus du pare-lumière (vous pouvez enlever cette clayette plus facilement après l'avoir vidée). Sur certains modèles, vous devez enlever une vis qui se trouve en haut du pare-lumière.
- 3 Pour enlever le pare-lumière, appuyez sur les côtés et enlevez en soulevant.
- 4 Remplacez l'ampoule par une ampoule d'appareil électroménager de même puissance ou de puissance inférieure, puis remontez le pare-lumière. Pour remonter le pare-lumière, assurez-vous que les taquets du haut soient solidement fixés en place. Remettez la vis (sur certains modèles).
- 5 Remontez la clayette et rebranchez le réfrigérateur.

Distributeur

- 1 Débranchez le réfrigérateur.
- 2 L'ampoule se trouve sur le distributeur sous le panneau de réglage. Enlevez l'ampoule en la faisant tourner dans le sens opposé à celui des aiguilles d'une montre.
- 3 Remplacez l'ampoule par une ampoule de même taille et de même puissance.
- 4 Rebranchez le réfrigérateur.

Préparation.

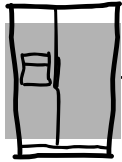
Veuillez lire toutes les directives attentivement.



Alimentation en eau de la machine à glaçons

La machine à glaçons doit être raccordée à une conduite d'eau froide.

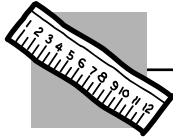
Un nécessaire d'alimentation en eau (comprenant un tuyau de cuivre, un robinet d'arrêt, des raccords et des directives) est disponible moyennant supplément chez votre marchand ou auprès du Service des pièces et accessoires, 800-361-3400.



Emplacement du réfrigérateur

N'installez pas le réfrigérateur dans une pièce où la température ambiante risque d'être inférieure à 60 °F (16 °C) parce qu'il ne se mettra pas en marche suffisamment souvent pour maintenir les températures convenables.

Installez le réfrigérateur sur un plancher suffisamment solide pour le supporter lorsqu'il est plein.



Dégagements

Prévoyez les dégagements suivants pour faciliter l'installation, assurer une circulation d'air adéquate, et permettre les raccordements de plomberie et d'électricité :

	21 et 23 pi	25, 27, et 29 pi
Côtés	1/8" (4 mm)	1/8" (4 mm)
Dessus	1" (25 mm)	1" (25 mm)
Arrière	1/2" (13 mm)	1" (25 mm)

Si le réfrigérateur se trouve contre un mur et a un mur d'un côté ou de l'autre, prévoyez les espaces libres suivants pour ouvrir les portes :

Modèles de 21, 23, 25, et 27 pi avec portes plates :	67 mm
Modèles de 25 et 27 pi avec portes courbes :	94 mm
Modèles de 29 pi avec portes plates :	110 mm
Modèles de 29 pi avec portes courbes :	70 mm

Roulettes de nivellement

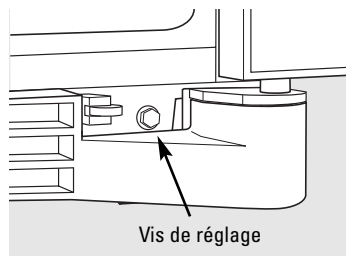
Les roulettes de nivellement jouent trois rôles :

- 1 Elles peuvent être réglées pour que les portes se referment automatiquement lorsqu'elles sont à moitié ouvertes. [Réglez le bord inférieur avant du réfrigérateur à 5/8 po (15 mm) du sol.]
- 2 Elles peuvent être réglées de manière à permettre à l'appareil de reposer solidement sur le sol et l'empêcher ainsi de branler.
- 3 Elles vous permettent d'éloigner le réfrigérateur du mur pour le nettoyage.

Vous devez faire les réglages finaux d'horizontalité après l'installation du réfrigérateur.

Pour régler les roulettes sur les modèles de 25, 27 et 29 pi :

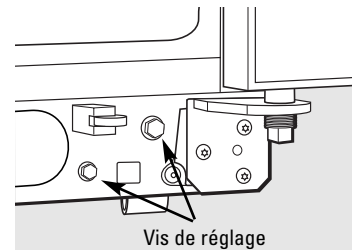
Tournez les vis de réglage des roulettes **dans le sens des aiguilles d'une montre pour faire monter** le réfrigérateur, **dans le sens opposé à celui des aiguilles d'une montre pour le faire descendre**. Utilisez une clé ou une douille de 3/8 po ou une clé anglaise.



Pour régler les roulettes sur les modèles de 21 et 23 pi :

Enlevez la grille de la base en ouvrant les portes, enlevant les vis aux deux extrémités et la tirant.

Tournez les vis de réglage des roulettes **dans le sens des aiguilles d'une montre pour faire monter** le réfrigérateur, **dans le sens opposé à celui des aiguilles d'une montre pour le faire descendre**. Utilisez une clé ou une douille de 3/8 po ou une clé anglaise.

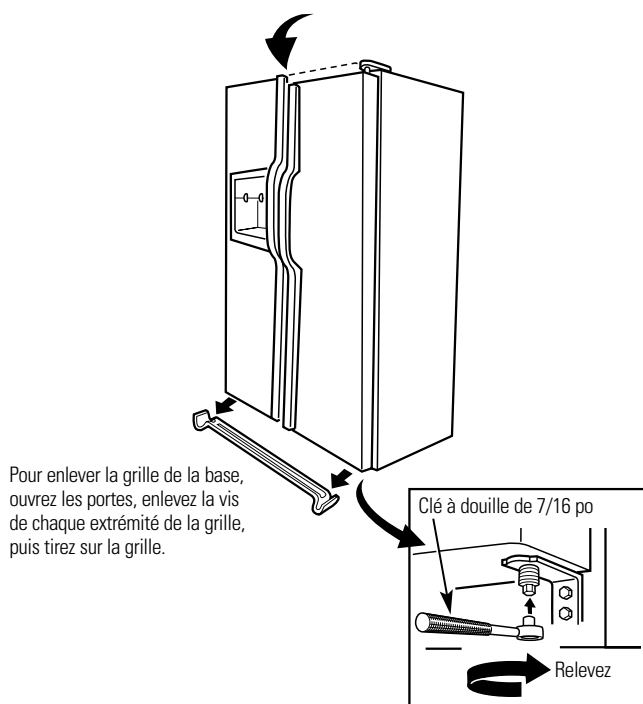


Ces modèles ont aussi des roulettes arrière réglables, pour vous permettre d'aligner le réfrigérateur aux armoires de cuisine. Utilisez une clé à douille à long manche de 5/16 po pour tourner les vis pour les roulettes arrière, **dans le sens des aiguilles d'une montre pour faire monter le réfrigérateur, dans le sens opposé à celui des aiguilles d'une montre pour le faire descendre**.

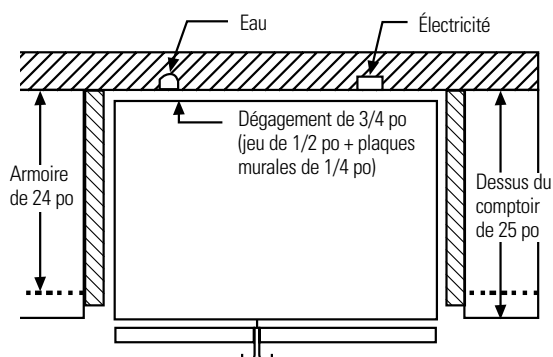
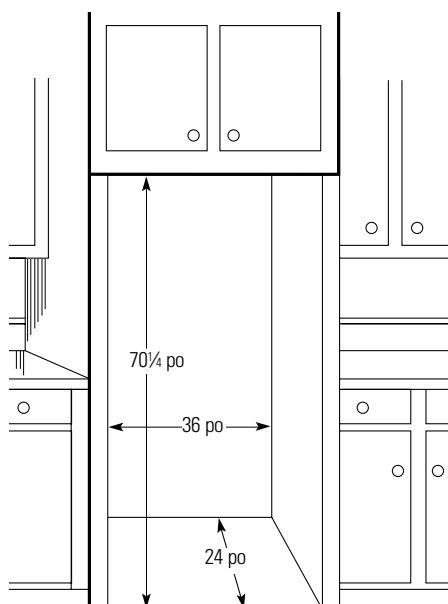
Alignement des portes

Après avoir réglé les roulettes de nivellement, assurez-vous que les portes sont bien alignées à la partie supérieure.

Pour aligner les portes, réglez la porte du compartiment réfrigérateur. À l'aide d'une clé à douille de 7/16 po, tournez la vis de réglage de la porte vers la droite pour relever la porte, ou vers la gauche pour l'abaisser. (Une douille de nylon, encastrée dans les filets de l'axe, empêchera celui-ci de tourner si l'on ne se sert pas d'une clé.) Après avoir tourné la clé une ou deux fois, ouvrez et fermez la porte du compartiment réfrigérateur et vérifiez l'alignement des portes à la partie supérieure.



Dimensions et spécifications (pour les modèles «CustomStyle»)



Ensembles de moulures et de panneaux décoratifs.

Pour les modèles «CustomStyle»

Veillez lire toutes les directives attentivement.



Avant de commencer

Certains modèles sont munis de garnitures qui vous permettent de monter des panneaux de porte. Vous pouvez commander des panneaux de décoration pré-découpés des couleurs suivantes : noir, blanc, amande, bisque ou acier inoxydable au service de Pièces et accessoires GE, 800-626-2002 ou vous pouvez ajouter des panneaux de bois qui vont avec votre cuisine.

Panneaux de moins de 1/4 po (6 mm) d'épaisseur

Lorsque vous installez des panneaux de bois ayant moins de 1/4 po (6 mm) d'épaisseur, vous aurez besoin d'un panneau de remplissage entre la porte et le panneau de bois, tel que du carton de 1/8 po. Si vous installez un panneau décoratif pré-coupé, un panneau de remplissage pré-coupé est fourni dans l'ensemble. L'épaisseur totale du panneau décoratif ou de bois avec le panneau de remplissage doit être de 1/4 po (6 mm).

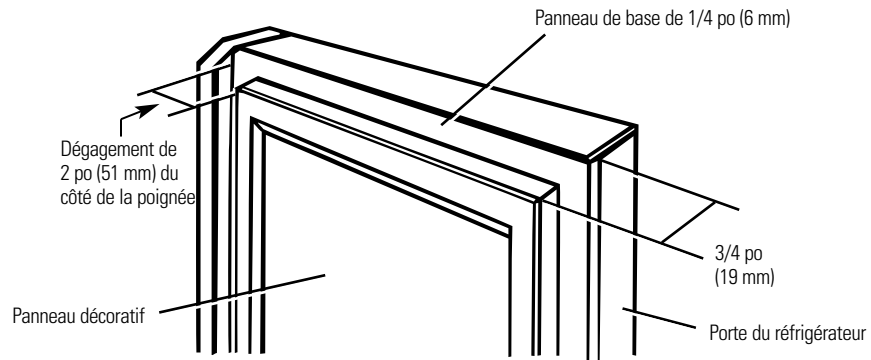
Panneau de 3/4 po (19 mm) ou surélevé

Vous pouvez utiliser un panneau surélevé vissé ou collé sur un panneau de base de 1/4 po (6 mm) d'épaisseur, ou un panneau fraisé de 3/4 po (19 mm). La partie surélevée du panneau doit être fabriquée de façon à offrir un dégagement pour les doigts d'au moins 2 po (51 mm) du côté de la poignée.

Limites de poids pour les panneaux personnalisés :

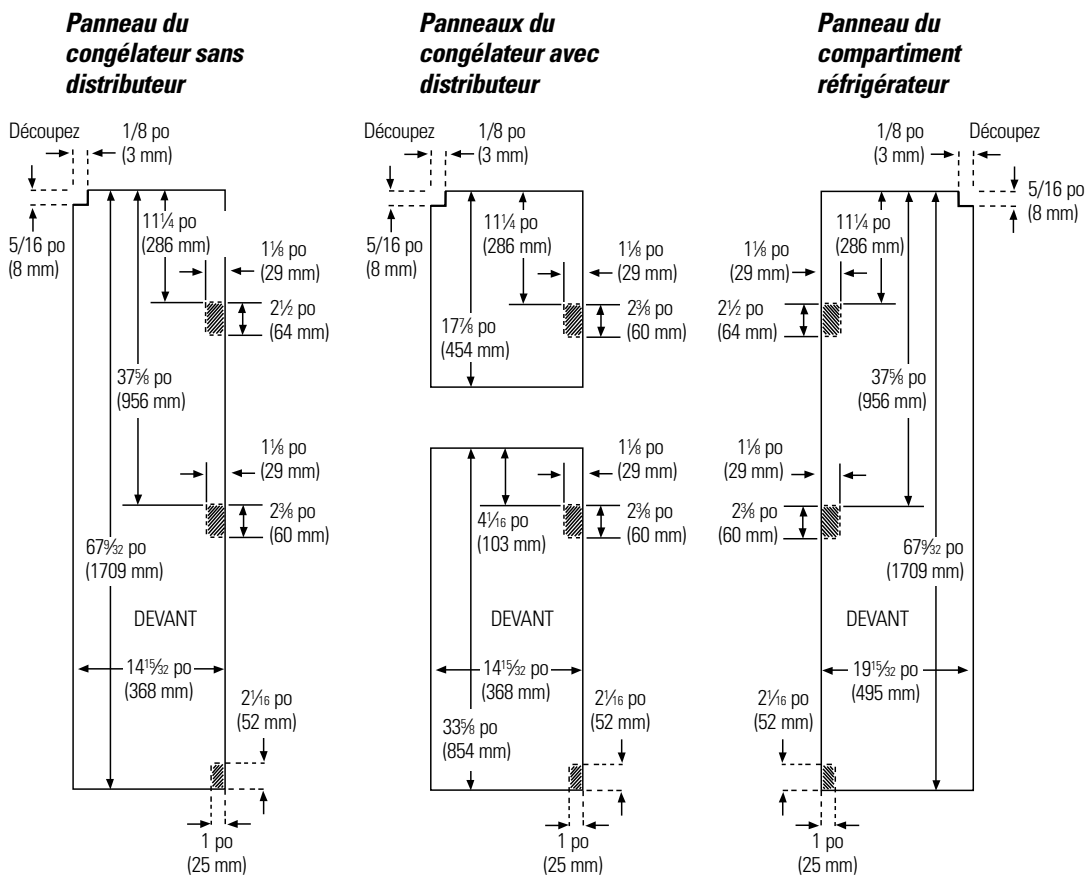
Réfrigérateur : 38 livres (17 kg) max.

Congélateur : 28 livres (13 kg) max.

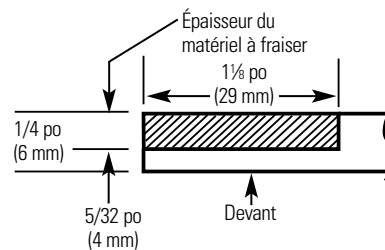


Ensembles de moulures.

Dimensions pour les panneaux de bois sur mesure



Les parties supérieures des panneaux doivent être découpées dans les panneaux. Les parties ombragées indiquent les parties qui doivent être fraisées d'environ 5/32 po (4 mm) à l'endos des panneaux ayant 1/4 po (6 mm) d'épaisseur ou plus. Dans le cas des panneaux de moins de 1/4 po (6 mm) d'épaisseur, ces parties peuvent être coupées dans les panneaux de remplissage.



Exemple de fraisage

Mesures de sécurité

Fonctionnement

Installation

Conseils de dépannage

Service à la clientèle

Installation des panneaux de porte.

Veillez lire toutes les directives attentivement.

1 Desserrez la moulure supérieure de la porte du congélateur et du réfrigérateur.

À l'aide d'un tournevis Torx T-20, desserrez d'environ 1/4 po (6 mm) les deux vis qui retiennent la moulure supérieure.

2 Insérez les panneaux du congélateur et du réfrigérateur.

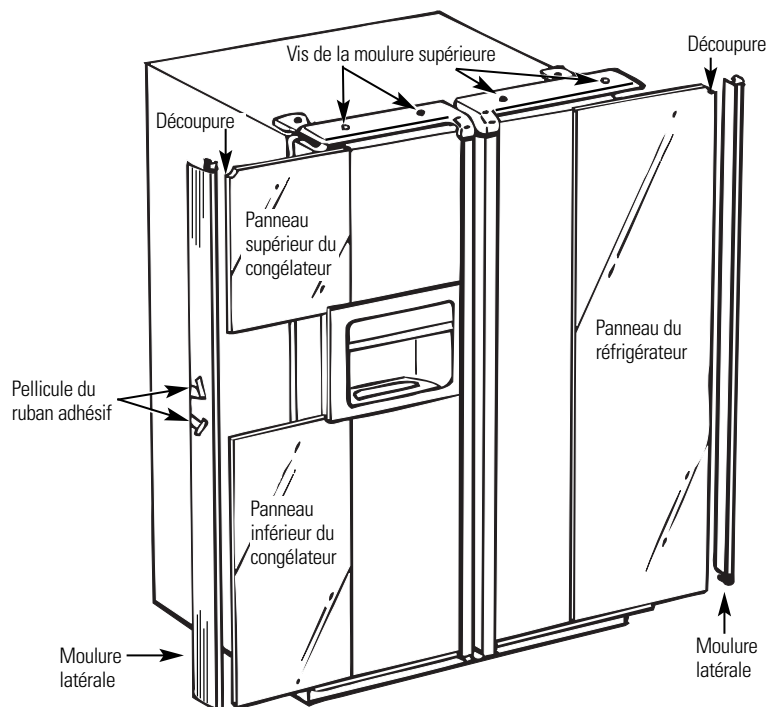
Soulevez la moulure supérieure de 1/4 po (6 mm) et poussez délicatement sur le panneau supérieur du congélateur jusqu'à ce qu'il soit inséré dans la rainure derrière la poignée de porte. Poussez le panneau de remplissage (nécessaire avec certains panneaux de porte) derrière le panneau décoratif. Faites la même chose avec le panneau du réfrigérateur.

Si votre modèle est doté d'un distributeur et (ou) d'un Centre de rafraîchissements, cette étape ne s'applique qu'aux panneaux supérieurs.

3 Insérez le panneau inférieur (modèles dotés d'un distributeur et (ou) d'un Centre de rafraîchissements).

Poussez délicatement sur le panneau jusqu'à ce qu'il soit inséré dans la rainure derrière la poignée de porte. Poussez le panneau de remplissage (nécessaire avec certains panneaux de porte) derrière le panneau décoratif.

4 Serrez à la main les deux vis sur la garniture supérieure.



5 Installez la moulure latérale.

Ces pièces se trouvent à l'intérieur de la poignée de porte du compartiment réfrigérateur.

N'enlevez pas la pellicule protectrice qui se trouve à l'extérieur de la moulure latérale avant d'avoir installé la moulure latérale.

Insérez la partie inférieure de la moulure latérale sous la moulure inférieure comme illustré.

Tenez la moulure latérale contre la partie avant des panneaux décoratifs, puis installez la moulure latérale sous la moulure supérieure. Avant d'enlever la pellicule du ruban adhésif, assurez-vous que la moulure latérale est correctement installée et que vous êtes satisfait de l'aspect général des pièces.

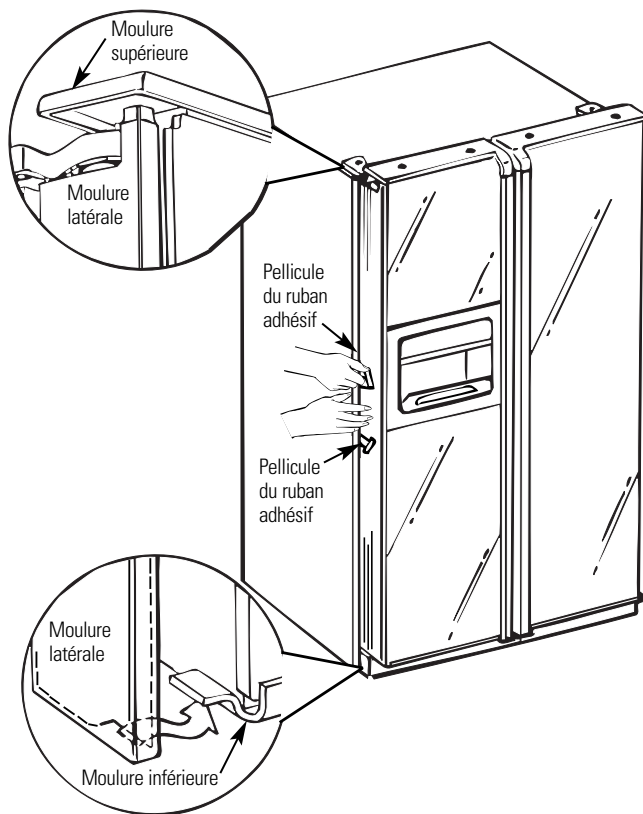
6 Fixez la moulure latérale.

Placez une main entre les deux morceaux de pellicule et tenez la moulure latérale fermement contre les panneaux et le côté de la porte.

Enlevez la pellicule supérieure du ruban adhésif sur environ 3 po (80 mm) en appuyant sur la moulure avec votre main à mesure que la surface adhésive est exposée du côté de la porte. Enlevez ensuite la pellicule inférieure du ruban adhésif sur environ 3 po (80 mm). Suivez le ruban adhésif avec votre main, en collant l'adhésif de la moulure sur la porte.

Continuez d'enlever la pellicule du ruban adhésif, en alternant entre la partie supérieure et la partie inférieure, et en appuyant fermement la moulure latérale contre la porte.

7 Enlevez la pellicule de protection à l'extérieur de la moulure latérale.



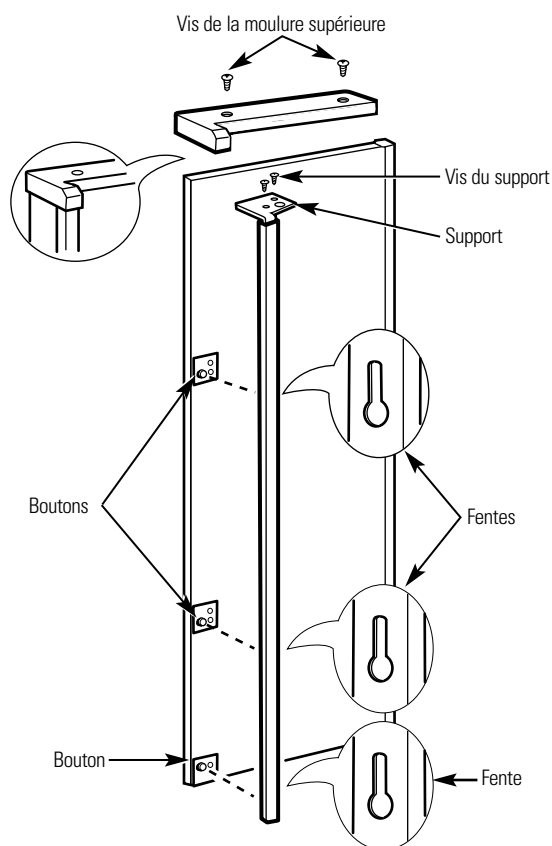
Installation et enlèvement de panneaux décoratifs préalablement installés.

Veillez lire toutes les directives attentivement.

Enlèvement des poignées

Pour enlever les anciens panneaux décoratifs et les remplacer par les nouveaux, vous devez enlever les poignées. Pour ce faire, vous aurez besoin d'un tournevis Torx T-20.

- 1 Desserrez et enlevez les 2 vis de la moulure supérieure.
- 2 Desserrez et enlevez les 2 vis du support qui retient la poignée sur le dessus de la porte.
- 3 Saisissez fermement la poignée et faites-la glisser vers le haut pour dégager les fentes de la poignée des boutons aménagés sur la porte.
- 4 Ouvrez la porte et enlevez les panneaux décoratifs en les faisant glisser.



Installation des panneaux de porte

Avant de les installer, assurez-vous que les panneaux décoratifs ont été fraisés aux endroits appropriés, comme indiqué au début de la présente section. Avant de fixer la poignée et la moulure supérieure, faites un essai et installez les panneaux en place.

Installation des poignées

Après avoir installé correctement les panneaux, procédez à l'installation de la poignée et de la moulure supérieure.

- 1 Faites glisser les fentes de la poignée sur les boutons qui se trouvent sur le devant de la porte. Faites glisser la poignée vers le bas jusqu'à ce que le support à la partie supérieure de la poignée soit à égalité avec le dessus de la porte.
- 2 Remettez en place les 2 vis dans le support qui retient la poignée sur le dessus de la porte et serrez-les à un couple de serrage de 45 po/lb.
- 3 Remettez en place la moulure supérieure en vous assurant qu'elle s'installe correctement sur la moulure latérale et que les languettes de positionnement sont bien insérées à l'intérieur du profil de la poignée.
- 4 Remettez en place les vis de la moulure supérieure et serrez-les à un couple de serrage de 30 po/lb.

Démontage et remontage des portes.

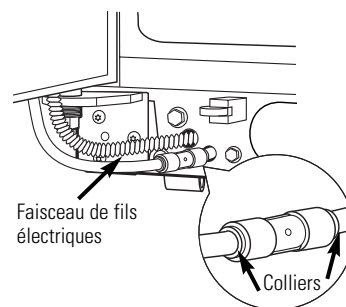
Au cours de l'installation ou du déplacement du réfrigérateur, il peut être nécessaire de démonter les portes pour que l'appareil puisse passer au travers d'une embrasure de porte d'entrée.

Démontage des portes

Assurez-vous que les portes sont fermées.

1 Débranchez la conduite d'arrivée d'eau et le faisceau de fils.

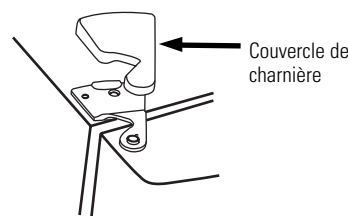
À proximité de la charnière inférieure côté congélateur, repoussez les colliers à chaque extrémité du raccord puis séparez le tuyau du raccord. Débranchez également le faisceau de fils. Tirez le tuyau et le faisceau de fils au travers du rail inférieur.



2 Retirez les couvre-charnières et les charnières.

Pour accéder aux charnières, il est nécessaire de retirer les couvre-charnières. Retirez le couvre-charnière en le tenant par les côtés vers sa partie arrière. Poussez sur le couvre-charnière et soulevez-le à l'arrière et ensuite, à l'avant.

NOTE : N'UTILISEZ PAS de tournevis pour enlever le couvre-charnière. FAITES ATTENTION de ne pas briser le taquet de blocage arrière. Retirez les charnières à l'aide de l'outil Torx T-20.

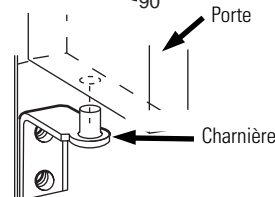
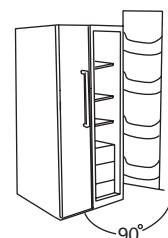


3 Démontez les portes.

Avec précaution, faites tourner la porte de 90°. Tout en guidant le tuyau d'arrivée d'eau et le faisceau de fils qui ont été débranchés, levez la porte verticalement.

NOTE : Si vous ne levez pas la porte verticalement, vous pouvez endommager la charnière inférieure. Placez la porte sur une surface de protection.

NOTE : Faites attention de ne pas pincer le tuyau d'arrivée d'eau et le faisceau de fils se trouvant au bas de la porte.



Remontage des portes

1 Placez les portes sur les charnières inférieures.

Avec la porte faisant un angle de 90°, abaissez-la directement sur la charnière inférieure. Fermez-la avec précaution.

NOTE : Le fait de ne pas abaisser la porte directement sur la charnière inférieure peut l'endommager.

2 Remontez les charnières supérieures ainsi que les couvre-charnières.

Remontez les charnières supérieures à l'aide d'un outil Torx T-20. Remontez les couvre-charnières. Si la porte n'est pas horizontale, ajustez la charnière inférieure droite à l'aide d'une clé plate de 7/16".

3 Rebranchez le tuyau d'arrivée d'eau et le faisceau de fils.

Insérez le tuyau dans le raccord en vous assurant qu'il est suffisamment enfoncé dans le raccord de telle façon que vous ne puissiez plus voir le repère sur le tuyau. Rebranchez le faisceau de fils.

4 Ouvrez le robinet d'alimentation d'eau.

Installation de la conduite d'eau.

Veillez lire toutes les directives attentivement.



Avant de commencer

- Lors du raccordement au réfrigérateur du système GE de purification de l'eau par osmose inversée, seule l'installation avec un ensemble GE RVKIT est approuvée.
- Si le réfrigérateur est alimenté en eau à partir d'un système de filtration d'eau par osmose inversée, et si le réfrigérateur comporte également un filtre à eau, utiliser le bouchon du circuit de dérivation du filtre du réfrigérateur. Si la cartouche de filtration d'eau du réfrigérateur est utilisée en conjonction avec le système de filtration par osmose inversée, on peut observer une réduction du débit d'eau au point de puisage, et la production de cubes de glace creux.
- L'installation de cette conduite d'eau n'est pas garantie par le fabricant de la machine à glaçons ni du réfrigérateur. Veuillez suivre ces directives attentivement afin de réduire au minimum les risques de dommages coûteux causés par l'eau.
- La présence d'un coup de bélier (de l'eau qui cogne dans les tuyaux) dans la plomberie de votre résidence risque d'endommager le réfrigérateur et provoquer des fuites et des dégâts d'eau. Faites corriger le problème par un plombier qualifié avant de raccorder la conduite d'eau au réfrigérateur.
- N'installez pas le robinet d'arrêt sur la conduite d'eau chaude. Ceci pourrait provoquer des brûlures et endommager l'appareil.
- Si vous utilisez votre réfrigérateur avant que la conduite d'eau soit raccordée, assurez-vous que l'interrupteur d'alimentation de la machine à glaçons est réglé à la position **OFF** (arrêt).
- N'installez pas le tuyau de la machine à glaçons dans un endroit où la température descend sous le point de congélation.
- Lorsque vous utilisez un appareil électrique (comme une perceuse) lors de l'installation, assurez-vous qu'il est isolé ou câblé de façon à éviter tout risque de chocs électriques.
- Toutes les installations doivent être conformes aux exigences du code de plomberie local en vigueur.



Matériel nécessaire

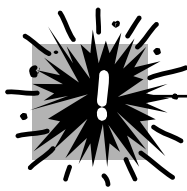
Pour calculer la longueur de tuyau de cuivre nécessaire :

Mesurez la distance entre l'électrovanne à l'arrière du réfrigérateur et la conduite d'eau. Ajoutez ensuite 8 pieds (244 cm). Assurez-vous que la longueur de tuyau supplémentaire est suffisante [environ 8 pieds (244 cm) de tuyau enroulé pour former trois boucles d'environ 10 po (25 cm) de diamètre] pour que vous puissiez éloigner le réfrigérateur du mur après l'installation.

- **Un nécessaire d'alimentation** en eau comprenant le tuyau de cuivre, le robinet d'arrêt, et les raccords détaillés ci-dessous est disponible, moyennant supplément, chez votre marchand ou auprès du Service de pièces et accessoires au 800-361-3400.
- **Conduite d'eau froide.** La pression de l'eau doit varier entre 20 et 120 livres/po² (1.4–8.2 bar) sur les modèles sans filtre à eau, et entre 40 et 120 livres/po² (2.8–8.2 bar) sur les modèles avec un filtre à eau.
- **Perceuse électrique.**
- **Tuyau de cuivre** de 1/4 po de diamètre extérieur pour raccorder le réfrigérateur à la conduite d'eau. Assurez-vous que les extrémités du tuyau et de la conduite sont coupées à angle droit.

N'utilisez pas de tuyau ou de raccord en plastique car la conduite d'eau est constamment sous pression. De plus, certains types de tuyau de plastique peuvent casser et fendiller avec le temps, provoquant des fuites d'eau.

- **Deux écrous à compression de 1/4 po de diamètre extérieur et deux douilles de raccordement**—pour raccorder le tuyau de cuivre au robinet d'arrêt et à l'électrovanne du réfrigérateur.
- Si votre conduite d'eau est dotée d'un raccord évasé à une extrémité, vous aurez besoin d'un **adaptateur** (vendu dans toutes les bonnes quincailleries) pour raccorder la conduite d'eau au réfrigérateur **OU** vous pouvez couper le raccord évasé à l'aide d'un **coupe-tubes** et ensuite utiliser un raccord à compression.
- **Robinet d'arrêt** pour installation sur la conduite d'eau froide. Le robinet d'arrêt doit être doté d'un orifice d'entrée d'au moins 5/32 po de diamètre intérieur au point de raccordement avec la **CONDUITE D'EAU FROIDE**. Bon nombre d'ensembles de raccordement comprennent des robinets d'arrêt à brides. Avant d'en faire l'achat, assurez-vous que l'installation d'un robinet à brides est conforme avec le code de plomberie en vigueur dans votre région.



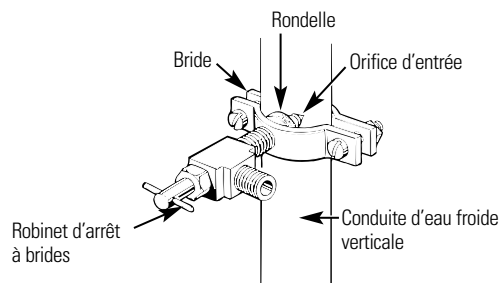
Fermez le robinet de la conduite d'eau principale

Ouvrez le robinet le plus près pour permettre à la conduite d'eau de se vider.

Installez le robinet d'arrêt

- 1 Installez le robinet d'arrêt sur la conduite d'eau potable fréquemment utilisée la plus proche.
- 2 Choisissez pour le robinet un emplacement facilement accessible. Il est préférable de l'installer sur le côté d'une conduite d'eau froide verticale. Si vous devez le raccorder à une conduite d'eau horizontale, effectuez le raccordement sur le dessus ou le côté plutôt qu'au fond de la conduite, afin d'éviter la chute de sédiments provenant de la conduite d'eau.
- 3 Percez un trou de 1/4 po dans la conduite d'eau, à l'aide d'un foret affûté. Enlevez les bavures produites lors du perçage de la conduite.
- 4 Fixez le robinet d'arrêt à la conduite d'eau froide à l'aide d'une bride.
- 5 Serrez les vis de la bride jusqu'à ce que la rondelle d'étanchéité commence à gonfler.

Ne serrez pas de façon excessive afin de ne pas écraser le tuyau de cuivre.



REMARQUE : Il faut se conformer aux Codes de plomberie 248CMR de l'état de Massachusetts. Au Massachusetts les robinets à brides sont illégaux, et leur usage est interdit. Consultez un plombier agréé.

Faites passer le tuyau de cuivre et raccordez-le au robinet d'arrêt

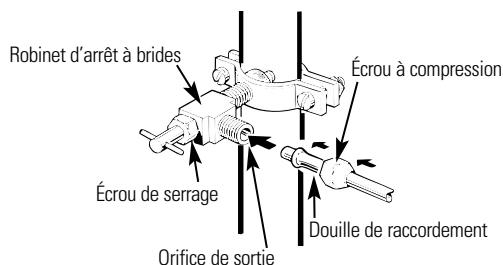
Placez le tuyau de cuivre entre la conduite d'eau froide et le réfrigérateur.

Faites passer le tuyau par un trou percé dans le plancher ou le mur (derrière le réfrigérateur ou à proximité de l'armoire) le plus près possible du mur.

Assurez-vous que la longueur de tuyau supplémentaire est suffisante [environ 8 pieds (244 cm) formant 3 boucles d'environ 10 po (25 cm) de diamètre] pour que vous puissiez éloigner le réfrigérateur du mur après l'installation.

Installez l'écrou à compression et la douille de raccordement à l'extrémité du tuyau et raccordez-le au robinet d'arrêt.

Assurez-vous que le tuyau est bien inséré à l'intérieur du robinet. Serrez solidement l'écrou à compression.



REMARQUE : Il faut se conformer aux Codes de plomberie 248CMR de l'état de Massachusetts. Au Massachusetts les robinets à brides sont illégaux, et leur usage est interdit. Consultez un plombier agréé.

Ouvrez le robinet et rincez le tuyau

- 1 Ouvrez le robinet de la conduite d'eau principale et rincez le tuyau jusqu'à ce que l'eau soit propre.
- 2 Coupez l'eau au niveau de l'électrovanne après avoir fait couler par le tuyau environ une pinte (1 L) d'eau.

Installation de la conduite d'eau.

Veillez lire toutes les directives attentivement.

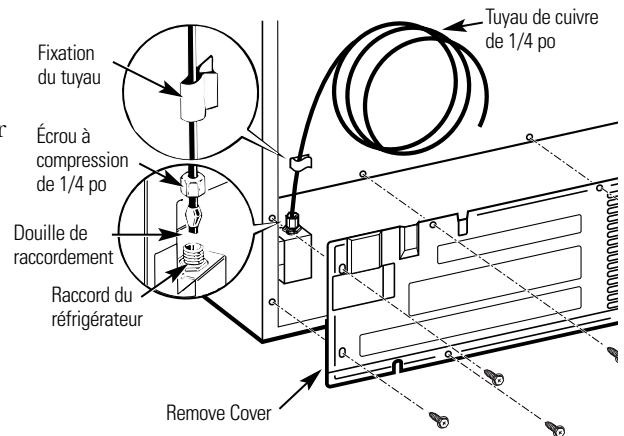
Raccordez le tuyau de cuivre au réfrigérateur

Avant d'effectuer le raccordement au réfrigérateur, assurez-vous que le cordon d'alimentation de l'appareil n'est pas branché dans la prise de courant.

Le schéma ci-dessous ressemblera au raccord de votre réfrigérateur.

Nous recommandons d'installer un filtre à eau si votre eau contient du sable ou des particules qui pourraient obstruer la rondelle-filtre de l'électrovanne du réfrigérateur. Installez ce filtre sur la conduite d'eau, à proximité du réfrigérateur.

- 1 Retirez le couvercle d'accès.
- 2 Retirez le capuchon en plastique souple du raccord du réfrigérateur.
- 3 Installez l'écrou à compression et la douille de raccordement à l'extrémité du tuyau, comme illustré.
- 4 Insérez l'extrémité du tuyau de cuivre le plus loin possible dans le raccord du réfrigérateur. Serrez le raccord tout en tenant le tuyau.
- 5 Insérez le tuyau de cuivre dans la fixation fournie pour le maintenir en place. Il peut être nécessaire d'ouvrir légèrement la fixation.
- 6 Réinstallez le couvercle d'accès.



Ouvrez le robinet d'arrêt de la conduite d'eau principale

- 1 Serrez tous les raccords qui fuient.
- 2 Remettez en place le couvercle d'accès et les vis (sur certains modèles).

Branchez le réfrigérateur

Disposez les boucles de tuyau de cuivre de façon qu'elles ne vibrent pas contre l'arrière du réfrigérateur ou le mur.

Remplacez le réfrigérateur près du mur.

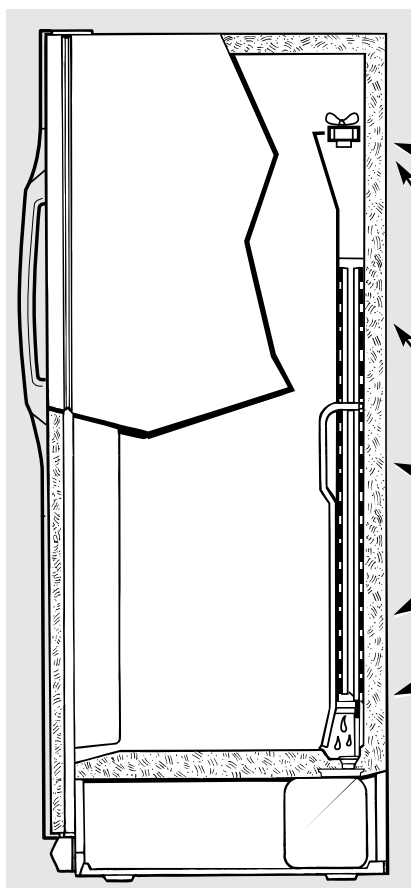
Mettez la machine à glaçons en marche

Réglez l'interrupteur d'alimentation de la machine à glaçons à **ON** (marche). La machine à glaçons ne commencera pas à fonctionner tant qu'elle n'aura pas atteint sa température de fonctionnement de 15°F (moins 9°C) ou moins. Elle se mettra en marche automatiquement si l'interrupteur d'alimentation de la machine à glaçons est à la position **ON** (marche).

REMARQUE : Dans des conditions de pression d'eau plus basse, il est possible que le robinet de prise d'eau s'ouvre jusqu'à 3 fois pour que suffisamment d'eau atteigne la machine à glaçons.



Ces bruits sont normaux et, pour la plupart, imputables au fonctionnement à haut rendement de l'appareil.



Les compresseurs modernes à haut rendement fonctionnent plus rapidement et produisent un bourdonnement ou un bruit de pulsation plus audible pendant le fonctionnement.

Les ventilateurs qui font circuler l'air à l'intérieur du compartiment réfrigérateur et du compartiment congélateur uniformisent la température dans tout le réfrigérateur.

Les ventilateurs fonctionnent à grande vitesse. Cela se produit quand vous branchez pour la première fois le réfrigérateur, quand vous ouvrez fréquemment les portes ou quand vous ajoutez une grande quantité de nourriture dans le compartiment réfrigérateur ou dans le compartiment congélateur.

Des gouttes d'eau tombent sur l'élément de dégivrage, ce qui produit un crépitement ou un sifflement pendant le cycle de dégivrage.

Le frigorigène qui circule dans les bobines de refroidissement du congélateur font un bruit qui ressemble à de l'eau qui bout ou à un gargouillis.

L'expansion et la contraction des bobines de refroidissement pendant le dégivrage et la réfrigération qui suit le dégivrage produisent des craquements.

De l'eau s'égoutte lorsqu'elle fond dans l'évaporateur et s'écoule dans le plateau de dégivrage pendant le cycle de dégivrage.

Machine à glaçons (sur certains modèles)

Le robinet de prise d'eau de la machine à glaçon émettra un bourdonnement lorsque la machine à glaçons se remplit d'eau. Si l'interrupteur d'alimentation est à la position **ON**, un bourdonnement se fera entendre même si le raccord à la conduite d'eau n'a pas encore été effectué. Maintenir l'interrupteur d'alimentation à la position **ON** avant le raccord à la conduite d'eau peut endommager la machine à glaçons. Pour prévenir ceci, réglez l'interrupteur d'alimentation à la position **OFF**. Le bourdonnement cessera.

Les glaçons font du bruit lorsqu'ils tombent dans le bac et lorsque l'eau circule dans les tuyaux pour remplir la machine à glaçons.

Avant d'appeler un réparateur...



Conseils de dépannage—Économisez du temps et de l'argent!
Consultez d'abord les tableaux qui suivent et vous pourrez peut-être éviter de faire appel à un réparateur.

Problème	Causes possibles	Correctifs
Le réfrigérateur ne fonctionne pas	Le cycle de dégivrage est peut-être en cours.	• Attendez environ 30 minutes afin que le cycle de dégivrage puisse terminer.
	Les commandes de température sont réglées sur 0 (éteint).	• Réglez les commandes de température sur un réglage de température.
	Le réfrigérateur est débranché.	• Enfoncez la fiche de l'appareil dans la prise murale.
	Le disjoncteur ou le fusible peut avoir sauté.	• Remplacez le fusible ou réenclenchez le disjoncteur.
Vibration ou bruit métallique (une légère vibration est normale)	Les roulettes de nivellement avant doivent être réglées.	• Consultez <i>Roulettes</i> .
Le moteur fonctionne pendant de longues périodes ou démarre et s'arrête fréquemment. (Les réfrigérateurs modernes et leurs congélateurs étant plus grands, leur moteur doit fonctionner plus longtemps. Ils démarrent et s'arrêtent afin de maintenir des températures uniformes.)	Ceci est normal lorsque le réfrigérateur vient d'être branché.	• Attendez 24 heures pour que le réfrigérateur refroidisse complètement.
	Une grande quantité d'aliments a été mise au réfrigérateur.	• C'est normal.
	Porte laissée ouverte.	• Vérifiez qu'il n'y a pas un paquet qui empêche la porte de fermer.
	Temps chaud ou ouverture fréquente des portes.	• C'est normal.
Température trop élevée dans le congélateur ou le réfrigérateur	Les commandes de température ont été réglées à la température la plus froide.	• Consultez <i>Les commandes</i> .
	La commande de température n'a pas été réglée à une température assez basse.	• Consultez <i>Les commandes</i> .
	Temps chaud ou ouverture fréquente des portes.	• Abaissez la commande de température d'une position. Consultez <i>Les commandes</i> .
Porte laissée ouverte.		• Vérifiez qu'il n'y a pas un paquet qui empêche la porte de fermer.
		• Vérifiez qu'il n'y a pas un paquet qui empêche la porte de fermer.
Givre sur les aliments surgelés (il est normal que du givre se forme à l'intérieur du paquet)	Porte laissée ouverte.	• Vérifiez qu'il n'y a pas un paquet qui empêche la porte de fermer.
	Les portes ont été ouvertes trop souvent ou pendant trop longtemps.	
La séparation entre le réfrigérateur et le congélateur est chaude	Le système automatique d'économie d'énergie fait circuler du liquide chaud autour du rebord avant du congélateur.	• Ceci empêche la formation de condensation sur l'extérieur du réfrigérateur.
Formation lente des glaçons (sur certains modèles)	Porte laissée ouverte.	• Vérifiez qu'il n'y a pas un paquet qui empêche la porte de fermer.
	La commande de température du congélateur n'est pas réglée à une température assez froide.	• Consultez <i>Les commandes</i> .
Mauvais goût/odeur de l'eau (sur certains modèles)	Le distributeur d'eau n'a pas été utilisé depuis longtemps.	• Faites couler l'eau jusqu'à ce que l'eau du système soit remplacée par de l'eau fraîche.

Problème	Causes possibles	Correctifs
La machine à glaçons ne fonctionne pas (sur certains modèles)	L'interrupteur d'alimentation de la machine à glaçons est à la position OFF .	• Réglez l'interrupteur d'alimentation à la position ON .
	L'alimentation en eau est coupée ou n'est pas raccordée.	• Consultez <i>Installation de la conduite d'eau</i> .
	Le compartiment congélateur est trop chaud.	• Attendez 24 heures pour que la température du réfrigérateur se stabilise.
	Un amas de glaçons dans le bac provoque l'arrêt de la machine à glaçons.	• Nivelez les glaçons à la main.
	Cubes de glace sont coincés dans le distributeur. (La lumière d'alimentation verte clignote).	• Débranchez le distributeur, enlevez les cubes et rebranchez le distributeur.
Odeur/saveur anormale des glaçons	Il faut nettoyer le bac à glaçons.	• Videz et lavez le bac à glaçons. Jetez les vieux glaçons.
	Des aliments ont transmis leur odeur/goût aux glaçons.	• Emballez bien les aliments.
	Il faut nettoyer l'intérieur du réfrigérateur.	• Consultez <i>Entretien et nettoyage</i> .
Petits glaçons ou glaçons creux à l'intérieur	Le filtre à eau est bouché.	• Remplacez la cartouche du filtre avec une nouvelle cartouche ou installez le bouchon du filtre.
Le distributeur de glaçons ne fonctionne pas (sur certains modèles)	La machine à glaçons est éteinte ou l'alimentation en eau a été coupée.	• Mettez en marche la machine à glaçons ou rétablissez l'alimentation en eau.
	Des glaçons sont collés au bras régulateur.	• Retirez les glaçons et réglez la machine à glaçons à la position ON (MARCHE).
	Distributeur est VERROUILLÉ .	• Appuyez et maintenez enfoncée la touche LOCK CONTROL (réglage du verrouillage) pendant 3 secondes.
	Blocs de glace irréguliers dans le bac à glaçons.	• Brisez-en autant que possible avec vos doigts et jetez ceux qui restent. • Le congélateur est peut-être trop chaud. Réglez la commande du congélateur sur une température plus basse, en abaissant la commande d'une position à la fois jusqu'à ce que les blocs de glace disparaissent.
L'eau versée dans le premier verre est chaude (sur certains modèles)	Normal lorsque le réfrigérateur est initialement installé.	• Attendez 24 heures pour que la température du réfrigérateur se stabilise.
	Le distributeur d'eau n'a pas été utilisé depuis longtemps.	• Faites couler l'eau jusqu'à ce que l'eau du système soit remplacée par de l'eau fraîche.
	Le réservoir d'eau vient d'être vidangé.	• Attendez plusieurs heures pour que l'eau refroidisse.
Le distributeur d'eau ne fonctionne pas (sur certains modèles)	L'alimentation en eau est coupée ou n'est pas raccordée.	• Consultez <i>Installation de la conduite d'eau</i> .
	Le filtre à eau est bouché.	• Remplacez la cartouche du filtre avec une nouvelle cartouche ou installez le bouchon du filtre.
	Il y a de l'air dans la conduite d'eau.	• Appuyez sur le bras de distribution pendant au moins deux minutes.
	Distributeur est VERROUILLÉ .	• Appuyez et maintenez enfoncée la touche LOCK CONTROL (réglage du verrouillage) pendant 3 secondes.
L'eau jaillit du distributeur	La cartouche du filtre vient d'être installée.	• Faites couler l'eau du distributeur pendant 3 minutes (environ 6 litres).

Avant d'appeler un réparateur...

Problème	Causes possibles	Correctifs
La machine à glaçons fonctionne, mais ne distribue pas d'eau	L'eau du réservoir est gelée.	• Appelez un réparateur.
	Le réglage de commande est trop froid.	• Réglez le commande de température sur un réglage plus chaud.
	Cubes de glace sont coincés dans le distributeur. (La lumière d'alimentation verte clignote).	• Débranchez le distributeur, enlevez les cubes et rebranchez le distributeur.
La machine à glaçons ne distribue ni eau ni glaçons	La conduite d'eau ou le robinet d'arrêt est bouché.	• Appelez un plombier.
	Le filtre à eau est bouché.	• Remplacez la cartouche du filtre avec une nouvelle cartouche ou installez le bouchon du filtre.
	Distributeur est VERROUILLÉ .	• Appuyez et maintenez enfoncée la touche LOCK CONTROL (réglage du verrouillage) pendant 3 secondes.
CUBED ICE (cubes de glace) était choisi mais CRUSHED ICE (glace concassée) a été distribuée (sur certains modèles)	Le réglage précédent était CRUSHED ICE .	• Quelques cubes sont restés et ont été concassés à cause du réglage précédent. C'est normal.
Odeur dans le réfrigérateur	Des aliments ont transmis leur odeur au réfrigérateur.	• Les aliments à odeur forte doivent être emballés hermétiquement.
	Il faut nettoyer l'intérieur.	• Gardez une boîte ouverte de bicarbonate de soude dans le réfrigérateur.
	Il faut nettoyer le système d'évacuation de l'eau de dégivrage.	• Consultez <i>Entretien et nettoyage</i> .
De la condensation s'accumule à l'extérieur	Cela n'est pas inhabituel pendant les périodes de forte humidité.	• Essuyez bien la surface extérieure.
De la condensation s'accumule à l'intérieur (par temps humide, l'ouverture des portes laisse entrer de l'humidité)	Les portes sont ouvertes trop fréquemment ou pendant trop longtemps.	
L'éclairage intérieur ne fonctionne pas	Il n'y a pas de courant au niveau de la prise.	• Remplacez le fusible ou réenclenchez le disjoncteur.
	L'ampoule est grillée.	• Consultez <i>Remplacement des ampoules</i> .
Eau sur le sol ou au fond du congélateur	L'orifice d'écoulement au fond du congélateur est peut-être bouché.	• Consultez <i>Entretien et nettoyage</i> .
	Il y a des glaçons bloqués dans le conduit.	• Faites passer les glaçons à l'aide d'une cuillère en bois.
La porte ne se ferme pas entièrement	Le joint de la porte colle ou se replie du côté des charnières.	• Appliquez un peu de vaseline sur la surface du joint.
Air chaud à la base du réfrigérateur	Courant d'air normal provenant du moteur. Pendant le processus de réfrigération, il est normal que de la chaleur soit expulsée à la base du réfrigérateur. Certains revêtements de sol sont sensibles et peuvent se décolorer sous l'effet de cette température de fonctionnement normale qui est sans danger.	
Lueur orange dans le congélateur	Le cycle de dégivrage est en cours.	• C'est normal.

GARANTIE DU CLIENT

(pour la clientèle au Canada)

Votre réfrigérateur est garanti contre tout défaut de matériau et de fabrication.

Ce que cette garantie couvre	Durée de garantie (à partir de la date d'achat)	Pièces Réparation ou remplacement au choix de Camco	Main-d'oeuvre
Compresseur	Dix (10) ans	Dix (10) ans	Dix (10) ans
Système scellé (y compris l'évaporateur, la tuyauterie du condenseur et le frigorigène)	Cinq (5) ans	Cinq (5) ans	Cinq (5) ans
Toutes les autres pièces	Un (1) an	Un (1) an	Un (1) an

TERMES ET CONDITIONS :

La présente garantie ne s'applique qu'à l'utilisation domestique par une seule famille au Canada, lorsque le réfrigérateur a été installé conformément aux instructions fournies par Camco et est alimenté correctement en eau et en électricité.

Les dommages dûs à une utilisation abusive, un accident, une exploitation commerciale, ainsi que la modification, l'enlèvement ou l'altération de la plaque signalétique annulent la présente garantie.

L'entretien effectué dans le cadre de la présente garantie doit l'être par un réparateur agréé Camco.

Camco et le marchand ne peuvent être tenus pour responsables en cas de réclamations ou dommages résultant de toute panne du réfrigérateur ou d'un entretien retardé pour des raisons qui raisonnablement échappent à leur contrôle.

L'acheteur doit, pour obtenir un service dans le cadre de la garantie, présenter la facture originale. Les éléments réparés ou remplacés ne sont garantis que pendant le restant de la période de garantie initiale.

Cette garantie est en sus de toute garantie statutaire.

IMPORTANT

Gardez cette garantie et votre facture originale comme preuve d'achat et preuve de la date d'achat.

EXCLUSIONS DE LA GARANTIE :

- Visites à domicile pour vous apprendre à vous servir de l'appareil.
- Dommages causés à la peinture ou à l'émail après livraison.
- Installation incorrecte—l'installation correcte inclut la bonne circulation d'air pour le système de réfrigération, des possibilités de branchement aux circuits électriques, d'alimentation en eau et autres.
- Remplacement de la cartouche de filtre d'eau à la fin de sa durée d'utilisation normale.
- Remplacement des fusibles ou réarmement des disjoncteurs.
- Remplacement des ampoules électriques.
- Dommages subis par l'appareil à la suite d'un accident, d'un incendie, d'inondations ou en cas de force majeure.
- Perte des aliments due à la détérioration.
- Utilisation correcte et entretien adéquat de l'appareil selon le manuel d'utilisation, réglage correct des commandes.
- **LE GARANT N'EST PAS RESPONSABLE DES DOMMAGES INDIRECTS.**

Camco vous offre ses services dans tout le pays. Pour de plus amples renseignements sur la présente garantie, veuillez prendre contact avec :

Directeur, Relations avec les consommateurs
Camco Inc., Bureau 310
1 Factory Lane
Moncton, N.B.
E1C 9M3

*Agrapez votre reçu ici.
Vous devez fournir la preuve de
l'achat original pour obtenir des
services en vertu de la garantie.*

Feuillet de données relatives à la performance

Cartouche GWF du système de Filtration d'eau GE SmartWater

Revendication de performance de santé certifiée par NSF/ANSI*

(facteurs intégrés de sécurité à 100% pour une utilisation sans compteur)

Norme N° 42 : Effets esthétiques						
Paramètre	USEPA MCL	Qualité influent	Effluent		% de réduction	
			Moyenne	Maximum	Moyenne	Minimum
Chlore		1,9 ppm	0,02 ppm	0,05 ppm	98,90%	97,37%
T & O	-	-	-	-	-	-
Particules**	-	200.000	3.978	7.800	98,00%	96,10%

Norme N° 53 : Effets de santé						
Paramètre	USEPA MCL	Qualité influent	Effluent		% de réduction	
			Moyenne	Maximum	Moyenne	Minimum
Turbidité	1 NTU***	24,3 NTU	0,07 NTU	0,1 NTU	99,71%	99,59%
Spores	99,95% réduction	105.750	26	55	99,97%	99,95%
Plomb au pH 6,5	15 ppb	160 ppb	1 ppb	1 ppb	99,37%	99,37%
Plomb au pH 8,5	15 ppb	150 ppb	1,8 ppb	4,3 ppb	98,80%	97,13%
Lindane	0,0002 ppm	0,00062 ppm	0,00005 ppm	0,00005 ppm	91,93%	91,93%
Atrazine	0,003 ppm	0,0084 ppm	0,002 ppm	0,003 ppm	76,19%	64,28%
2,4-D	0,100 ppm	0,272 ppm	0,0264 ppm	0,080 ppm	90,29%	70,58%
Asbestos	99%	690 MFL/ml	0,32 MFL/ml	1,2 MFL/ml	99,95%	99,82%

* Testé utilisant un débit de 0,5 gpm; une pression de 60 psig; un pH de 7,5 ± 0,5; et une temp. de 20 °C ± 25 °C.

** Mesures en particules/ml

*** NTU = unités de turbidité néphélométrique

Spécifications d'opération

- Capacité : certifiée jusqu'à maximum de 300 gallons (1135 l); jusqu'à maximum d'un an
- Exigence en matière de pression : 2,8 à 8,2 bar (40 à 120 psi), sans choc
- Température : 0,6°-38 °C (33°-100 °F)
- Débit : 1,9 lpm (0,5 gpm)

Exigences générales d'installation/opération/entretien

- Rincez la nouvelle cartouche à plein débit pendant 3 minutes afin de libérer de l'air.
- Remplacez la cartouche lorsque le débit devient trop lent.

Avis spéciaux

- Les directives d'installation, la disponibilité de pièces et de service ainsi que la garantie standard sont expédiées avec le produit.
- Ce système d'eau potable doit être entretenu conformément aux directives du fabricant, y compris le remplacement des cartouches du filtre.
- N'utilisez pas lorsque l'eau présente un danger microbiologique ou lorsque l'eau est d'une qualité inconnue sans désinfecter adéquatement le système avant ou après; le système peut servir pour de l'eau désinfectée qui pourrait contenir des spores filtrables.
- Les contaminants ou autres substances retirées ou réduites par ce système de traitement de l'eau ne sont pas nécessairement dans votre eau.
- Vérifiez pour vous assurer de vous conformer aux lois et règlements locaux et de l'état.

Testée et certifiée selon les normes 42 et 53 de ANSI/NSF pour la réduction de :	
Norme N° 42 : Effets esthétiques	Norme N° 53 : Effets de santé
Unité chimique	Unité de réduction chimique
Réduction d'odeur et de goût	Réduction de plomb et Atrazine
Réduction de chlore, catégorie I	Réduction de Lindane et 2,4-D
Unité de filtration mécanique	Unité de filtration mécanique
Réduction de particules, catégorie I	Réduction de spores
	Réduction de turbidité



Fabriquée pour : General Electric Company, Louisville, KY 40225

Numéros de service.



GE Answer Center® Aux États-Unis : 800.626.2000

Notre service d'information est ouvert 24 heures par jour, 7 jours par semaine.

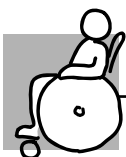
Au Canada, écrivez au Directeur, Relations avec les consommateurs, Camco Inc., Bureau 310, 1 Factory Lane, Moncton, N.B. E1C 9M3.



Réparations à domicile Aux États-Unis : 800-432-2737

Pour faire réparer votre électroménager GE, il suffit de nous téléphoner.

Au Canada, appelez le 1-800-361-3400.



Pour les besoins particuliers Aux États-Unis : 800.626.2000

Sur demande, GE peut fournir une brochure sur l'aménagement d'une cuisine pour les personnes à mobilité réduite. **Aux États-Unis**, appelez le **800-TDD-GEAC (800-833-4322)**.

Au Canada, écrivez au Directeur, Relations avec les consommateurs, Camco Inc., Bureau 310, 1 Factory Lane, Moncton, N.B. E1C 9M3.



Contrats d'entretien Aux États-Unis : 800-626-2224

Achetez un contrat d'entretien GE avant que votre garantie n'expire et bénéficiez d'un rabais substantiel. Ainsi le service après-vente GE sera toujours là après expiration de la garantie.

Au Canada, appelez le 1-800-461-3636.



Pièces et accessoires Aux États-Unis : 800-626-2002*

Ceux qui désirent réparer eux-mêmes leurs électroménagers peuvent recevoir pièces et accessoires (* y compris les filtres à eau) directement à la maison (cartes VISA, MasterCard et Discover acceptées).

Les directives stipulées dans le présent manuel peuvent être effectuées par n'importe quel utilisateur. Les autres réparations doivent généralement être effectuées par un technicien qualifié. Soyez prudent, car une réparation inadéquate peut affecter le fonctionnement sécuritaire de l'appareil.

Les clients **au Canada** devraient consulter les pages jaunes pour connaître la succursale Camco la plus près, ou appelez le 1-800-361-3400.



Un service satisfaisant

Si vous n'êtes pas satisfait du service après-vente dont vous avez bénéficié :

Premièrement, communiquez avec les gens qui ont réparé votre appareil.

Ensuite, si vous n'êtes toujours pas satisfait, **aux États-Unis**, envoyez tous les détails—numéro de téléphone compris—au Manager, Customer Relations, GE Appliances, Appliance Park, Louisville, KY 40225; ou, **au Canada**, au Directeur, Relations avec les consommateurs, Camco Inc., Bureau 310, 1 Factory Lane, Moncton, N.B. E1C 9M3.

Seguridad	<i>Información de seguridad</i>
	Adaptadores 72 Cables de extensión 71 Conectar la electricidad 72 Deshacerse debidamente de su refrigerador 71 Precauciones de seguridad 71
Operación	<i>Instrucciones de operación</i>
	Características adicionales 77 Cómo sacar las gavetas 78 Cuidado y limpieza del refrigerador 81, 82 El dispensador de agua y de hielo . . 80, 81 El dispositivo automático para hacer hielo 79 Gavetas para guardar 78 Los controles de refrigerador 73 Los entrepaños y recipientes del refrigerador 75, 76 Los filtros de agua y FreshSaver™ 74 Puertas del refrigerador 77 Reemplazo de bombillas 83
Instalación	<i>Instrucciones de instalación</i>
	Cómo retirar y reemplazar las puertas 91 Instalación de la línea de agua 92–94 Molduras y paneles decorativos 86–90 Preparación para instalar el refrigerador 84, 85
Solucionar problemas	<i>Solucionar problemas</i>
	Antes de solicitar un servicio 96–99 Sonidos normales de la operación 95
Servicio al consumidor	<i>Servicio al consumidor</i>
	Garantía para consumidores en los Estados Unidos 101 Hoja de datos de funcionamiento 102 Números de servicio 103

⚠ ¡ADVERTENCIA!

Use este aparato sólo para los fines que se describen en este Manual del propietario.

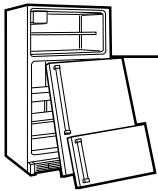


PRECAUCIONES DE SEGURIDAD

Cuando use electrodomésticos, siga las precauciones básicas de seguridad, incluyendo las siguientes:

- Antes de usarse, este refrigerador deberá estar instalado y ubicado de acuerdo con las instrucciones de instalación.
- No permita que los niños se suban, se paren o se cuelguen de las charolas del refrigerador. Podría dañarse el refrigerador y causarles serias lesiones.
- No toque las superficies frías del congelador cuando tenga las manos húmedas o mojadas. La piel se podría adherir a las superficies extremadamente frías.
- No guarde ni use gasolina u otros vapores o líquidos inflamables cerca de este o cualquier otro aparato.
- Aleje los dedos fuera de las áreas donde se puede pinchar los dedos; los espacios entre las puertas y entre las puertas y los gabinetes son necesariamente estrechos. Cierre las puertas con cuidado en la presencia de los niños.
- Si su refrigerador tiene un dispositivo automático para hacer hielo, evite el contacto con las partes móviles del mecanismo de expulsión, o con el elemento calefactor que desprende los cubos. No ponga los dedos ni las manos en el mecanismo automático para hacer hielo mientras el refrigerador esté conectado.
- Desconecte el refrigerador antes de limpiarlo o efectuar reparaciones.
NOTA: Recomendamos enfáticamente encargar cualquier servicio a un personal calificado.
- El colocar el control en posición **0** no quita la corriente del circuito de la luz.
- No vuelva a congelar los alimentos congelados una vez que se hayan descongelado.

⚠ ¡PELIGRO! RIESGO DE QUE UN NIÑO PUEDA QUEDAR ATRAPADO DESHACERSE DEBIDAMENTE DE SU REFRIGERADOR



El atrapamiento y la sofocación de los niños no son un problema del pasado. Los refrigeradores abandonados son un peligro...aunque sea sólo por "pocos días." Si se deshace de su viejo refrigerador, por favor siga las instrucciones abajo para ayudarnos a prevenir algún accidente.

Antes de deshacerse de su viejo refrigerador o congelador:

- Quite las puertas.
- Deje los entrepaños en su sitio para que los niños no se suban.

Deshacerse del CFC

Su antiguo refrigerador puede tener un sistema de refrigeración que usó CFC (clorofluorocarbonos). Se cree que los CFC son nocivos para el ozono estratosférico.

Si se deshace del antiguo refrigerador, asegúrese de que se deshaga del refrigerante con CFC correctamente por un técnico calificado. Si se libera a propósito el refrigerante con CFC puede estar sujeto a las multas y al encarcelamiento bajo las estipulaciones de la legislación ambiental.

USO DE CABLES DE EXTENSION

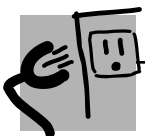
Debido a los accidentes potenciales que pudieran ocurrir bajo determinadas condiciones, se recomienda estrictamente no usar cables de extensión.

Sin embargo, si decidiera usarlos, es absolutamente necesario que sea del tipo UL trifilar para aparatos y cuente con una clavija con conexión a tierra y que el cable eléctrico sea de 15 amperios (mínimo) y 120 voltios.

INFORMACIONES IMPORTANTES DE SEGURIDAD. LEA PRIMERO TODA LAS INSTRUCCIONES.

Seguridad

⚠ ¡ADVERTENCIA!



COMO CONECTAR LA ELECTRICIDAD

Bajo ninguna circunstancia debe cortar o quitar la tercera punta (tierra) de la clavija. Para su seguridad personal, este aparato deberá conectarse debidamente a tierra.

El cable eléctrico de este aparato está equipado con una clavija de tres puntas (tierra) que enchufa en un contacto estándar de pared de tres salidas (tierra) para reducir al mínimo la posibilidad de daños por un choque eléctrico con este aparato.

Haga que un electricista calificado verifique el enchufe de la pared y el circuito para asegurarse que la salida esté conectada debidamente a tierra.

Donde se disponga sólo de un contacto de pared con salida para dos puntas, es su responsabilidad personal y su obligación reemplazarlo por un contacto adecuado para tres puntas con conexión a tierra.

El refrigerador deberá conectarse siempre en su propio contacto eléctrico individual que tenga un voltaje que vaya de acuerdo con la tabla de clasificación.

Esto garantiza la mejor ejecución y evita la sobrecarga del circuito eléctrico de la casa y los daños a causa del sobrecalentamiento de los cables.

Nunca desconecte el refrigerador jalando el cable. Tome siempre firmemente la clavija y sáquela del contacto sin doblarla.

Repáre o reemplace inmediatamente todos los cables eléctricos de servicio que se hayan desgastado o dañado en alguna otra forma. No utilice cables que muestren roturas o daños por abrasión a lo largo de éste ni en la clavija o en alguno de sus extremos.

Al alejar su refrigerador de la pared, cuide que no pase sobre el cable o lo dañe.

Operación

Instalación



USO DE LOS ADAPTADORES *(No se permite usar enchufes adaptadores en Canadá)*

Debido a los accidentes potenciales relacionados con la seguridad bajo determinadas circunstancias, recomendamos estrictamente no utilizar un adaptador para clavija.

Sin embargo, si se decidiera usar un adaptador donde los códigos locales lo permitan, es necesario hacer una **conexión temporal** a un contacto de pared para dos puntas debidamente conectado a tierra utilizando un adaptador UL, mismo que puede adquirirse en comercios locales especializados.

La punta más larga del adaptador se deberá alinear con la entrada larga del contacto con el fin de tener la polaridad adecuada en la conexión de la clavija.

Al desconectar el cable del adaptador, deténgalo siempre con una mano tirando a la vez el cable eléctrico con la otra mano. De no hacerlo puede causar que el adaptador se rompiera después de mucho uso.

Si se rompiera la terminal a tierra del adaptador, **NO USE** el aparato hasta que se haya reestablecido la conexión a tierra de manera adecuada.

La conexión de la terminal de tierra del adaptador a la salida del contacto de pared no conecta el aparato a tierra, a no ser que el tornillo de la tapa sea de metal y no esté aislado y que el contacto de la pared esté conectado a tierra a través del cableado de la casa. Un electricista calificado deberá revisar el circuito para asegurarse de que el contacto esté debidamente conectado a tierra.

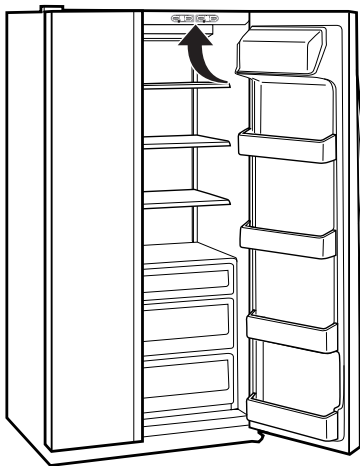
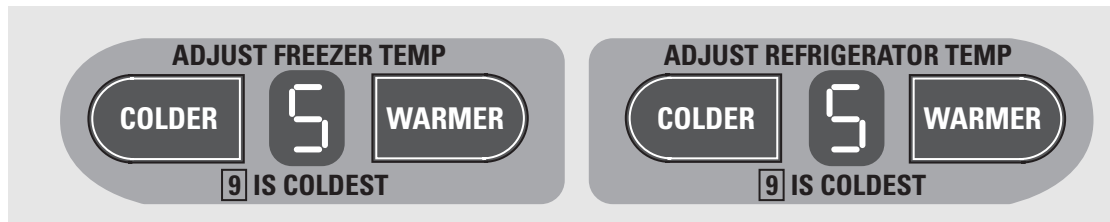
Solucionar problemas

Servicio al consumidor



FAVOR DE LEER Y SEGUIR CUIDADOSAMENTE LAS PRECAUCIONES DE SEGURIDAD.

GUARDE ESTAS INSTRUCCIONES



Los controles de temperatura vienen preconfigurados de fábrica a **5** tanto para los compartimentos del refrigerador como para los del congelador. Deje pasar 24 horas para que la temperatura se estabilice en los niveles preconfigurados.

Cuando se coloca cualquiera de los dos controles a **0**, o los dos, los compartimentos del refrigerador y el congelador dejan de enfriar, pero esto no deja sin corriente eléctrica al refrigerador.

Los ajustes de los controles cambiarán según las preferencias personales, la utilización y las condiciones de operación y pudieran necesitar más de un ajuste.

NOTA: El refrigerador se envía con una película de protección que cubre los controles de la temperatura. Si esta película no se retiró durante la instalación, hágalo ahora.



Comprobar y ajustar la temperatura

Pudieran ser necesarios varios ajustes. Para cada ocasión que usted ajuste los controles, deberá permitir que pasen 24 horas para que el refrigerador alcance la temperatura que usted fijó.



Para comprobar el congelador, coloque un recipiente con helado en el centro del congelador. Revise después de 24 horas. Si está demasiado duro o demasiado líquido, modifique el ajuste.



Para comprobar el compartimiento de alimentos frescos, coloque alguna bebida en el entrepaño superior. Pruebe la bebida después de 24 horas. Si la temperatura no es satisfactoria, modifique el ajuste.

Sistema de rendimiento de circulación de aire

El Sistema de Rendimiento de Circulación de Aire está diseñado para maximizar el control de la temperatura en los compartimentos del refrigerador y del congelador. Esta característica exclusiva especial consiste en la Torre de Aire a lo largo de las paredes superiores y posteriores del refrigerador y del Túnel de Aire en la porción inferior de la pared posterior del congelador. Colocar alimentos enfrente de los listones de estos compartimentos no afectará el rendimiento. Aunque la Torre de Aire y el Túnel de Aire pueden ser removidos, hacerlo afectará el rendimiento o el desarrollo de la temperatura. (Para instrucciones relacionadas con la manera de removerlos, en línea, 24 horas al día, póngase en contacto con nosotros visitándonos a www.GEAppliances.com llamándonos al 800-GE-CARES.)

Los filtros de agua y FreshSaver™

En algunos modelos

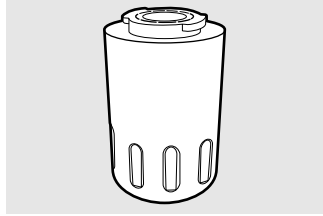
Seguridad

Operación

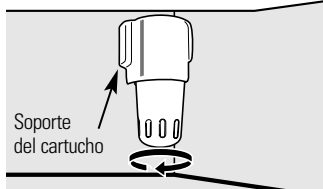
Instalación

Solucionar problemas

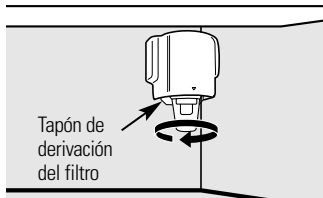
Servicio al consumidor



Deseche la tapa de plástico.



Ponga la parte superior del cartucho hacia arriba dentro del soporte del cartucho y gírelo lentamente hacia la derecha.



Instalar el cartucho del filtro

El cartucho del filtro de agua está ubicado en la esquina superior derecha trasera del compartimento del refrigerador.

¿Cuándo se debe reemplazar el filtro?

En el dispensador hay una luz de indicación de recambio del cartucho del filtro del agua. Esta luz se volverá anaranjada para advertirle que necesita reemplazar el filtro pronto.

El cartucho del filtro debería reemplazarse cuando la luz indicadora de recambio se vuelva roja o si la salida de agua al dispensador o al dispositivo para hacer hielo disminuyera.

Instalar el cartucho del filtro

- 1 Si está cambiando el cartucho, remueva primero el viejo girándolo lentamente hacia la izquierda. **No** jale el cartucho directamente hacia abajo. Un poco de agua puede gotear.
- 2 Situando la flecha en el cartucho a la altura del soporte del mismo, coloque la parte superior del nuevo cartucho hacia arriba dentro del soporte. **No** empuje el cartucho hacia arriba a dentro del soporte.
- 3 Gire el cartucho lentamente hacia la derecha hasta que el cartucho se pare. **NO APRETAR MUY FUERTE.** Mientras está girándolo, el se alzará por sí mismo en su posición.

4 Deje correr el agua desde el dispensador por 3 minutos (aprox. 1½ galons) para aclarar el sistema y para prevenir salpicaduras.

5 Presione la tecla **RESET WATER FILTER** en el dispensador y manténgala presionada durante tres segundos.

NOTA: Un cartucho de filtro de agua recién instalado puede **causar el agua de chorrear** del dispensador.

Tapón de derivación del filtro

Se debe usar el tapón de derivación del filtro cuando un cartucho de filtro de reemplazamiento no se puede encontrar. El dispensador y el dispositivo para hacer hielo no pueden funcionar sin el filtro o sin el tapón de derivación del filtro.

Filtros de recambio:

Para pedir cartuchos adicionales en los Estados Unidos, visite nuestro sitio Web, www.GEAppliances.com, o llame a GE para partes y accesorios al 800-626-2002.

GWF

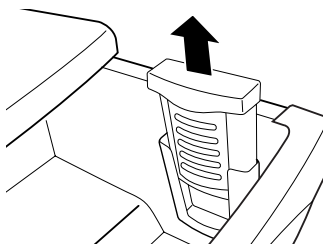
Precio sugerido de venta al público \$34.95.

Filtro FreshSaver™

Este filtro está situado dentro de la gaveta de los productos frescos y ayuda a mantener frescas las frutas y vegetales.

La duración de este filtro es de **seis meses** aproximadamente.

Para pedir filtros adicionales en los Estados Unidos, visite nuestro sitio Web, www.GEAppliances.com, o llame a GE para partes y accesorios al 800-626-2002.



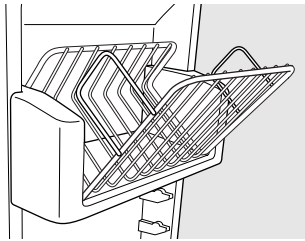
¿Cuándo se debe reemplazar el filtro?

En el panel de control de temperatura hay una luz de indicación de recambio del filtro FreshSaver. Esta luz se volverá naranja para indicarle que necesitará cambiar el filtro pronto. Cuando esta luz de indicación se vuelva roja habrá llegado el momento de reemplazar el filtro. Al colocar un nuevo filtro, primero saque la cubierta de plástico de la parte trasera, luego introduzca el nuevo filtro en el soporte. Después de instalar el nuevo filtro, presione la tecla **RESET** en el panel de control de temperatura y manténgala presionada durante tres segundos.

No todos los modelos tienen todas las características.



Recipiente del refrigerador



Recipiente inclinado del congelador

Recipientes de puerta del refrigerador y recipientes inclinables de puerta de congelador

Recipientes grandes

Los recipientes de la puerta del refrigerador y los recipientes inclinables de puerta de congelador más grandes son ajustables.

Para extraerlos: Levante la parte frontal del recipiente hacia arriba, luego levántelo y sáquelo.

Para reemplazarlos o reubicarlos: Ajuste la parte trasera del recipiente en los soportes moldeados de la puerta. Luego presione hacia abajo en la parte frontal del recipiente. El recipiente se ajustará en su sitio.

Recipientes pequeños

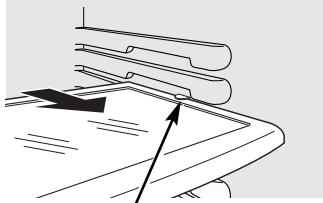
Para extraerlos: Levante la parte frontal del recipiente hacia arriba, luego sáquelo.

Para reemplazarlos: Sitúe el recipiente por encima de los soportes moldeados rectangulares en la puerta. Luego deslice el recipiente hacia abajo hacia el soporte para que se ajuste en su lugar.

La **tapa deslizante** ayuda a prevenir que un golpecito haga derramarse algo o que las cosas pequeñas guardadas en el interior del entrepaño de la puerta se caigan o resbalen. Ponga un dedo en cada lado de la tapa deslizante hacia la parte trasera y muévala hacia delante y hacia atrás para que se ajuste a sus necesidades.

Los entrepaños y recipientes del refrigerador.

No todos los modelos tienen todas las características.



Presione la lengüeta y jale hacia delante del entrepaño para sacarlo.

Entrepaño deslizante a prueba de derramamientos

El entrepaño deslizante permite alcanzar artículos guardados atrás de otros. Los bordes especiales están diseñados para ayudar a prevenir derramamientos o goteos a los entrepaños que se encuentran más abajo.

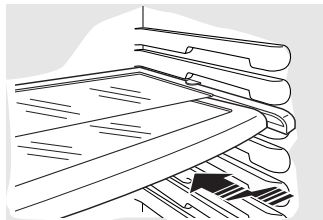
Asegúrese de haber empujado los entrepaños hasta el fondo antes de cerrar la puerta.

Para sacarlos:

Deslice el entrepaño hacia fuera hasta que llegue al punto donde se **atranca**, luego apriete la lengüeta hacia abajo y deslice el entrepaño directamente hacia fuera.

Para reemplazarlos o reubicarlos:

Sítúe el entrepaño a la altura de las guías y deslícelo hacia su lugar.

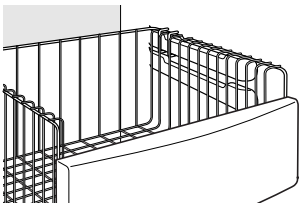


Entrepaño QuickSpace™

Este entrepaño se divide en dos y la mitad se desliza debajo de sí mismo para guardar artículos muy altos ubicados en el entrepaño que se encuentra más abajo.

En algunos modelos, este entrepaño no puede usarse en la posición más baja.

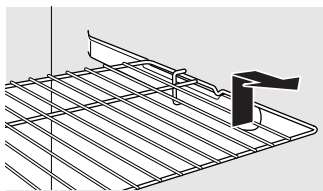
Este entrepaño se puede sacar y cambiar y también puede reubicarse igual que los entrepaños deslizables a prueba de derramamientos.



Cestas de congelador

Para sacarlas, deslícelas hasta que lleguen al punto donde se atrancan, levante la parte frontal hasta sobrepasar el punto donde se **atranca** y levántelas.

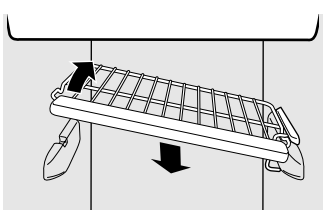
Asegúrese de haber empujado las cestas hasta el fondo antes de cerrar la puerta.



Entrepaños deslizantes del congelador

Para sacarlos, deslícelos hasta que lleguen al punto donde se atrancan, levante la parte frontal hasta sobrepasar el punto donde se **atranca** y levántelos.

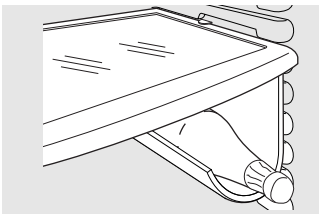
Asegúrese de haber empujado los entrepaños hasta el fondo antes de cerrar la puerta.



Entrepaños fijos del congelador

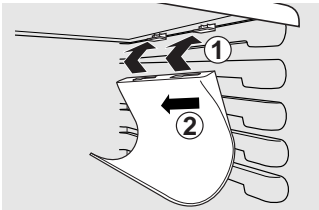
Para sacarlos, levante el entrepaño hacia arriba y extráigalo.

No todos los modelos tienen todas las características.



Colgador de bebidas extraíble

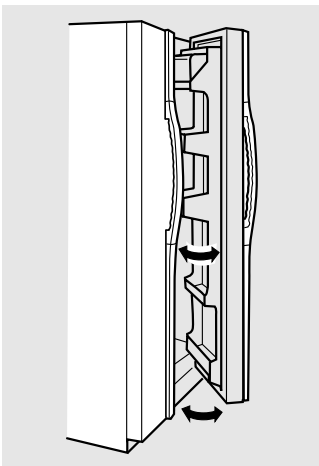
El colgador de bebidas está diseñado para sostener una botella del lado. Se puede sujetar con cualquier entrepaño deslizante.



Para instalarlo:

- 1 Alinee la parte grande de las aberturas en la parte superior del colgador con las lengüetas por debajo del entrepaño.
- 2 Luego deslice el colgador hacia atrás para que quede encajado en su lugar.

Puertas del refrigerador.



Puertas del refrigerador

Es posible que Ud. note una diferencia entre el manejo de las puertas de su antiguo y nuevo refrigerador. La característica especial de apertura y cierre de las puertas asegura que estas cierren por completo y permanezcan selladas firmemente.

Cuando Ud. abre o cierre las puertas, notará una posición de **tope de parada**. Si la puerta es abierta más allá de este punto, permanecerá abierta permitiéndole así de meter y sacar alimentos del refrigerador con más facilidad. La puerta se cerrará automáticamente sólo cuando está parcialmente abierta.

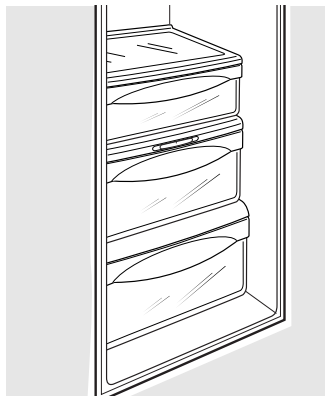
La resistencia que Ud. puede notar en la posición de **tope de parada** es menor a medida que la puerta es cargada con alimentos.

La puerta se cerrará automáticamente sólo cuando está parcialmente abierta.

Más allá de la posición de **tope de parada**, la puerta permanecerá abierta.

Gavetas para guardar.

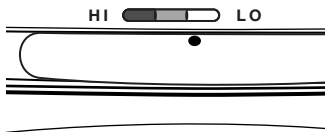
No todos los modelos tienen todas las características.



Gavetas para guardar.

El exceso de agua que pueda acumularse en el fondo de las gavetas deben ser secadas.

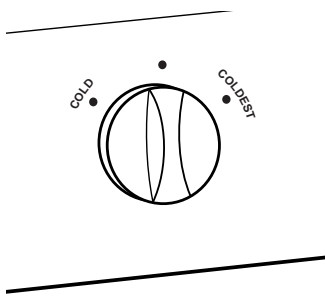
En algunos modelos la gaveta de abajo tiene una cubierta que se desliza hacia atrás cuando se abre la gaveta. Esto permite un acceso completo a la gaveta. Cuando la gaveta se cierra, la cubierta se deslizará hacia adelante a su posición original.



Gavetas con humedad ajustable

Deslice el control hasta llegar a la posición **HI** (alto) para proporcionar el alto nivel de humedad recomendado para la mayoría de los vegetales.

Deslice el control hasta llegar a la posición **LO** (bajo) para proporcionar el nivel de baja humedad recomendado para la mayoría de las frutas.



Gaveta convertible para carnes

Esta gaveta convertible para carnes tiene su propio conducto de refrigeración, el cual permite la circulación en dicha gaveta de aire frío proveniente del congelador.

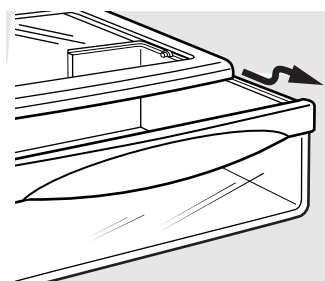
El control de temperatura variable regula la circulación de aire proveniente del Climate Keeper.

Coloque la palanca del control hacia **arriba** en la posición fría para adaptar la gaveta a la temperatura normal del refrigerador y obtener así más espacio en el que guardar hortalizas. El conducto de refrigeración queda apagado. Se pueden seleccionar posiciones variables entre estos extremos.

Coloque la palanca del control hacia **abajo** en la posición más fría para conservar la carne fresca. Si la palanca se deja mucho tiempo en esta posición, se podrá formar escarcha en el interior de la gaveta.

Cómo sacar las gavetas.

No todos los modelos tienen todas las características.

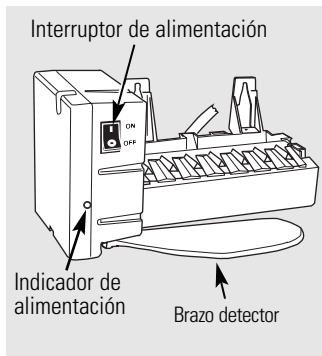


Como sacar las gavetas

Pueden extraerse fácilmente levantándolas ligeramente y jalando de ellas hasta pasar el punto donde se **atracan**.

Si no puede quitar las gavetas a causa de la puerta, primero trate de sacar las bandejas de la puerta. Si esto no proporciona el espacio necesario, se necesitará hacer rodar el refrigerador hacia adelante hasta que la puerta se abra lo bastante para deslizar las gavetas hasta quitarlas. En algunos casos, cuando se hace rodar el refrigerador, hacia adelante se necesitará moverlo el refrigerador hacia la izquierda o derecha al mismo tiempo.

Un refrigerador recién instalado puede tardar hasta 12 a 24 horas antes de empezar a hacer hielo.



Dispositivo automático para hacer hielo (en algunos modelos)

El dispositivo para hacer hielo producirá siete cubos por ciclo—aproximadamente 100–130 cubos en un ciclo de 24 horas, dependiendo de la temperatura del congelador, de la temperatura ambiente, del número de veces que se abra la puerta y de otras condiciones del uso.

Si el refrigerador se usa antes de que se haga la conexión de agua al dispositivo para hacer hielo, coloque el interruptor de alimentación eléctrica en la posición **OFF** (Apagado).

Cuando el refrigerador está conectado al suministro de agua, coloque el interruptor de alimentación eléctrica en la posición **ON** (Encendido).

El dispositivo para hacer hielo se llenará de agua cuando la temperatura alcance el punto de congelación. Un refrigerador recién instalado puede necesitar entre 12 y 24 horas para empezar a hacer hielo.

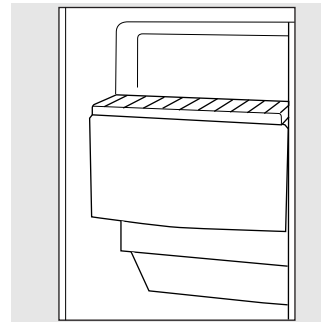
Deshaga las primeras cargas de cubos de hielo para permitir que la línea de agua se limpie.

Asegúrese de que nada impide el movimiento del brazo detector.

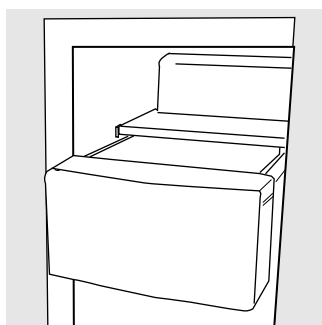
Cuando el recipiente está lleno (al nivel del brazo detector), el dispositivo para hacer hielo no producirá hielo.

Es normal que algunos cubos salgan pegados.

Si no se usa hielo con frecuencia, los cubos de hielo viejos se opacan, adquieren un sabor rancio y se contraen.



Hay un entrepaño en la parte superior del congelador por encima del dispositivo para hacer hielo que puede usarse para almacenamiento.



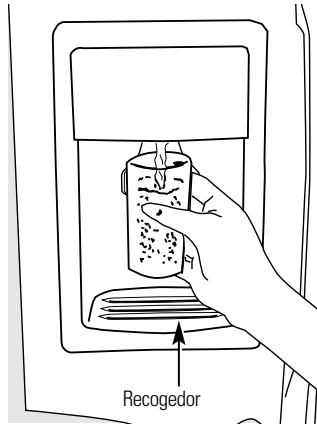
Gaveta de almacenamiento de hielo

Para tener acceso al hielo, jale de la gaveta hacia delante.

Para sacar la gaveta, jale de la misma hacia fuera y levántela hasta sobrepasar el punto donde se **atranca**.

El dispensador de agua y de hielo.

En algunos modelos



Para usar el dispensador

Seleccione **CUBED ICE** (cubos de hielo), **CRUSHED ICE** (hielo triturado) o **WATER** (agua).

Presione el vaso suavemente contra el brazo del dispensador.

El recogedor no se vacía solo. Para evitar las manchas de agua, el recogedor y la parrilla se deberán limpiar regularmente.

Si no hay distribución de agua cuando el refrigerador está primeramente instalado, hay posibilidad de aire en el sistema de la línea de agua. Oprima el brazo del dispensador durante al menos dos minutos para eliminar el aire atrapado de la línea de agua y llenar el sistema. Para eliminar las impurezas de la línea de agua, deseche los primeros seis vasos de agua.

PRECAUCION: No introduzca nunca los dedos ni otros objetos en la apertura del dispensador de hielo triturado.

Para bloquear el dispensador

Presione la tecla **LOCK CONTROL** (control de bloqueo) durante 3 segundos para cerrar el dispensador y el panel de control. Para desbloquearlo, presione la misma tecla durante 3 segundos nuevamente.

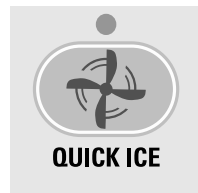


Dispenser Light (Luz del dispensador)



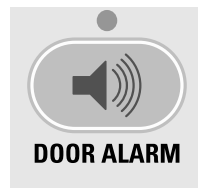
Esta tecla enciende y apaga la **luz nocturna** del dispensador. La luz también se enciende al presionar el brazo del dispensador. Si esta luz se funde debería reemplazarse con una bombilla de un máximo de 6 vatios.

Quick Ice (Hielo rápido)



Cuando necesite hielo rápidamente, presione esta tecla para acelerar la producción de hielo. Esto incrementará la producción de hielo durante las próximas 48 horas o hasta que vuelva a presionar la tecla.

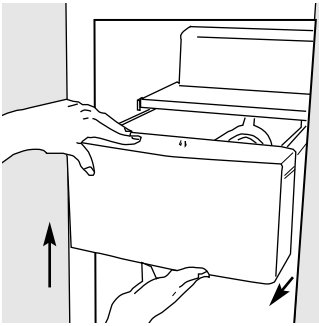
Door Alarm (Alarma de puerta)



Para ajustar la alarma, presione esta tecla hasta que la luz indicadora se encienda. Esta alarma sonará si cualquiera de la puerta estuviera abierta por más de 3 minutos. La luz y el sonido cesan automáticamente al cerrarse la puerta.

Datos importantes de su dispensador

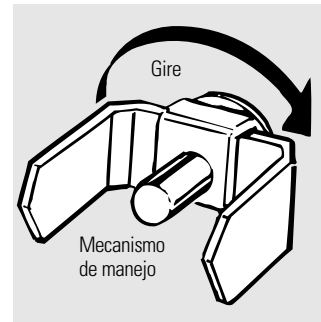
- No agregue hielo de charolas o de bolsas en el recipiente. Podría provocar que no salga bien o que no se triture adecuadamente.
- Evite los vasos demasiado llenos de hielo y el uso de vasos estrechos o demasiado altos. El hielo amontonado podría obstruir el orificio o hacer que se congele la puerta del orificio de manera que no se pueda abrir. Si hubiera hielo bloqueándolo, desprenda con una cuchara de madera.
- Las bebidas y los alimentos no se deberán enfriar rápidamente en el recipiente del hielo. Las latas, botellas o paquetes de comida en el recipiente de hielos podrían causar la obstrucción del dispositivo para hacer hielo o del recipiente.
- Para evitar que el hielo dispensado caiga fuera del vaso, ponga el vaso cerca, pero sin tocar, la apertura del dispensador.
- Un poco de hielo triturado puede surtir aunque había seleccionado **CUBED ICE** (cubos de hielo). Esto sucede en ocasiones cuando algunos cubos se canalizan en el triturador.
- Después de usar hielo triturado, un poco de agua puede gotear del vertedero.
- A veces, se formará un pequeño montón de nieve en la salida del hielo situada en la puerta. Esto es normal y, por regla general, sucede cuando ha dispensado hielo picado repetidamente. La nieve se evaporará por sí misma.



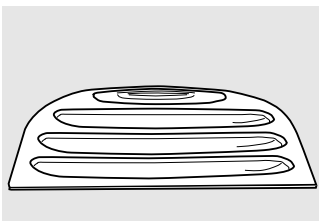
Gaveta de almacenamiento de hielo en modelos con dispensador

Para sacar: Ponga el interruptor de marcha del dispositivo de hielo en la posición **OFF**. Jale de la gaveta directamente hacia fuera y luego levántela hasta pasar el punto donde se atranca.

Para devolver: Al devolver la gaveta, asegúrese de presionarla firmemente en su sitio. Si no llega hasta el final, vuelva a sacarla y gire el mecanismo de manejo 1/4 de vuelta. Luego empuje de nuevo el entrepaño.



Cuidado y limpieza del refrigerador.



Área de goteo del dispensador

Limpiar el exterior

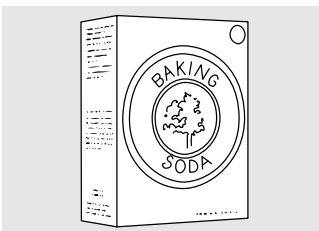
El pozo del dispensador (en algunos modelos), por debajo de la parrilla, se debe mantener limpio y seco. El agua que se queda en el pozo puede dejar depósitos. Quite los depósitos agregando vinagre sin diluir al pozo. Remoje hasta que desaparezcan los depósitos o hasta que se desprendan lo suficiente para quitarlos.

El brazo del dispensador (en algunos modelos). Antes de limpiar, oprima y detenga la tecla **LOCK CONTROL** (control de bloqueo) durante 3 segundos. Se limpia con una solución de agua tibia y bicarbonato de sodio—aproximadamente una cucharada (15 ml) de bicarbonato de sodio por cada cuarto (1 litro) de agua. Enjuague completamente con agua y seque.

Las manijas de la puerta y los ornamentos. Se limpian con un paño humedecido con una solución de detergente suave y agua. Seque con un paño suave.

Mantenga limpio el terminado. Limpie con un paño limpio ligeramente humedecido con cera para aparatos de cocina o un detergente suave y agua. Seque y pula con un paño limpio y suave.

No limpie el refrigerador con un paño sucio para trastes ni con un paño húmedo. Estos podrían dejar residuos que afecten a la pintura. No use estropajos, limpiadores en polvo, blanqueadores ni limpiadores que contengan blanqueador, ya que estos productos podrían rayar y desprender el terminado de pintura.



Limpiar el interior

Para evitar olores, deje una caja abierta de bicarbonato de sodio en los compartimientos de alimentos frescos y del congelador.

Desconecte el refrigerador antes de limpiarlo. Si no fuera posible, exprima el exceso de humedad de la esponja o del paño cuando se limpie alrededor de botones, bombillas o controles.

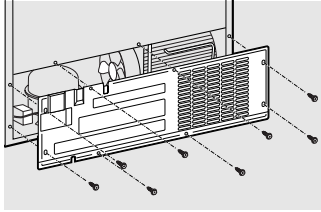
Use agua caliente y una solución de bicarbonato de sodio—aproximadamente una cucharada (15 ml) de bicarbonato de sodio por cada cuarto (1 litro) de agua. Esta solución limpia y neutraliza olores. Enjuague y seque.

Después de limpiar las juntas de las puertas, aplique una capa delgada de vaselina del lado de la bisagra. Esto ayuda a evitar que las juntas se doblen o se peguen.

Evite limpiar los entrepaños de vidrio (en algunos modelos) fríos con agua caliente, ya que la extrema diferencia de temperatura puede hacer que se quiebren. Maneje los entrepaños de vidrio con cuidado. Chocar vidrio templado puede hacer que se rompa en pedazos.

No lave partes plásticas del refrigerador en el lavaplatos.

Cuidado y limpieza del refrigerador.



Condensador

En ambientes de uso caseros normales la limpieza rutinaria del condensador no es necesaria. Sin embargo, en ambientes que puedan ser particularmente grasientos o con mucho polvo, el condensador debería limpiarse de forma periódica para el buen funcionamiento del refrigerador.

Limpieza del condensador:

El condensador está situado dentro de la parte posterior del refrigerador. Para acceder al mismo, quite la cubierta. El condensador está al lado derecho. Para obtener mejores resultados, use un cepillo especialmente diseñado para limpiar condensadores que podrá encontrar en la mayoría de las tiendas de recambios de electrodomésticos.

Atrás del refrigerador

Se deberá tener cuidado al retirar el refrigerador de la pared. Todos los tipos de recubrimiento de pisos se pueden dañar, sobre todo los recubrimientos acojinados y los que tienen superficies repujadas.

Jale el refrigerador en forma recta y empuje nuevamente para devolverlo a su posición. Mover el refrigerador en dirección lateral puede causar daños al recubrimiento del piso o al refrigerador.

Al empujar el refrigerador a su lugar, asegúrese de no pasar sobre el cable eléctrico ni sobre la línea de alimentación del dispositivo para hacer hielos (en algunos modelos).

Preparación para vacaciones

En el caso de vacaciones o ausencias prolongadas, quite los alimentos y desenchufe el refrigerador. Mueva los controles a la posición **0** (apagado) y limpie el interior con solución de bicarbonato de una cucharada (15 ml) de bicarbonato por un cuarto (1 litro) de agua. Deje abiertas las puertas.

Coloque el interruptor de alimentación eléctrica del dispositivo automático para hacer hielo en la posición **OFF** (Apagado) y cierre el suministro de agua al refrigerador.

Si la temperatura pueda llegar al punto de congelación, haya una persona calificada para desaguar el sistema del suministro de agua (en algunos modelos) para evitar daños a la propiedad causados por inundación.

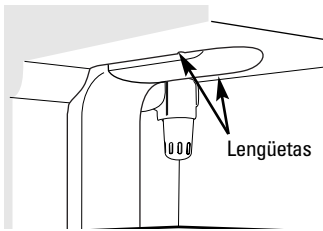
En caso de mudanza

Asegure todos los elementos sueltos como entrepaños y recipientes pegándolos con cinta adhesiva en su lugar para evitar daños.

Al usar una carretilla para mover el refrigerador, no haga descansar la parte frontal o trasera del refrigerador contra la carretilla. Esto podría dañar el refrigerador. Manéjelo sólo desde los laterales del refrigerador.

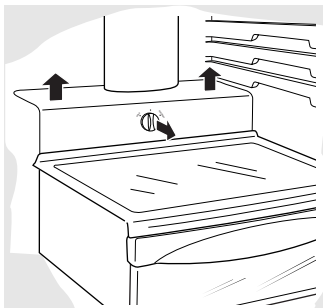
Asegúrese de que el refrigerador se coloque en posición vertical durante la mudanza.

El colocar el control en posición 0 no quita la corriente del circuito de la luz.



Compartimento del refrigerador—Luz superior.

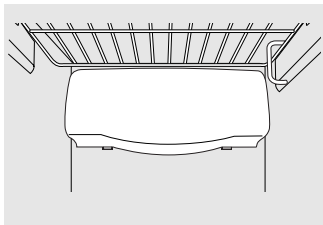
- 1 Desenchufe el refrigerador.
- 2 Las bombillas están situadas en la parte superior del compartimento, dentro de la cubierta de la luz. En algunos modelos, es necesario retirar un tornillo de la parte frontal de la cubierta de la luz.
- 3 Para quitar la cubierta de la luz, presione las lengüetas de los lados de la cubierta y deslícelo hacia delante y hacia atrás.
- 4 Tras reemplazar la bombilla con una bombilla de electrodoméstico del mismo voltaje o inferior, vuelva a colocar la cubierta de la luz y los tornillos (en algunos modelos). Al reemplazar la cubierta de la luz, asegúrese de que las lengüetas de la parte trasera de la cubierta quepan en las ranuras de la parte trasera del emplazamiento de la cubierta de la luz.
- 5 Vuelva a enchufar el refrigerador a la corriente.



Compartimento del refrigerador—Luz inferior.

Esta luz está situada por encima de la gaveta superior.

- 1 Desenchufe el refrigerador.
- 2 Retire el mango de control de la gaveta convertible de carne jalando directamente hacia fuera.
- 3 Levante la cubierta de la luz y jale de ella.
- 4 Después de reemplazar la bombilla con una bombilla de electrodomésticos del mismo voltaje o inferior, reemplace la cubierta y el mango.
- 5 Vuelva a enchufar el refrigerador a la corriente.



Compartimento del congelador

- 1 Desenchufe el refrigerador.
- 2 Retire el entrepaño justo por encima de la cubierta de luz. (El entrepaño será más fácil de quitar si se vacía primero.) En algunos modelos, tendrá que retirarse un tornillo de la parte superior de la cubierta de la luz.
- 3 Para quitar la cubierta, presione en los lados y levántela hacia arriba y afuera.
- 4 Reemplace la bombilla con una bombilla de electrodomésticos del mismo voltaje o inferior, y reinstale la cubierta de la luz. Al reinstalar la cubierta de la luz, asegúrese de que las lengüetas superiores hacen clic en su lugar de forma segura. Vuelva a colocar el tornillo (en algunos modelos).
- 5 Vuelva a instalar el entrepaño y enchufe el refrigerador de nuevo.

Dispensador

- 1 Desenchufe el refrigerador.
- 2 La bombilla está situada en el dispensador bajo el panel de control. Quite la bombilla girándola en sentido contrario a las agujas del reloj.
- 3 Cambie la bombilla por una bombilla del mismo tamaño y voltaje.
- 4 Vuelva a enchufar el refrigerador a la corriente.

Preparación para instalar el refrigerador.

Seguridad

Lea las instrucciones completamente y debidamente.



Suministro de agua al dispositivo para hacer hielo *(en algunos modelos)*

Si su refrigerador tiene un dispositivo para hacer hielo, éste tendrá que ser conectado a una línea de agua fría.

Por un costo adicional, es posible adquirir de su distribuidor o llamando a partes y accesorios al 800-626-2002, un paquete para el suministro de agua (contiene los tubos de cobre, la válvula de cierre, los dispositivos de ajuste y las instrucciones).

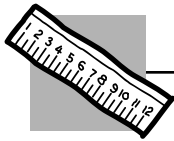
Operación



Ubicación del refrigerador

No instale el refrigerador donde las temperaturas van debajo los 60 °F (16 °C), ya que no podrá funcionar bastante para mantener las temperaturas adecuadas.

Instale sobre un piso suficientemente firme para soportar un refrigerador completamente lleno.



Espacios libres

Deje suficiente espacio para facilitar la instalación, la circulación adecuada de aire y las conexiones de plomería y eléctricas.

Si el refrigerador tiene pared por cualquiera de sus lados, deje los siguientes espacios para las puertas:

	21' y 23'	25', 27', y 29'
Lados:	4 mm	4 mm
Parte superior:	25 mm	25 mm
Parte posterior:	13 mm	25 mm

21', 23', 25', y 27' modelos con puertas planas:	67 mm
25' y 27' modelos con puertas curvadas:	94 mm
29' modelos con puertas planas:	110 mm
29' modelos con puertas curvadas:	70 mm

Instalación

Rodillos

Los rodillos tienen 3 propósitos:

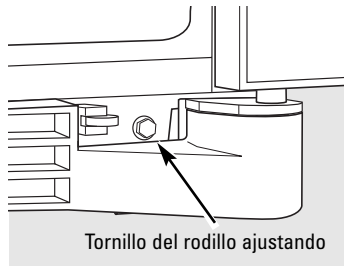
- 1 Los rodillos se ajustan para hacer que la puerta se cierre con facilidad cuando está abierta aproximadamente en la mitad. [Elevando el frente a una distancia aproximada 5/8" (15 mm) del piso.]
- 2 Los rodillos se ajustan para que el refrigerador sea firmemente posicionado en el piso y para no tambalearse.
- 3 Los rodillos permiten mover el refrigerador para retirarlo de la pared para su limpieza.

Después de instalar el refrigerador es necesario realizar algunos últimos ajustes para nivelarlo.

Para ajustar los rodillos en modelos de 25, 27, y 29 pies:

Gire el rodillo ajustando los tornillos **en el sentido de las agujas del reloj para elevar** el refrigerador y **en el sentido contrario para bajarlo**.

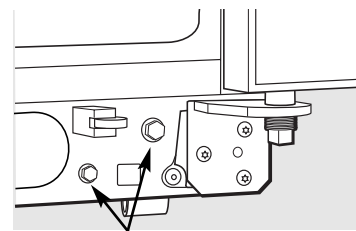
Use una llave hexagonal de 3/8", o una llave de tuerca ajustable.



Para ajustar los rodillos en modelos de 21, 23 pies:

Para quitar la parrilla de la base, abra las puertas, saque los tornillos de cada lado y jale de la misma.

Gire el rodillo frontal ajustando los tornillos **en el sentido de las agujas del reloj para elevar** el refrigerador y **en el sentido contrario para bajarlo**. Use una llave hexagonal de 3/8", o una llave de tuerca ajustable.



Estos modelos tienen también rodillos traseros ajustables para que pueda alinear el refrigerador con sus muebles de cocina. Use una llave hexagonal de 5/16" de mango largo para girar los tornillos de los rodillos traseros **en sentido de las agujas del reloj para elevar** el refrigerador y **en el sentido contrario para bajarlo**.

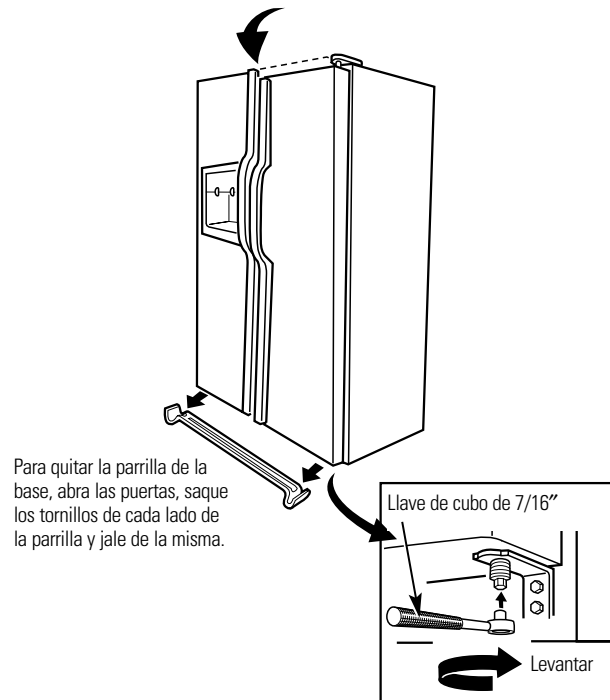
Solucionar problemas

Servicio al consumidor

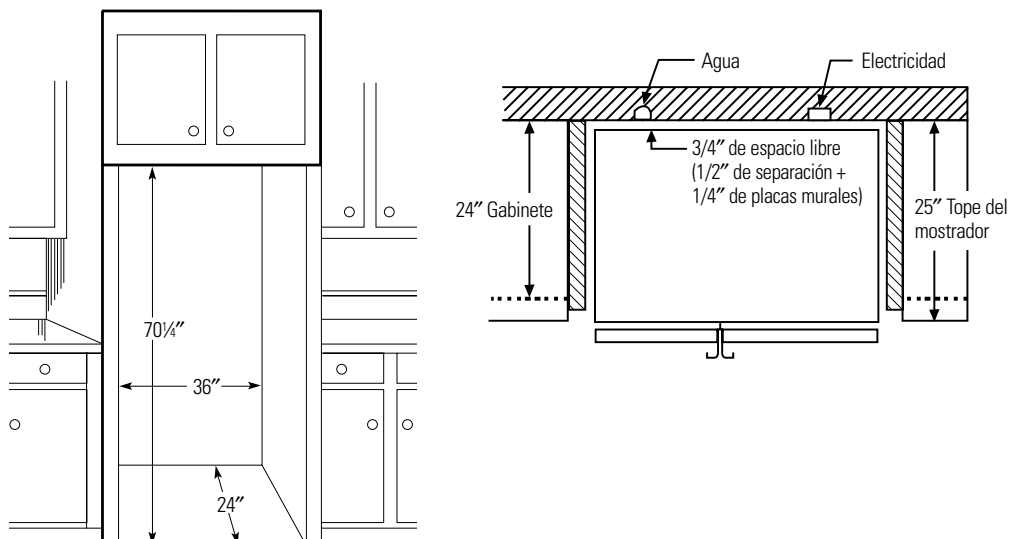
Alineación de las puertas

Después de nivelar, asegúrese de que las puertas estén al mismo nivel en la parte superior.

Para emparejar las puertas, ajuste la puerta de los alimentos frescos. Usando una llave de cubo de 7/16", gire el tornillo de ajuste de la puerta hacia la derecha para elevar la puerta; gírelo hacia la izquierda para hacerla descender. (Un tapón de nylon está encajado en la rosca del pin para impedir que el pin gire a menos de que se use una llave.) Después de una o dos vueltas con la llave, abra y cierre la puerta de los alimentos frescos y luego controle la alineación superior de las puertas.



Dimensiones y especificaciones (para modelos de "CustomStyle")



Molduras y paneles decorativos.

Para los modelos "CustomStyle"

Lea las instrucciones completamente y debidamente.



Antes de que empiece

Algunos modelos están equipados con molduras que le permiten instalar paneles en las puertas. Puede usted ordenar los paneles decorativos precortados en negro, blanco, almendra, bisqué o de acero inoxidable en GE Parts and Accessories (partes y accesorios), 800-626-2002 o puede añadir paneles de madera para que hagan juego con los gabinetes de su cocina.

Paneles de menos de 1/4" (6 mm) de espesor

Cuando instale paneles de madera de menos de 1/4" (6 mm) de espesor, necesita crear un panel de relleno, tal como un cartón de 1/8" (3mm) de espesor, que se ajuste entre el frente de la puerta y el panel de madera para obtener un ajuste apropiado. Si usted está instalando los paneles decorativos precortados, los paneles precortados de relleno se incluyen en el juego. El espesor combinado del panel decorativo o de madera y del panel de relleno debe ser de 1/4" (6 mm).

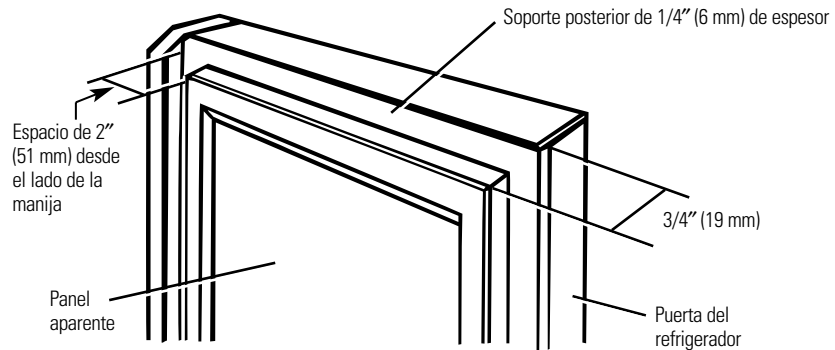
Panel de 3/4" (19 mm) o panel levantado

Puede utilizarse un diseño de panel levantado, atornillado o pegado a un soporte posterior de 1/4" (6 mm) de espesor, o una tabla guía de 3/4" (19 mm). La porción levantada del panel debe fabricarse de manera que permita un espacio de por lo menos 2" (51 mm) desde el lado de la manija para permitir que entren las puntas de los dedos.

Limitaciones de peso para los paneles sobre medida:

Alimentos frescos 35 libras (16 kg) máximo

Puerta del congelador 25 libras (11 kg) máximo



Seguridad

Operación

Instalación

Solucionar problemas

Servicio al consumidor

Molduras.

Cuidado de los paneles precortados

Seguridad

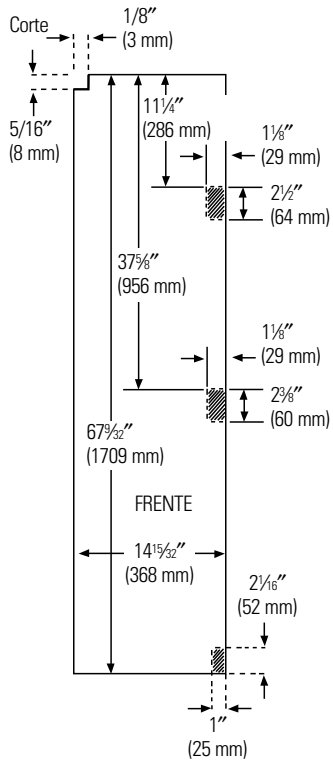
Operación

Instalación

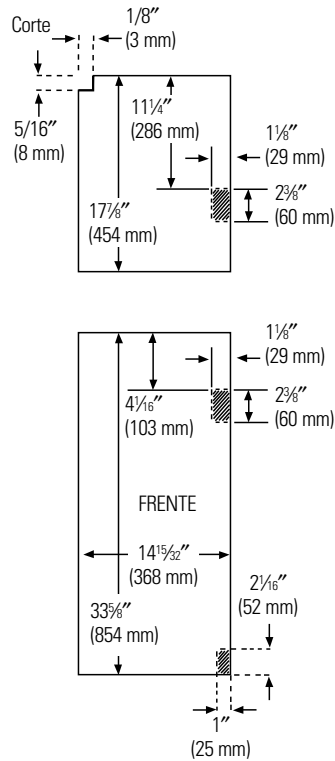
Solucionar problemas

Servicio al consumidor

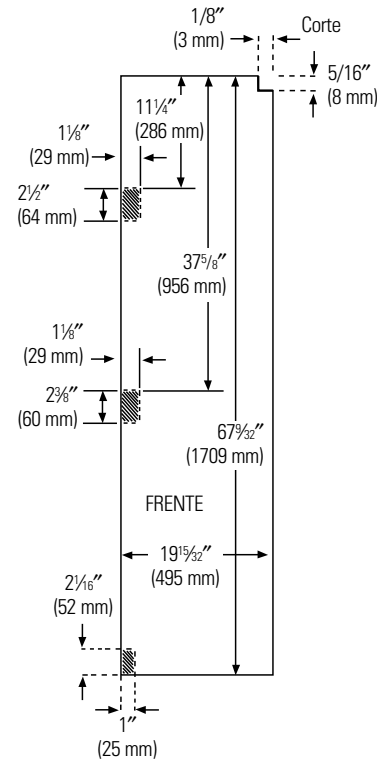
Panel del congelador sin dispensador



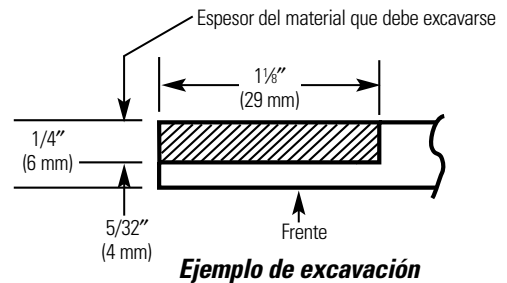
Paneles del congelador con dispensador



Panel de los alimentos frescos



Las áreas superiores de los paneles necesitan recortarse. Las áreas oscuras indican áreas que necesitan excavar de 5/32" (4 mm) en la parte posterior de los paneles de 1/4" (6 mm) de espesor o más. Para paneles de menos de 1/4" (6 mm) de espesor, estas áreas pueden recortarse en los paneles de relleno.



Cómo insertar los paneles de la puerta.

Seguridad

Operación

Instalación

Solucionar problemas

Servicio al consumidor

1 Afloje la moldura superior de las puertas del congelador y de los alimentos frescos.

Usando un destornillador Torx T-20, afloje los dos tornillos que sujetan la moldura superior aproximadamente 1/4" (6 mm).

2 Inserte el panel del congelador y panel de los alimentos frescos.

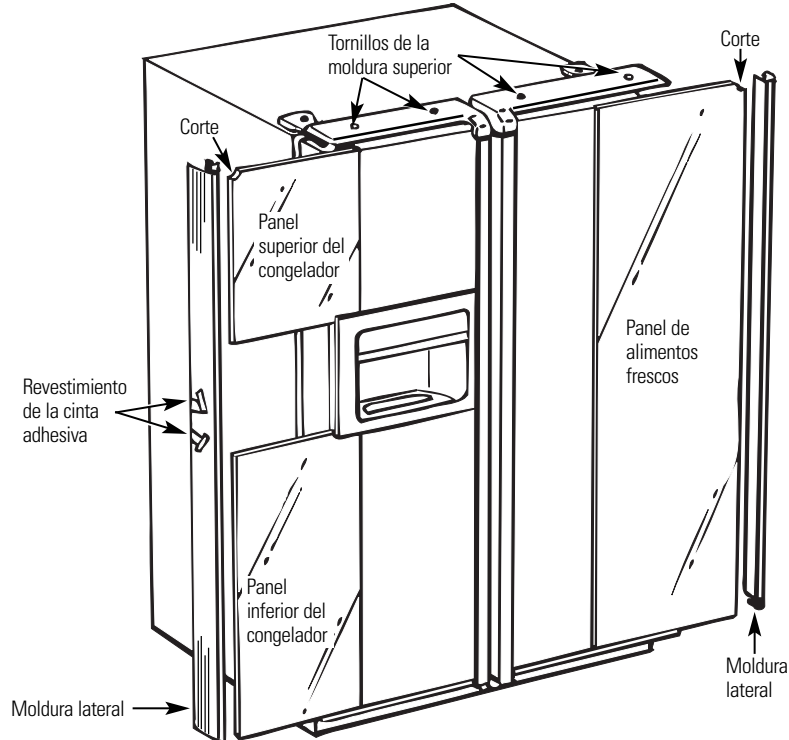
Levante la moldura superior 1/4" (6 mm) y con cuidado empuje el panel superior del congelador hasta que se deslice en la ranura detrás de la manija de la puerta. Presione el panel de relleno hacia dentro detrás del panel decorativo (esto se requiere en algunos de los paneles para puerta). Repita la operación para el panel de los alimentos frescos.

Si su modelo tiene un dispensador y/o un centro de refrescos, este paso es aplicable sólo para los paneles superiores.

3 Inserte el panel inferior (para modelos con un dispensador y/o un centro de refrescos).

Con cuidado presione el panel hasta que éste se deslice en la ranura detrás de la manija de la puerta. Presione el panel de relleno detrás del panel decorativo (esto se requiere en algunos de los paneles para puerta).

4 Apriete los dos tornillos de la moldura superior con la mano.



5 **Instalación de la moldura lateral.**

Estas piezas quedan dentro de la manija de la puerta de los alimentos frescos.

No retire la película protectora al exterior de la moldura lateral sino hasta que haya quedado instalada la moldura lateral.

Acomode la parte inferior de la moldura lateral debajo de la moldura de la parte inferior como se ilustra.

Sujete la moldura lateral contra la cara delantera de los paneles decorativos y sujete la moldura lateral debajo de la moldura superior. Asegúrese de que la moldura lateral tenga el relleno adecuado y que quede satisfecho con el aspecto de todas las partes antes de quitar la cinta adhesiva.

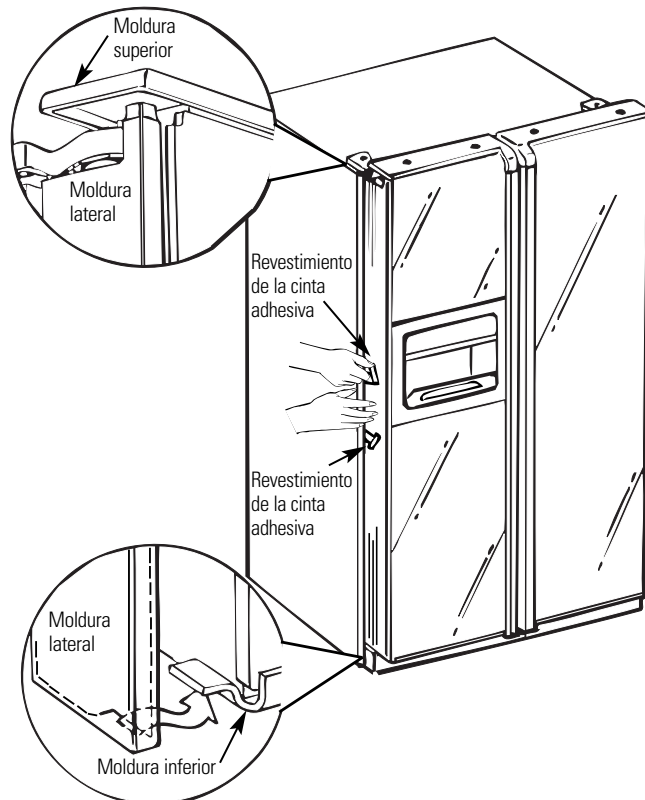
6 **Asegure la moldura lateral.**

Coloque una mano entre las dos piezas del revestimiento azul de la cinta adhesiva y sostenga la moldura lateral con firmeza contra los paneles y el costado de la puerta.

Siga jalando la cinta adhesiva para aflojarla, alternando la parte superior con la parte inferior y presionando la moldura lateral contra la puerta.

Jale hacia arriba el revestimiento aproximadamente 3" (80 mm), presionando la moldura con la mano a medida que la cinta adhesiva va quedando expuesta a la puerta. Luego jale hacia abajo la parte inferior del revestimiento de aproximadamente 3" (80 mm). Siga la cinta con la mano oprimiendo el adhesivo de la moldura contra la puerta.

7 **Retire la película protectora al exterior de la moldura lateral.**



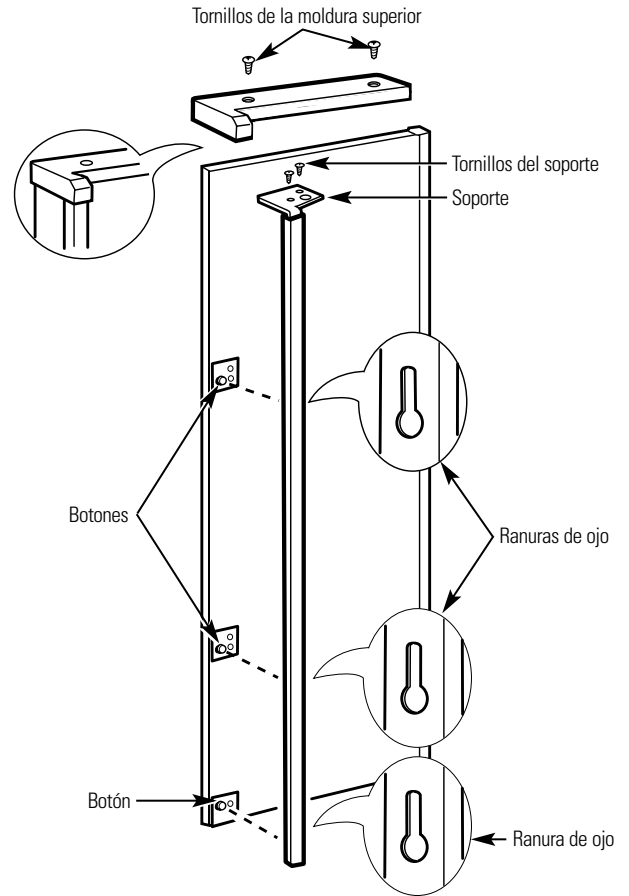
Instalación y remoción de los paneles decorativos previamente instalados.

Lea las instrucciones completamente y debidamente.

Remoción de las manijas

Para retirar los paneles decorativos y reemplazarlos por nuevos, es necesario quitar las manijas. Se necesita un desarmador T-20 Torx.

- 1 Afloje y quite los 2 tornillos de la moldura superior.
- 2 Afloje y quite los 2 tornillos del soporte que unen la manija con la parte superior de la puerta.
- 3 Sostenga firmemente la manija y deslícela hacia arriba. Las ranuras de ojo en la manija saldrán de los botones de la puerta.
- 4 Abra la puerta y retire los paneles decorativos.



Inserción de los paneles de la puerta

Antes de instalar los paneles decorativos, asegúrese de que se han excavado en las áreas apropiadas como se muestra al principio de esta sección. Antes de ajustar la manija y la moldura superior, pruebe los paneles para ver si se ajustan.

Instalación de las manijas

Una vez que los paneles se han colocado apropiadamente, instale la manija y la moldura superior.

- 1 Deslice las ranuras de ojo en la manija hacia abajo dentro de los botones montados en la parte frontal de la puerta. Deslice la manija hacia abajo hasta que el soporte de la parte superior de la manija se ajuste a la parte superior de la puerta.
- 2 Reemplace los dos tornillos del soporte que unen la manija con la parte superior de la puerta y apriete los tornillos con un par de torsión de 45 libras-pulgadas.
- 3 Reemplace la moldura superior asegurándose de que queda sobre la moldura lateral y que las señales de ubicación se ajustan dentro del perfil de la manija.
- 4 Reemplace los tornillos de la moldura superior y apriételos con un par de torsión de 30 libras-pulgadas.

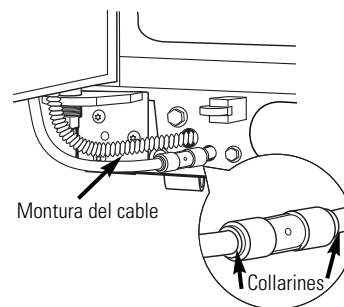
Cómo retirar y reemplazar las puertas.

Al instalar o mover el refrigerador, es posible que sea necesario retirar las puertas para que el refrigerador pueda pasar por la puerta.

Cómo retirar las puertas

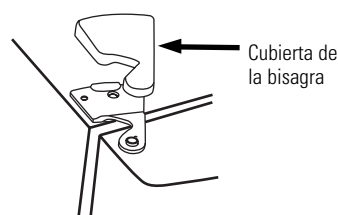
Asegúrese de que las puertas estén cerradas.

- 1 Desconecte la línea del agua y el mazo de cables.**
Cerca de la bisagra inferior en el lado del congelador, empuje en los collarines en cada extremo del acoplamiento, y tire de la tubería de la línea de agua a partir del acoplamiento. También, desconecte el cableado. Tire de la línea de agua y del cableado a través del riel inferior.



- 2 Retire las cubiertas de las bisagras y las bisagras.**
Para lograr acceso a las bisagras, las cubiertas de las bisagras necesitan ser removidas. Remueva la cubierta agarrándola por los lados, cerca de la parte posterior de la cubierta. Tire hacia atrás en sobre la cubierta y levántela hacia atrás, entonces hacia el frente.

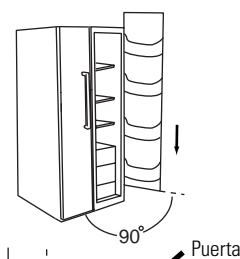
NOTA: NO use un destornillador para retirar la cubierta. TENGA CUIDADO de no romper la pestaña retenedora trasera en la cubierta de la bisagra. Retire las bisagras con una llave Torx T-20.



- 3 Retire las puertas.**
Con cuidado, rote la puerta a 90°. Guiando la línea del agua desconectada y el mazo de cables, levante la puerta directamente hacia arriba.

NOTA: No levantar la puerta directamente hacia arriba puede dañar la bisagra inferior. Coloque las puertas en una superficie protegida.

NOTA: Tenga cuidado de no perforar el tubo del agua y el mazo de cables en la parte inferior de la puerta.



Cómo reponer las puertas

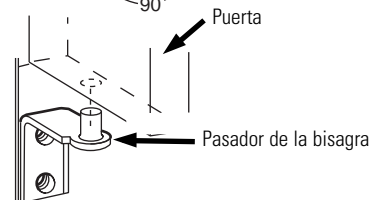
- 1 Coloque las puertas en las bisagras inferiores.**
Con la puerta en 90°, baje la puerta directamente hacia la bisagra inferior. Cierre la puerta cuidadosamente.

NOTA: No bajar la puerta directamente hacia abajo puede dañar la bisagra inferior.

- 2 Reemplace las cubiertas de las bisagras superiores**
Reinstale las bisagras superiores con una llave Torx T-20. Reemplace las cubiertas de las bisagras. Si las puertas no están niveladas, ajuste la bisagra inferior derecha con una llave abierta de 7/16".

- 3 Reconecte la línea del agua y el mazo de cables.**
Inserte el tubo del agua de nuevo al acoplamiento, asegúrese de que el tubo se empuje lo más lejos posible dentro del acoplamiento, de manera que ya no vea la marca del tubo. Vuelva a conectar el mazo de cables.

- 4 Encienda el suministro de agua.**



Seguridad

Operación

Instalación

Solucionar problemas

Servicio al consumidor

Instalación de la línea de agua.

Seguridad

Lea las instrucciones completamente y debidamente.

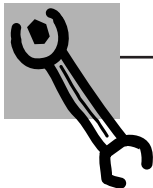


Antes de que empiece

- La única forma autorizada de conectar el Sistema de Filtración de Agua de Ósmosis Inversa GE a su refrigerador es mediante el juego de instalación GE RVKIT.
- Si la alimentación de agua a su refrigerador proviene de un sistema de filtración de agua de ósmosis inversa y el refrigerador también cuenta con un filtro de agua, use el tapón de derivación del filtro del refrigerador. El uso conjunto del cartucho de filtración de agua del refrigerador con el filtro de RO (ósmosis inversa) pudiera resultar en la producción de cubos de hielo huecos y en un caudal de agua más lento del dispensador de agua.
- Esta instalación de la línea de agua no está garantizada ni por el fabricante del refrigerador ni por el del dispositivo para hacer hielo. Siga estas instrucciones detenidamente para minimizar el riesgo de producir daños causados por acción del agua, los cuáles podrían resultar muy costosos.
- El agua que estalla en la tubería de la casa con un ruido de martillo, puede causar daños en partes del refrigerador y también fugas o inundación. Llame a un plomero calificado para rectificar el ruido de martillo en la tubería antes de instalar la línea del suministro de agua al refrigerador.
- Para prevenir quemaduras y daños al producto, no instale la línea de agua a la tubería de agua caliente.
- Si utiliza el refrigerador antes de conectar la tubería del agua, asegúrese de que el interruptor de alimentación eléctrica del dispositivo automático para hacer hielo está en la posición **OFF** (Apagado).
- No instale el tubo del dispositivo para hacer hielo en sitios en donde la temperatura pudiera descender por debajo del punto de congelación.
- Cuando utilice un aparato eléctrico (como, por ejemplo, un taladro mecánico) durante la instalación, asegúrese de que dicho aparato esté eléctricamente aislado o conectado de tal manera que no exista peligro de que se produzcan descargas eléctricas.
- Todas las instalaciones deben apegarse a las normas vigentes en materia de obras de plomería.

Operación

Instalación



Lo que se necesita

Para determinar la cantidad de tubo de cobre que necesita:

Mida la distancia desde la válvula del agua detrás del refrigerador hasta el tubo de suministro de agua. Después añada 8 pies (244 cm). Asegúrese de que haya suficiente tubo adicional 8 pies (244 cm) doblado en forma de una gran espiral en 3 vueltas de 10" (24 cm) de diámetro para permitir distanciar el refrigerador de la pared después de la instalación.

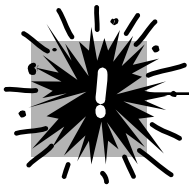
- **Un equipo de suministro de agua** (contiene los tubos de cobre, la válvula de cierre y los dispositivos de ajuste que aparecen en la lista abajo) se puede adquirir, por un costo adicional, de su distribuidor o por teléfono para Partes y accesorios al 800-626-2002.
- **Abastecimiento de agua fría.** La presión del agua debe oscilar entre 20 y 120 p.s.i. [libras por pulgada cuadrada (1.4–8.2 bar)] en modelos sin el filtro de agua y entre 40 y 120 p.s.i. (2.8–8.2 bar) en modelos con el filtro de agua.
- **Taladro eléctrico.**
- Para la conexión entre el refrigerador y el abastecimiento de agua es necesario un **tubo de cobre** de un diámetro exterior de 1/4". Asegúrese de que ambos extremos del tubo estén cortados a precisión.

No utilice tubos ni empalmes de plástico ya que la tubería de abastecimiento de agua se halla siempre bajo presión. Además, ciertos tipos de tubos de plástico podrían debilitarse con el tiempo y agrietarse, ocasionando fugas de agua.

- **Dos tuercas de compresión con diámetro exterior de 1/4" y dos férulas (mangas)**—para conectar el tubo de cobre a la llave de paso y la válvula del agua del refrigerador.
- Si la tubería del agua existente tiene en el extremo un empalme apestañado, para conectar la tubería del agua al refrigerador se necesitará de un **adaptador** (que se compra en las tiendas de artículos de plomería) **O**, puede cortar el empalme apestañado con un **cortatubos** y entonces usar un empalme de compresión.
- **Llave de paso** para conectarse a la tubería del agua fría. La entrada de agua de dicha llave habrá de tener un diámetro interior mínimo de 5/32" en el punto de conexión a la **TUBERÍA DE AGUA FRÍA**. En muchos de los juegos de accesorios para el abastecimiento de agua se incluyen llaves de paso tipo campana. Antes de comprarla, asegúrese de que la llave de paso de tipo campana se ajuste a las normas vigentes en materia de plomería.

Solucionar problemas

Servicio al consumidor



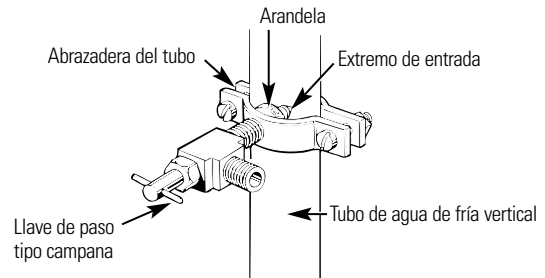
Corte el paso de agua del abastecimiento principal

Abra la llave más cercano durante el tiempo suficiente para despejar la tubería del agua.

Instale la llave de paso

- 1 Instale la llave de paso en la tubería de agua potable de uso frecuente más cercana.
- 2 Coloque la llave en un lugar que tenga fácil acceso. Lo mejor es colocarla en el lateral de un tubo vertical. Si fuera necesario colocarla en un tubo horizontal, haga la conexión en la parte superior o lateral, en vez de en la inferior, para evitar la extracción de sedimentos presentes en el tubo.
- 3 Haga un agujero de 1/4" en el tubo con un taladro, usando una broca bien afilada. Elimine las asperezas que pudieran haberse producido al hacer el agujero con el taladro.
- 4 Una la llave de paso al tubo de agua fría con la abrazadera de tubo.
- 5 Apriete los tornillos de la abrazadera hasta que la arandela obturadora empiece a dilatarse.

No apriete demasiado pues podría quebrar el tubo de cobre.



NOTA: Observe los códigos de fontanería 248CMR del estado de Massachusetts. En el Massachusetts, las llaves de paso tipo campana son ilegales, y prohibido su uso. Consulte un plomero autorizado.

Haga pasar el tubo de cobre y conéctelo a la llave de paso

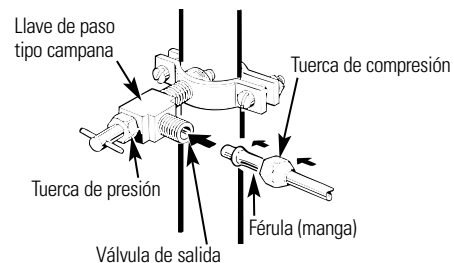
Haga pasar el tubo de cobre entre la tubería de agua fría y el refrigerador.

Haga pasar el tubo por un agujero hecho en el suelo (detrás del refrigerador o en la base del armario adyacente) lo más próximo posible a la pared.

Asegúrese de que haya suficiente tubo adicional 8 pies (244 cm) doblado en forma de una gran espiral en 3 vueltas de 10" (25 cm) de diámetro para permitir distanciar el refrigerador de la pared después de la instalación.

Coloque la tuerca de compresión y la férula (manga) en el extremo del tubo y conéctelo a la llave de paso.

Asegúrese de que el tubo esté totalmente metido en la llave. Apriete bien la tuerca de compresión.



NOTA: Observe los códigos de fontanería 248CMR del estado de Massachusetts. En el Massachusetts, las llaves de paso tipo campana son ilegales, y prohibido su uso. Consulte un plomero autorizado.

Abra el abastecimiento de agua y deje correr el agua por la tubería

- 1 Abra el abastecimiento principal del agua y deje que ésta corra por el interior del tubo hasta que salga completamente transparente.
- 2 Cierre el agua después de que haya pasado por el tubo un litro, aproximadamente.

Instalación de la línea de agua.

Seguridad

Lea las instrucciones completamente y debidamente.

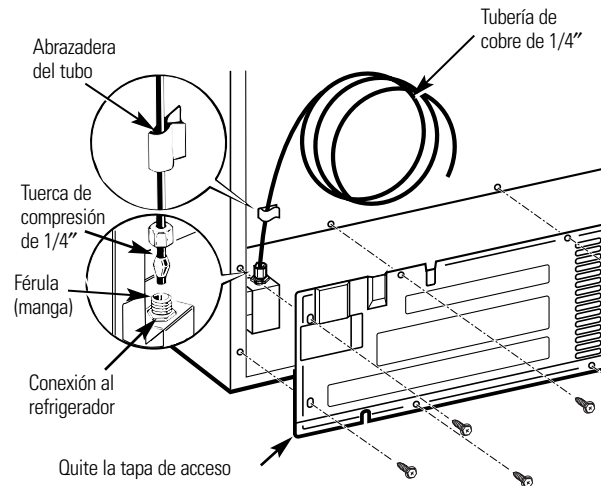
Conecte el tubo de cobre al refrigerador

Antes de efectuar la conexión al refrigerador, asegúrese de que el cable eléctrico del refrigerador no esté enchufado a la toma de corriente de la pared.

Si su abastecimiento de agua contiene arena o partículas que pudieran obstruir la criba de la válvula del agua del refrigerador, recomendamos que instale un filtro para agua. Instálelo en el tubo de agua cerca al refrigerador.

- 1 Quite la tapa de acceso.
- 2 Retire el tapón de plástico de la válvula de agua (conexión al refrigerador).
- 3 Coloque la tuerca de compresión y la férula (manga) al extremo del tubo, tal como se indica en la ilustración.
- 4 Introduzca el extremo del tubo de cobre en la entrada de la válvula del agua del refrigerador (lo más posible). Al mismo tiempo que sujeta el tubo, apriete el dispositivo de ajuste.
- 5 Sujete el tubo de cobre con la abrazadera que se proporciona, de modo que quede en posición. Es posible que tenga que abrir la abrazadera a palanca.
- 6 Vuelva a colocar la tapa de acceso.

La ilustración abajo se mira como la conexión en su refrigerador.



Operación

Instalación

Abra el agua en la llave de paso

- 1 Apriete todas las conexiones que tengan fugas de agua.
- 2 Reponga la tapa y los tornillos (en algunos modelos).

Enchufe el cable eléctrico del refrigerador

Coloque el tubo de cobre en espiral para evitar la vibración contra la parte trasera del refrigerador o contra la pared.

Desplace el refrigerador nuevamente contra la pared.

Arranque el dispositivo para hacer hielo

Fije el interruptor de alimentación eléctrica del dispositivo automático para hacer hielo en la posición **ON** (Encendido). El dispositivo automático para hacer hielo no arrancará mientras no alcance su temperatura de funcionamiento de 15°F (-9°C) o menos. Si el interruptor de alimentación eléctrica del dispositivo automático para hacer hielo está en la posición **ON** (Encendido), entonces arrancará automáticamente.

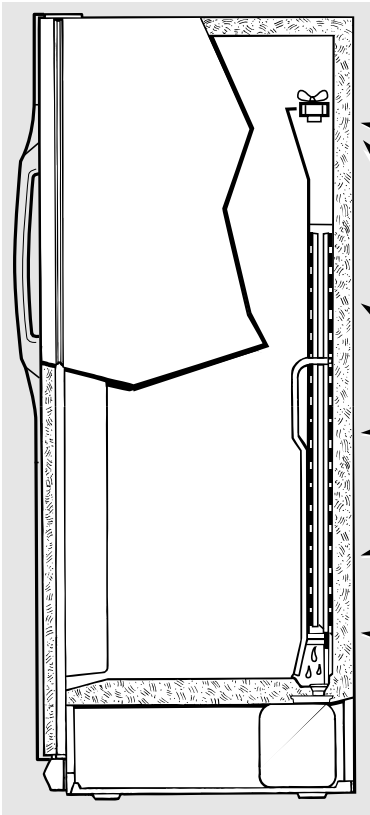
NOTA: En condiciones de presión de agua muy baja, la válvula de agua podrá arrancar hasta 3 veces para cerciorarse que llega agua suficiente al dispositivo automático para hacer hielo.

Solucionar problemas

Servicio al consumidor



Estos sonidos son normales y son causados por una operación muy eficaz.



El nuevo compresor de alta eficiencia funciona más rápido y tendrá un zumbido o ruido pulsante más alto durante la operación.

Los ventiladores hacen circular el aire dentro del congelador y el refrigerador lo cual mantiene una temperatura uniforme.

Los ventiladores están funcionando a alta velocidad. Esto sucede cuando el refrigerador se conecta por primera vez, cuando las puertas se abren con frecuencia o cuando se añade una gran cantidad de comida al compartimento del refrigerador o congelador.

El goteo de agua que cae en el calentador para descongelar causa un ruido silbante durante el ciclo de descongelamiento.

El flujo de refrigerante a través de la espiral de refrigeración del congelador causa sonidos similares al agua hirviendo o un ruido de burbujeo.

Las espirales de refrigeración crujen o truenan a causa de la expansión o la contracción durante el descongelamiento y la refrigeración después del descongelamiento.

El goteo de agua se derrite del vaporizador y fluye a la bandeja de desagüe en el ciclo de descongelamiento.

Dispositivo para hacer hielo (en algunos modelos)

La válvula de agua del dispositivo automático para hacer hielo zumbará a medida que el dispositivo automático para hacer hielo se está llenando de agua. Si el interruptor de alimentación eléctrica está en la posición **ON** (Encendido), zumbará aún cuando no esté conectado al agua. El dispositivo automático para hacer hielo puede dañarse si se mantiene el interruptor de alimentación en la posición **ON** sin haber conectado el agua. Para evitar lo anterior, coloque el interruptor de alimentación eléctrica en la posición **OFF** (Apagado). Esto detendrá el zumbido.

El sonido de los cubos de hielo cayendo al recipiente y el flujo del agua en las tuberías para llenar el dispositivo.

Antes de solicitar un servicio...



Solucionar problemas
¡Ahorre tiempo y dinero! Revise las tablas en las siguientes páginas y tal vez no necesitará de solicitar un servicio.

Seguridad

Operación

Instalación

Solucionar problemas

Servicio al consumidor

Problema	Causas Posibles	Qué hacer
El refrigerador no funciona	Refrigerador en ciclo de descongelar.	• Espere 30 minutos para que la descongelación se termine.
	Controles de temperatura en posición 0.	• Mueva los controles de temperatura hasta un ajuste de temperatura.
	El refrigerador esté desconectado.	• Empuje la clavija completamente en el enchufe.
	Fusible fundido/ interruptor de circuito roto.	• Reemplace el fusible o reajuste el interruptor.
Vibraciones o sacudidas (una vibración ligera es normal)	Los rodillos requieren un ajuste.	• Vea <i>Rodillos</i> .
El motor opera durante periodos prolongados o se arranca y se para con frecuencia. (Refrigeradores modernos con más espacio de almacenamiento y un congelador más grande requieren más tiempo de operación. Se arrancan y se paran a para mantener temperaturas uniformes.)	Es normal cuando el refrigerador es recién instalado en su casa.	• Espere 24 horas para que el refrigerador se enfríe completamente.
	Ocurre cuando hay largas cantidades de alimentos en el refrigerador.	• Eso es normal.
	Se dejó abierta la puerta.	• Revise si un paquete mantiene la puerta abierta.
	Clima caluroso o aperturas frecuentes de la puerta.	• Eso es normal.
	Controles de temperatura ajustados al punto más frío.	• Vea <i>Los controles</i> .
Compartimiento de alimentos frescos o congelador demasiado cálido	El control de temperatura no se fijó bastante frío.	• Vea <i>Los controles</i> .
	Clima caluroso o aperturas frecuentes de la puerta.	• Fije el control de temperatura un paso más frío. Vea <i>Los controles</i> .
	Se dejó abierta la puerta.	• Revise si hay un paquete que mantiene la puerta abierta.
Escarcha o cristales de hielo en alimentos congelados (escarcha en paquete es normal)	Se dejó abierta la puerta.	• Revise si hay un paquete que mantiene la puerta abierta.
	La puerta se abre con frecuencia o por mucho tiempo.	
El divisor entre el compartimiento de alimentos frescos y el congelador se siente tibio	Ahorro automático de energía circula líquido tibio en la frente del congelador.	• Eso ayuda prevenir la condensación en el exterior.
Los cubos tienen mal olor/sabor	El recipiente para los cubos necesita limpieza.	• Vacíe y limpie el recipiente. Deseche los cubos.
	Alimentos transmitiendo olor/sabor a los cubos.	• Envuelva bien los alimentos.
	El interior del refrigerador requiere limpieza.	• Vea <i>Cuidado y limpieza</i> .

Problema	Causas Posibles	Qué hacer
Dispositivo automático para hacer hielo no funciona (en algunos modelos)	El interruptor de alimentación eléctrica del dispositivo automático para hacer hielo está en la posición OFF (Apagado).	• Coloque el interruptor de alimentación eléctrica en la posición ON (Encendido).
	El agua está cerrada o no está conectada.	• Vea <i>Instalar la línea de agua</i> .
	El compartimiento del congelador es muy cálido.	• Espere 24 horas para que se enfríe el refrigerador.
	Cubos apilados en el recipiente apaga el dispositivo para hacer hielo.	• Nivele los cubos con la mano.
	Cubos de hielo atorados en dispositivo para hacer hielo. (La luz verde de corriente en dispositivo de hielo está destellando).	• Apague el dispositivo de hielo, retire los cubos y vuelva a poner el dispositivo en marcha.
Formación lenta del hielo	Se dejó abierta la puerta.	• Revise si hay un paquete que mantiene la puerta abierta.
	El control de temperatura no es bastante frío.	• Vea <i>Los controles</i> .
Cubos pequeños o huecos	Filtro de agua tapado.	• Reemplace el cartucho del filtro con uno nuevo o con el tapón.
El dispensador de hielo no funciona (en algunos modelos)	Dispositivo de hielo apagado o el agua está apagado.	• Enciende el dispositivo de hielo o el agua.
	Los cubos están pegados al brazo detector.	• Remueve los cubos y ponga el brazo en ON (ACTIVADA).
	Bloques irregulares de hielo en el recipiente.	• Rómpalos con los dedos y deseche los cubos restantes. • El congelador puede ser muy caliente. Ajuste el control a una posición más fría paso por paso hasta que no se formen bloques.
	El dispensador está BLOQUEADO (LOCKED) .	• Presione la tecla LOCK CONTROL (Control de bloqueo) y manténgala presionada durante tres segundos.
El agua tiene un sabor/olor malo (en algunos modelos)	El dispensador de agua no se uso por mucho tiempo.	• Dispense el agua hasta que todo el sistema del agua se llene de nuevo.
El agua en el primer vaso está tibia (en algunos modelos)	Eso es normal con un refrigerador recién instalado.	• Espere 24 horas para que se enfríe el refrigerador.
	El dispensador de agua no se uso por mucho tiempo.	• Dispense el agua hasta que todo el sistema del agua se llene de nuevo.
	El sistema de agua se ha desaguado.	• Espere algunas horas para que se enfríe el agua.
El dispensador de agua no funciona (en algunos modelos)	Suministro de agua apagado o no conectado.	• Vea <i>Instalar la línea de agua</i> .
	Filtro de agua tapado.	• Reemplace el cartucho del filtro o remueve el filtro y instale el tapón.
	Aire atrapado en el sistema del agua.	• Presione el brazo del dispensador por un par de minutos.
	El dispensador está BLOQUEADO (LOCKED) .	• Presione la tecla LOCK CONTROL (Control de bloqueo) y manténgala presionada durante tres segundos.

Antes de solicitar un servicio...

	Problema	Causas Posibles	Qué hacer
Seguridad	Se seleccionó CUBED ICE (HIELO EN CUBOS) pero se dispensó CRUSHED ICE (Hielo picado) (en algunos modelos)	La última selección fue CRUSHED ICE (HIELO PICADO) .	<ul style="list-style-type: none"> • Se quedaron unos cuantos cubos en el triturador de la selección anterior. Esto es normal.
	Operación	No sale agua pero el dispositivo (en algunos modelos) para hacer hielo funciona	El agua en el depósito está congelada.
El control de temperatura demasiado frío.			<ul style="list-style-type: none"> • Fije el control de temperatura hasta mas cálido.
Cubos de hielo atorados en dispositivo para hacer hielo. (La luz verde de corriente en dispositivo de hielo está destellando).			<ul style="list-style-type: none"> • Apague el dispositivo de hielo, retire los cubos y vuelva a poner el dispositivo en marcha.
Instalación	El agua chorrea del dispensador	Cartucho del filtro recién instalado.	<ul style="list-style-type: none"> • Deje correr el agua desde el dispensador por 3 minutos (aprox. 1½ galóns).
	No sale agua y el dispositivo para hacer hielo no funciona	Está tapada la línea de agua o la llave de paso.	<ul style="list-style-type: none"> • Llame a un plomero.
		Filtro de agua tapado.	<ul style="list-style-type: none"> • Reemplace el cartucho del filtro o remueve el filtro y instale el tapón.
El dispensador está BLOQUEADO (LOCKED)		<ul style="list-style-type: none"> • Presione la tecla LOCK CONTROL (Control de bloqueo) y manténgala presionada durante tres segundos. 	
Solucionar problemas	El refrigerador huele	Alimentos transmitiendo olores al refrigerador.	<ul style="list-style-type: none"> • Alimentos con olores fuertes deben estar tapados. • Guarde una caja de bicarbonato de sodio en el refrigerador; cámbiela cada tres meses.
		El interior requiere limpieza.	<ul style="list-style-type: none"> • Vea <i>Cuidado y limpieza</i>.
		Limpie el sistema de agua de descongelación.	<ul style="list-style-type: none"> • Vea <i>Cuidado y limpieza</i>.
Servicio al consumidor	La puerta no se cierre correctamente	La junta en el lado de la bisagra está pegada o doblada.	<ul style="list-style-type: none"> • Aplique vaselina en la parte frontal de la junta.
	Aire caliente a la base del refrigerador	El aire fluye para enfriar el motor. En el proceso de refrigeración es normal que salga calor de la base del refrigerador. Algunos recubrimientos de piso estan sensitivos y se descoloran a estas temperaturas normales y seguras.	<ul style="list-style-type: none"> • Eso es normal.
	Brillo anaranjado en el congelador	Calefactor de descongelación encendido.	<ul style="list-style-type: none"> • Eso es normal.

Problema	Causas Posibles	Qué hacer
Humedad en el exterior del refrigerador	Normal en períodos con alto grado de humedad.	<ul style="list-style-type: none"> • Seque la superficie.
Humedad en el interior (en clima húmedo el aire lleva la humedad al interior del refrigerador cuando se abren las puertas)	Se abre la puerta con frecuencia o por mucho tiempo.	
No funciona la luz interior	No hay corriente en el contacto.	<ul style="list-style-type: none"> • Reemplace el fusible o reajuste el interruptor.
	Bombilla fundida.	<ul style="list-style-type: none"> • Vea <i>Reemplazar las bombillas</i>.
Agua en el piso de la cocina o en el fondo del congelador	El desagüe en el fondo del congelador está tapado.	<ul style="list-style-type: none"> • Vea <i>Cuidado y limpieza</i>.
	Cubos atrapados en el orificio.	<ul style="list-style-type: none"> • Empuje los cubos en el vertedero con una cuchara de madera.

Seguridad

Operación

Instalación

Solucionar problemas

Servicio al consumidor

Notas.

<i>Servicio al consumidor</i>	<i>Solucionar problemas</i>	<i>Instalación</i>	<i>Operación</i>	<i>Seguridad</i>
--------------------------------------	------------------------------------	---------------------------	-------------------------	-------------------------

Garantía del Refrigerador. (Para consumidores en los EE.UU.)



Todos los servicios los proporcionarán nuestros centros de fábrica o nuestros prestadores Customer Care® autorizados. Para concertar una cita de servicio, en línea, 24 horas al día, póngase en contacto con nosotros en www.GEAppliances.com, o llame al 1-800-GE-CARES.

Grape aquí su recibo. Se requiere facilitar prueba de la fecha de compra original para obtener un servicio bajo la garantía.

Durante:	GE reemplazará:
Un año A partir de la fecha de compra original	Cualquier parte del refrigerador que falle debido a un defecto en materiales o mano de obra. Durante este año de garantía completa , GE también proporcionará sin costo , mano de obra y servicio en su hogar para reemplazar las partes defectuosas.
Cinco años A partir de la fecha de compra original	Cualquier parte del sistema sellado de refrigeración , (compresor, condensador, evaporador y todas tuberías de conexión) que falle debido a un defecto en materiales o mano de obra. Durante este cuatro años adicionales de garantía limitada , GE también proporcionará sin costo , mano de obra y servicio en su hogar domicilio para reemplazar la pieza defectuosa dentro del sistema de refrigeración sellado.
Por vida A partir de la fecha de compra original	Cualquier recipiente o gaveta transparente proporcionada con el refrigerador si se rompiera durante el uso normal. Las tapaderas de las gavetas no son incluidas. Durante el plazo de esta garantía limitada de por vida , usted será responsable de cualquier costo de mano de obra o servicio a domicilio.

Lo que GE no cubrirá

- Viajes de servicio a su hogar para enseñarle cómo usar el producto.
- Una instalación incorrecta.
- Fallas del producto si hay abuso, mal uso, o uso para otros propósitos que los propuestos, o uso para fines comerciales.
- Pérdida de alimentos por averías.
- Reemplazo de fusibles de su hogar o reajuste de interruptores de circuito.
- Reemplazo del cartucho del filtro para agua debido a presión de agua afuera de los límites de operación especificados o sedimento excesivo en el suministro de agua.
- Cambio del cartucho del filtro del agua cuando se ha sobrepasado su tiempo esperado de operatividad.
- Daño al producto causado por accidente, fuego, inundaciones, o actos de Dios.
- Daño incidental o consecuencial causado por posibles defectos con el aparato.

Esta garantía se extiende al comprador original y a cualquier propietario que lo suceda para el caso de productos comprados para uso doméstico normal en los Estados Unidos. En Alaska, usted tendrá que pagar el flete del producto o los costos de viaje del técnico de servicio hasta su hogar.

Algunos estados no permiten la exclusión o limitación de daños incidentales o consecuenciales. Esta garantía le proporciona derechos legales específicos, y puede tener otros derechos que pueden variar de un estado a otro. Para conocer los derechos legales de su estado, consulte con su oficina local de asuntos del consumidor o al procurador general de su estado.

Garantidor: General Electric Company, Louisville, KY 40225

Seguridad

Operación

Instalación

Solucionar problemas

Servicio al consumidor

Hoja de Datos de Funcionamiento

Sistema de Filtración GE SmartWater

Cartucho GWF

Comprobación de afirmación de salud Certificada por NSF/ANSI*
(Factores de 100% incorporados para la utilización no medida)

Estándar No. 42: Efectos estéticos						
Parámetros	USEPA MCL	Calidad del influente	Effluent		% de reducción	
			Promedio	Máximo	Promedio	Máximo
Cloro		1,9 ppm	0,02 ppm	0,05 ppm	98,90%	97,37%
T & O	–	–	–	–	–	–
Partículas**	–	200.000	3.978	7.800	98,00%	96,10%

Estándar No. 53: Efectos Relativos a la Salud						
Parámetros	USEPA MCL	Calidad del influente	Effluent		% de reducción	
			Promedio	Máximo	Promedio	Máximo
Turbidez	1 NTU***	24,3 NTU	0,07 NTU	0,1 NTU	99,71%	99,59%
Quistes	99,95% de reducción	105.750	26	55	99,97%	99,95%
Plomo a pH 6,5	15 ppb	160 ppb	1 ppb	1 ppb	99,37%	99,37%
Plomo a pH 8,5	15 ppb	150 ppb	1,8 ppb	4,3 ppb	98,80%	97,13%
Lindane	0,0002 ppm	0,00062 ppm	0,00005 ppm	0,00005 ppm	91,93%	91,93%
Atrazine	0,003 ppm	0,0084 ppm	0,002 ppm	0,003 ppm	76,19%	64,28%
2,4-D	0,100 ppm	0,272 ppm	0,0264 ppm	0,080 ppm	90,29%	70,58%
Asbestos	99%	690 MFL/ml	0,32 MFL/ml	1,2 MFL/ml	99,95%	99,82%

* Probado utilizando una tasa de flujo de 0,5 gpm (1,8927 l/min.); presión de 60 psig (4,218 Kg/cm²); pH de 7,5 ± 0,5; temp. de 20° ± 2,5°C

** Medición en partículas/ml

*** Unidades de turbidez Nefelométrica—NTU

Especificaciones de Operación

- Capacidad: certificada para hasta 300 galones (1135 litros); hasta un año
- Requerimientos de presión: 40–120 psi (2,8–8,2 bar), sin choque
- Temperatura: 33°–100°F (0,6°–38°C)
- Tasa de flujo: 0,5 gpm (1,9 lpm)

Requerimientos Generales de Instalación/Operación/Mantenimiento

- Lave el nuevo cartucho a la tasa máxima por 3 minutos para sacar el aire atrapado.
- Reemplace el cartucho cuando el flujo se haga muy lento.

Avisos Especiales

- Las instrucciones de instalación, las piezas, la información sobre la disponibilidad de servicio y la garantía estándar se incluyen con el producto al enviarlo.
- Este sistema de agua potable debe mantenerse conforme a las instrucciones del fabricante, incluyendo el reemplazo de los cartuchos.
- No se utiliza en los sitios donde el agua es de calidad microbiológicamente dudosa, ni con aguas de calidad desconocida, sin una desinfección adecuada antes o después del sistema; el sistema puede utilizarse con aguas desinfectadas que puedan contener quistes filtrables.
- Los contaminantes u otras sustancias que este sistema de tratamiento de agua puede remover o reducir, no están presentes, necesariamente, en su agua.
- Verifique el acatamiento de las leyes y reglamentos estatales y locales.

Probado y Certificado según las normas ANSI/NSF para la reducción de :

Estándar No. 42: Efectos Estéticos

Unidad química
Reducción del sabor y olor
Reducción de cloro, Clase I
Unidad de filtrado mecánico
Reducción de partículas, Clase I

Estándar No. 53: Efectos sobre la salud

Unidad de reducción química
Reducción del plomo y Atrazine
Reducción del Lindane y 2,4-D
Unidad de filtrado mecánico
Reducción de quistes
Reducción de turbidez



Hecho por
General Electric, Appliance Park, Louisville, KY 40225

Números de servicio.



GE Answer Center® 800.626.2000

El GE Answer Center® está abierto las 24 horas del día, los 7 días de la semana.

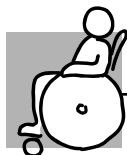
0

Visite nuestro sitio Web en www.GEAppliances.com



Reparaciones en su hogar 800-432-2737

Para reparar su aparato GE, sólo llame por teléfono.



Necesidades especiales 800.626.2000

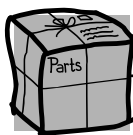
TDD 800-TDD-GEAC (800-833-4322)

GE le ofrece, sin costo, un folleto de ayuda en planear cocinas para personas limitadas en su movilidad.



Contratos de servicio 800-626-2224

Compre un contrato GE antes de que su garantía expire, y recibirá un descuento considerable. Así el servicio al consumidor GE estará allí aún después de que expire su garantía.



Partes y accesorios* 800-626-2002

Las personas calificadas para dar servicio a sus aparatos pueden recibir partes y accesorios (* incluyendo los filtros de agua) a sus hogares (se aceptan VISA, MasterCard y Discover).

Las instrucciones de mantenimiento para el usuario que contiene este manual, las puede realizar cualquier usuario. Otro tipo de servicios los deberá ejecutar un personal calificado. Tenga precaución, un servicio inadecuado puede ser causa de peligros en la operación.



Servicio satisfactorio

Si no quedara satisfecho con el servicio GE:

Primero, contacte las personas que le dieron servicio.

Después, si sigue insatisfecho, escriba todos los detalles—incluso su número de teléfono—a: Manager, Customer Relations, GE Appliances, Appliance Park, Louisville, KY 40225.

Seguridad

Operación

Instalación

Solucionar problemas

Servicio al consumidor

Consumer Support.



GE Appliances Website

www.GEAppliances.com

Have a question or need assistance with your appliance? Try the GE Appliances Website 24 hours a day, any day of the year! For greater convenience and faster service, you can now download Owner's Manuals, order parts, catalogs, or even schedule service on-line. You can also "Ask Our Team of Experts™" your questions, and so much more...



Schedule Service

www.GEAppliances.com

Expert GE repair service is only one step away from your door. Get on-line and schedule your service at your convenience 24 hours any day of the year! Or call 800-GE-CARES (800-432-2737) during normal business hours.



Real Life Design Studio

www.GEAppliances.com

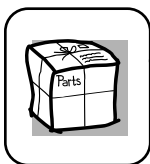
GE supports the Universal Design concept—products, services and environments that can be used by people of all ages, sizes and capabilities. We recognize the need to design for a wide range of physical and mental abilities and impairments. For details of GE's Universal Design applications, including kitchen design ideas for people with disabilities, check out our Website today. For the hearing impaired, please call 800-TDD-GEAC (800-833-4322).



Extended Warranties

www.GEAppliances.com

Purchase a GE extended warranty and learn about special discounts that are available while your warranty is still in effect. You can purchase it on-line anytime, or call 800-626-2224 during normal business hours. GE Consumer Home Services will still be there after your warranty expires.



Parts and Accessories

www.GEAppliances.com

Individuals qualified to service their own appliances can have parts or accessories sent directly to their homes (VISA, MasterCard and Discover cards are accepted). Order on-line today, 24 hours every day or by phone at 800-626-2002 during normal business hours.

Instructions contained in this manual cover procedures to be performed by any user. Other servicing generally should be referred to qualified service personnel. Caution must be exercised, since improper servicing may cause unsafe operation.



Contact Us

www.GEAppliances.com

If you are not satisfied with the service you receive from GE, contact us on our Website with all the details including your phone number, or write to: General Manager, Customer Relations
GE Appliances, Appliance Park
Louisville, KY 40225



Register Your Appliance

www.GEAppliances.com

Register your new appliance on-line—at your convenience! Timely product registration will allow for enhanced communication and prompt service under the terms of your warranty, should the need arise. You may also mail in the pre-printed registration card included in the packing material, or detach and use the form in this Owner's Manual.